



# Spare Parts List

## M96A.24SM/B

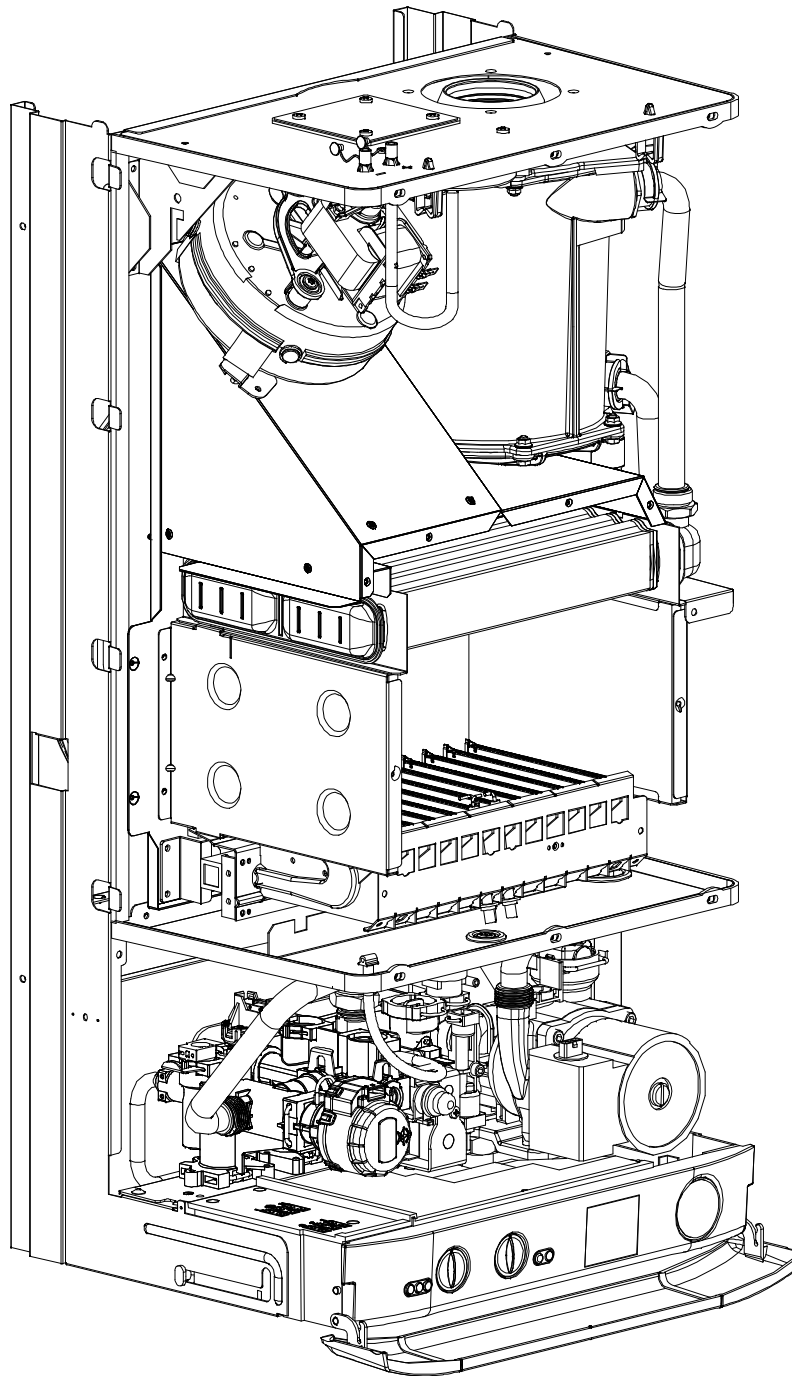
## M96A.28SM/B

### Issue 04/2015

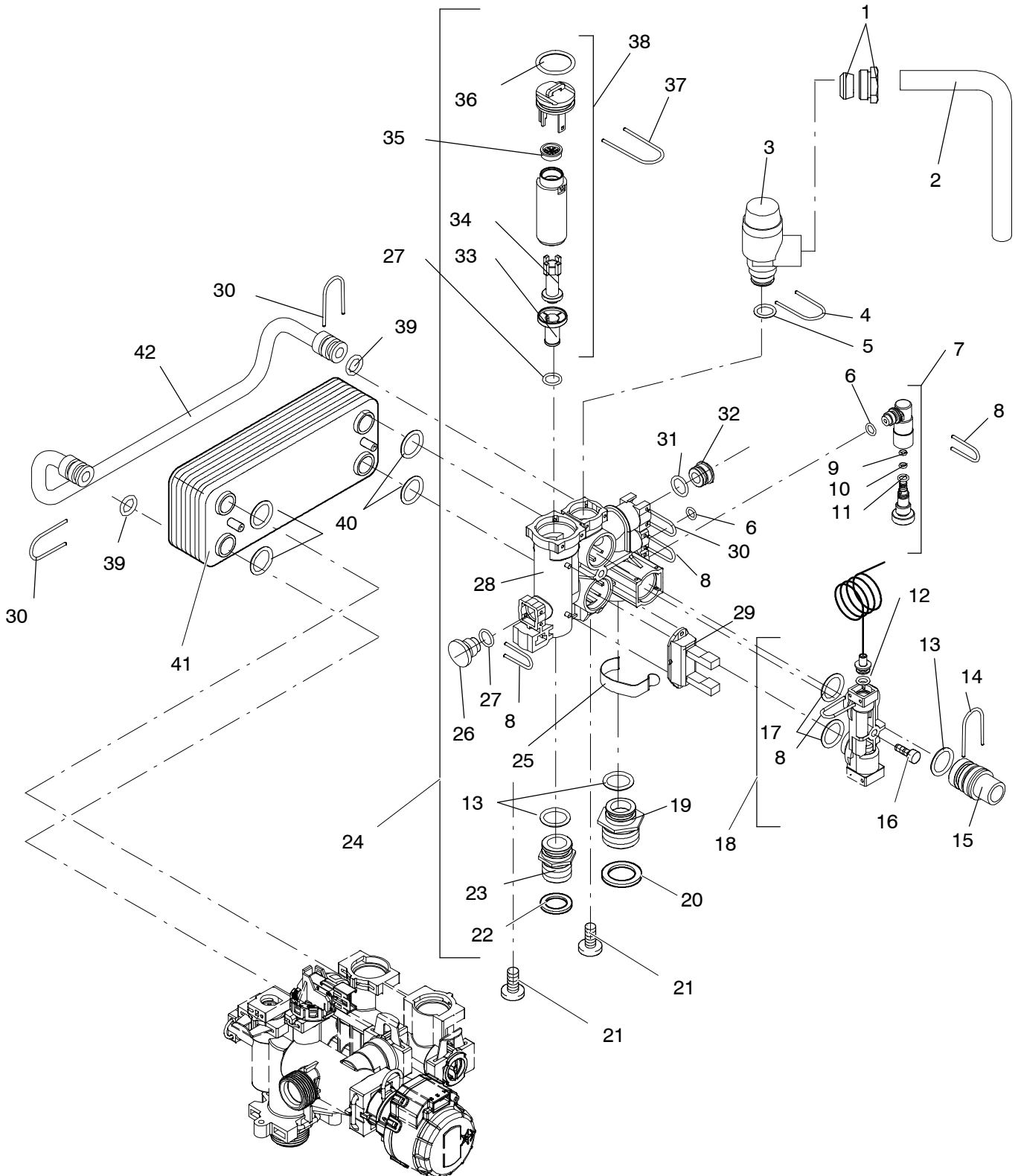
Table description	Issue	n. of pages
Overall view	09/2008	1
C.h. return group and d.h.w. heat exchanger	09/2008	1
C.h. flow group and three way diverter valve	05/2012	1
Pump and main circuit assembly up to serial no. N025650410	04/2015	1
Pump and main circuit assembly from serial no. N025660410	04/2015	1
Gas assembly	09/2008	1
Valves and connection pipes	09/2008	1
Control panel and ignition device	09/2008	1
Wiring up to serial no. N025650410	07/2010	1
Wiring from serial no. N025660410	07/2010	1
Fan, combustion chamber and case panels	09/2008	1
List of parts	04/2015	9

Overall view

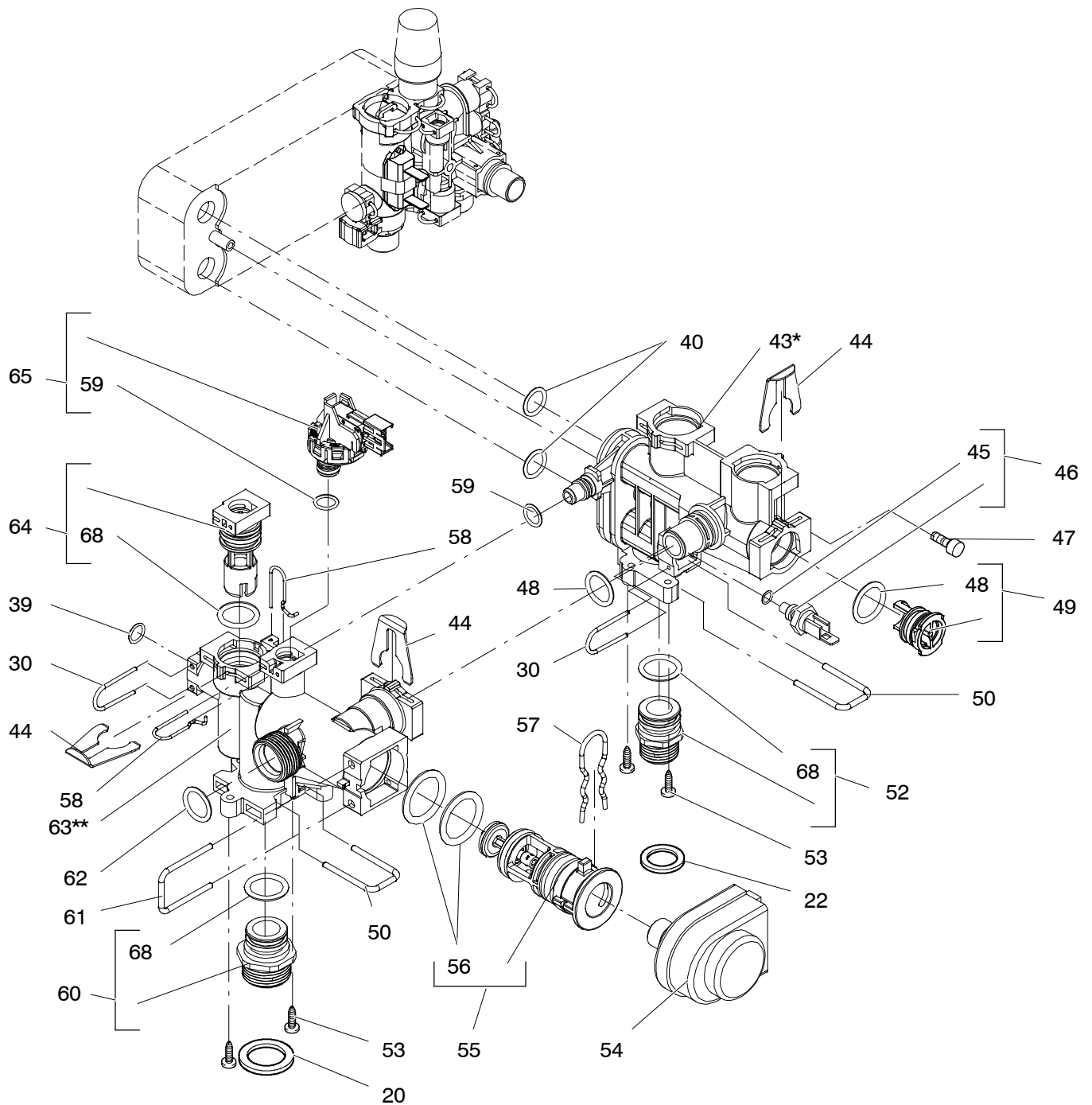
DATA BADGE: inner side of left case panel



C.h. return group and d.h.w. heat exchanger



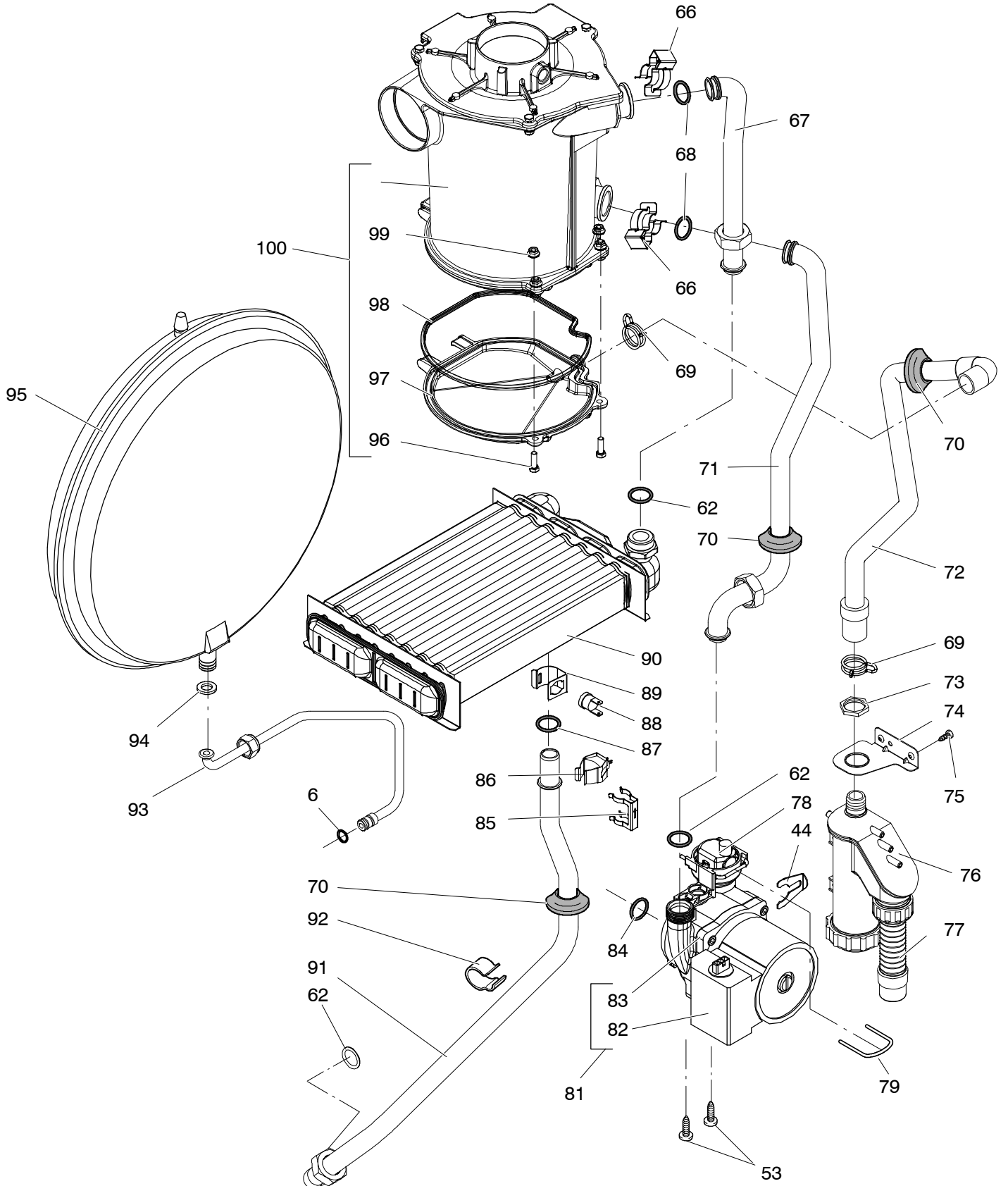
C.h. flow group and three way diverter valve



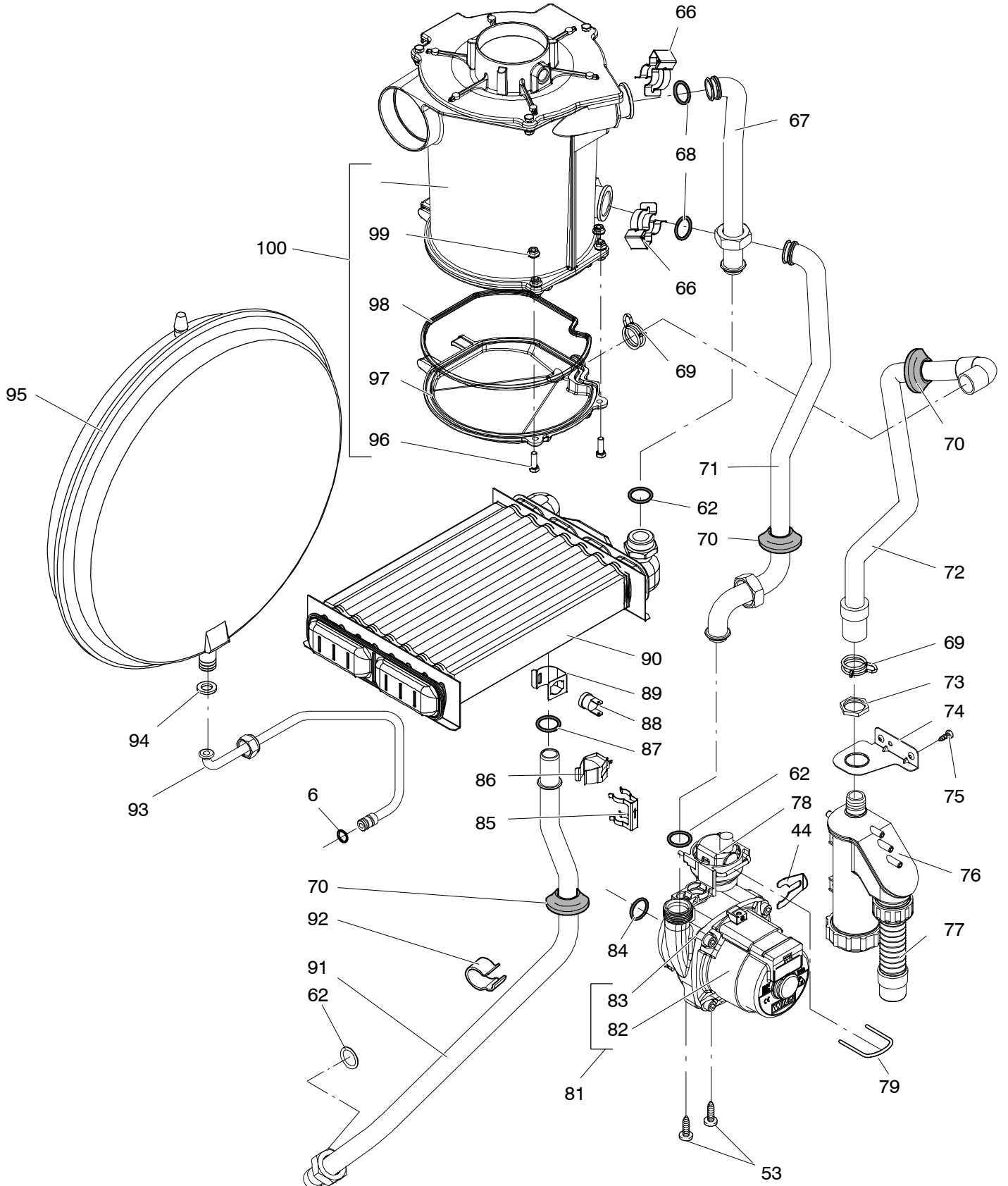
\* Includes items 40, 45, 48, 68, 59

\*\* Includes items 62, 39, 48, 68, 56, 59

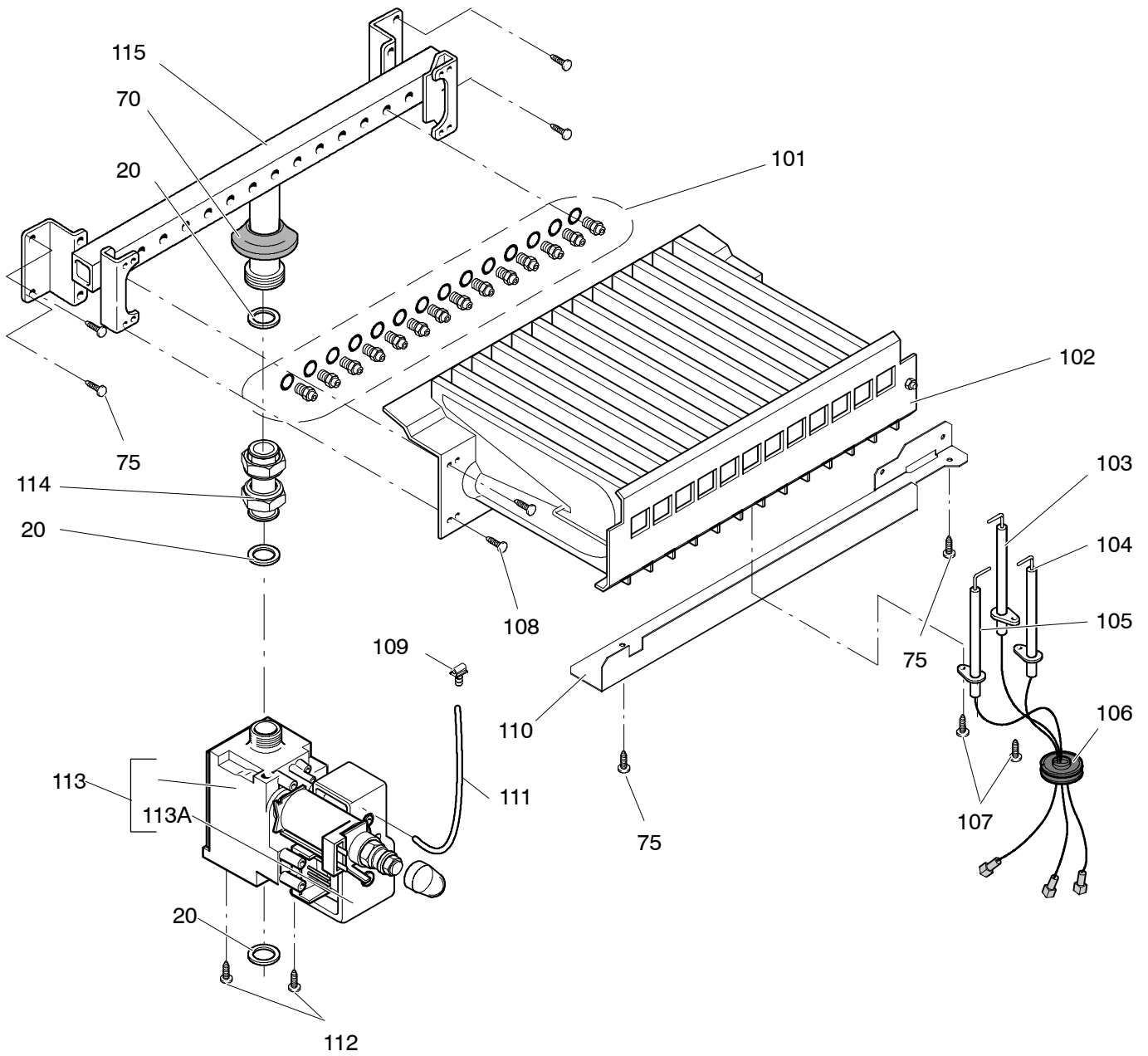
Pump and main circuit assembly up to serial no. N025650410



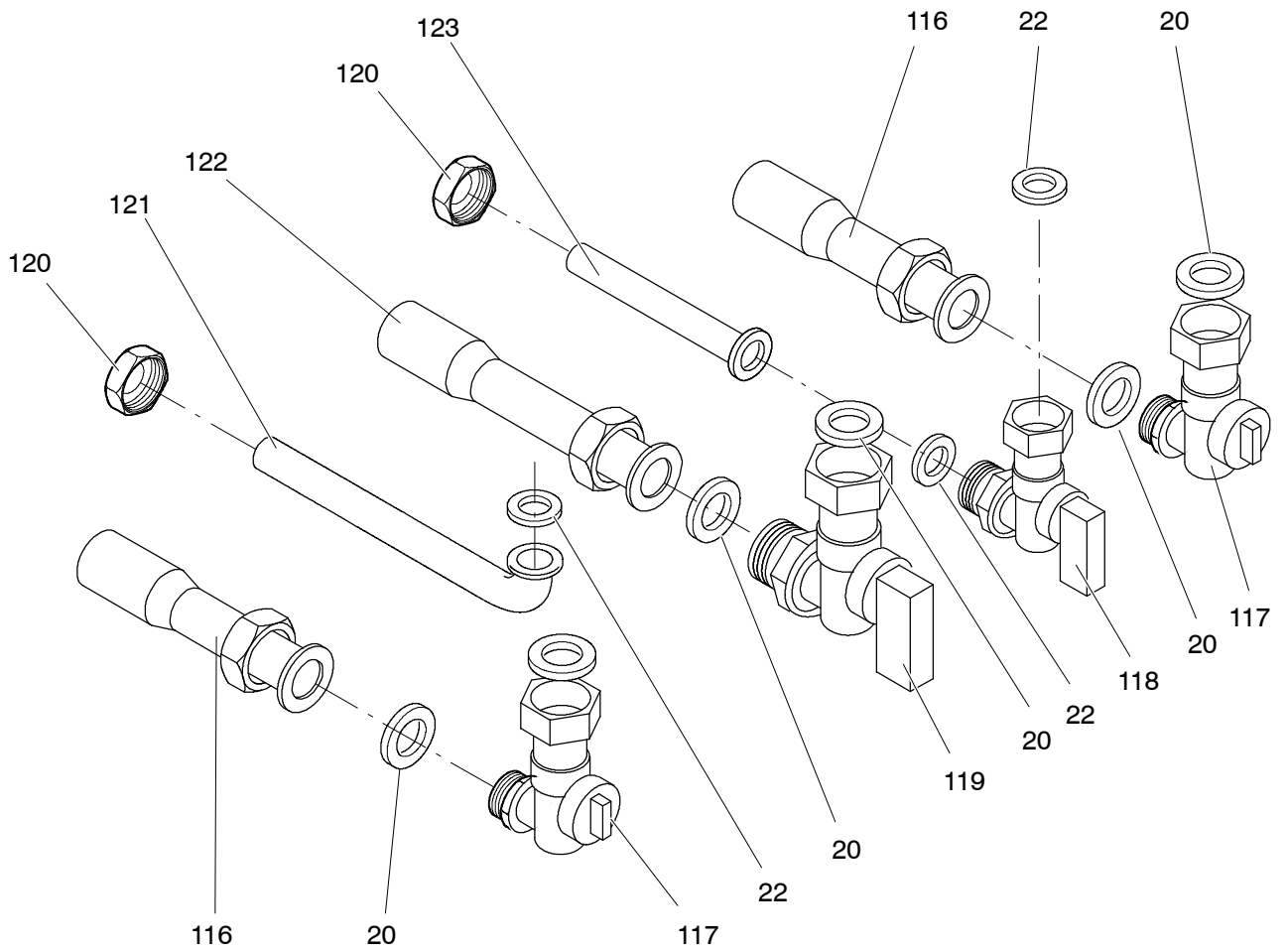
Pump and main circuit assembly from serial no. N025660410



Gas assembly

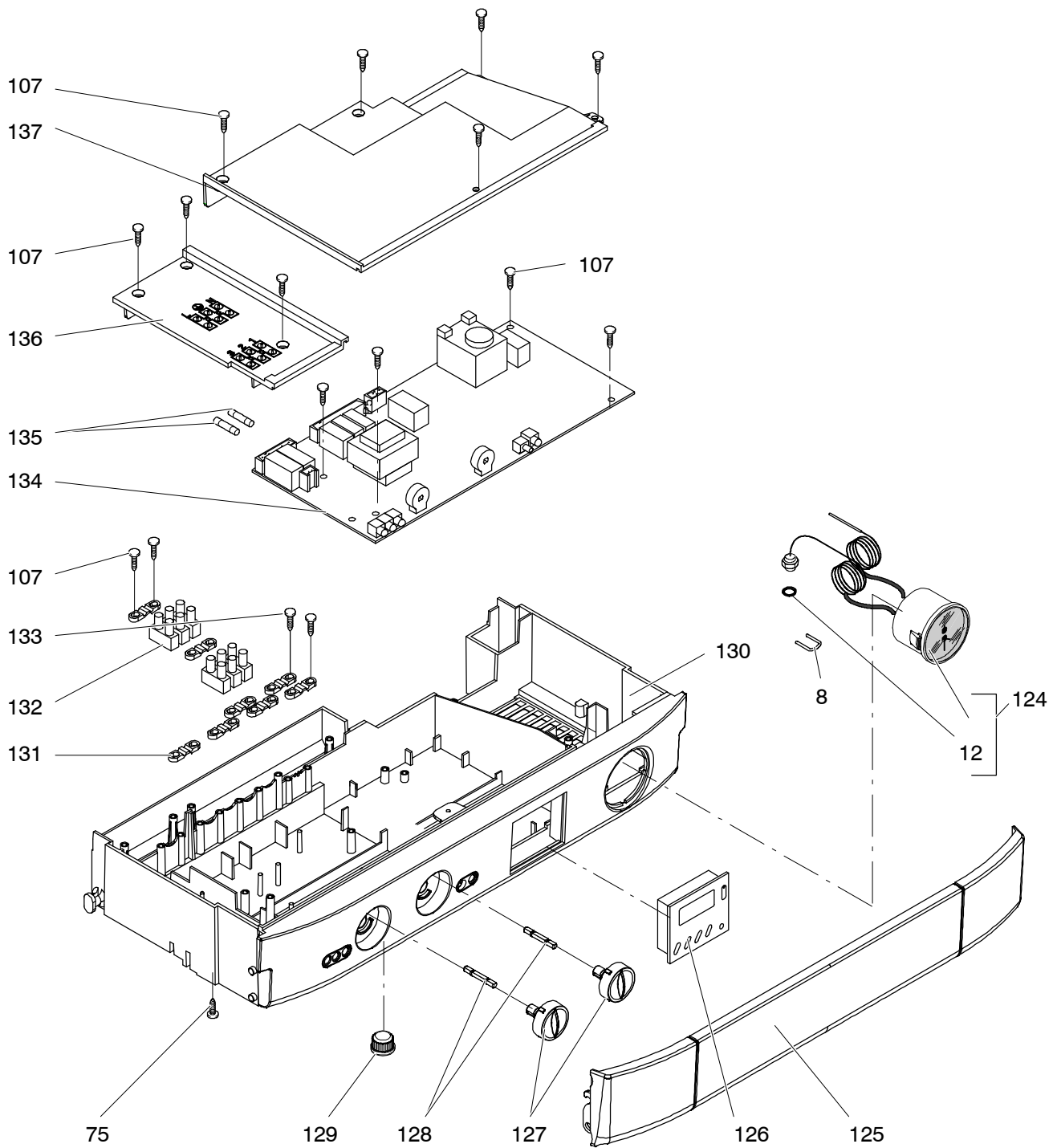


Valves and connection pipes

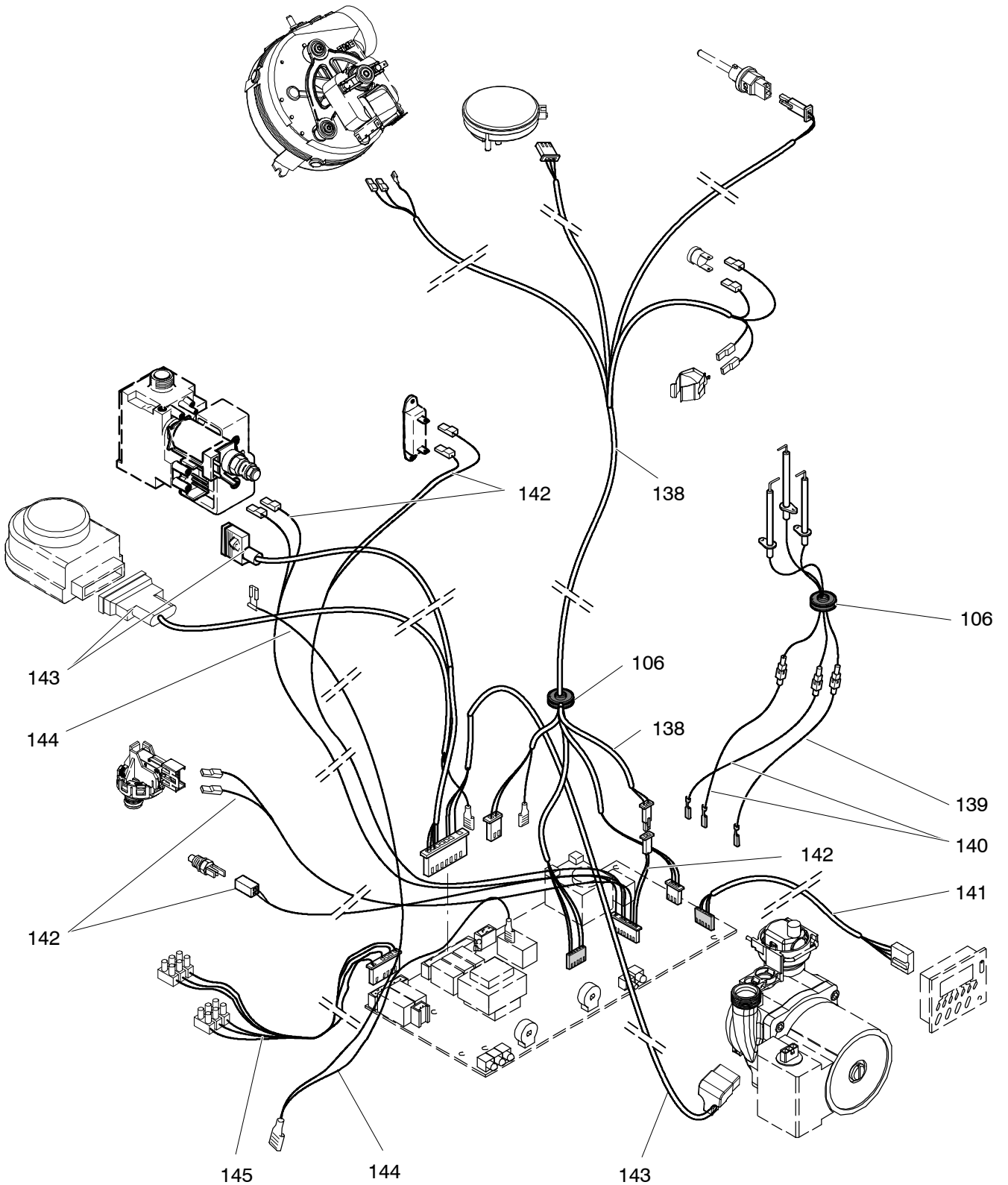




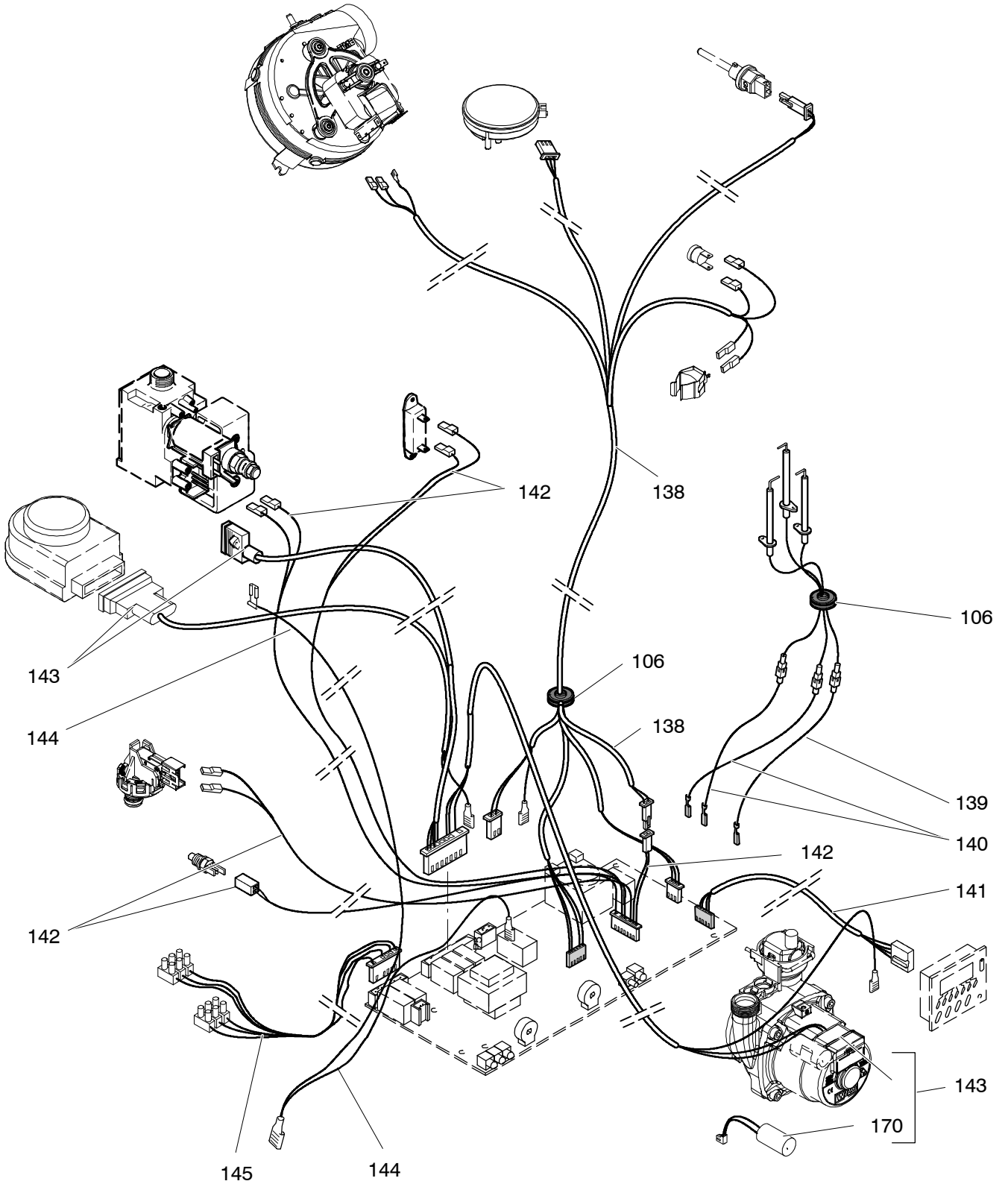
Control panel and ignition device



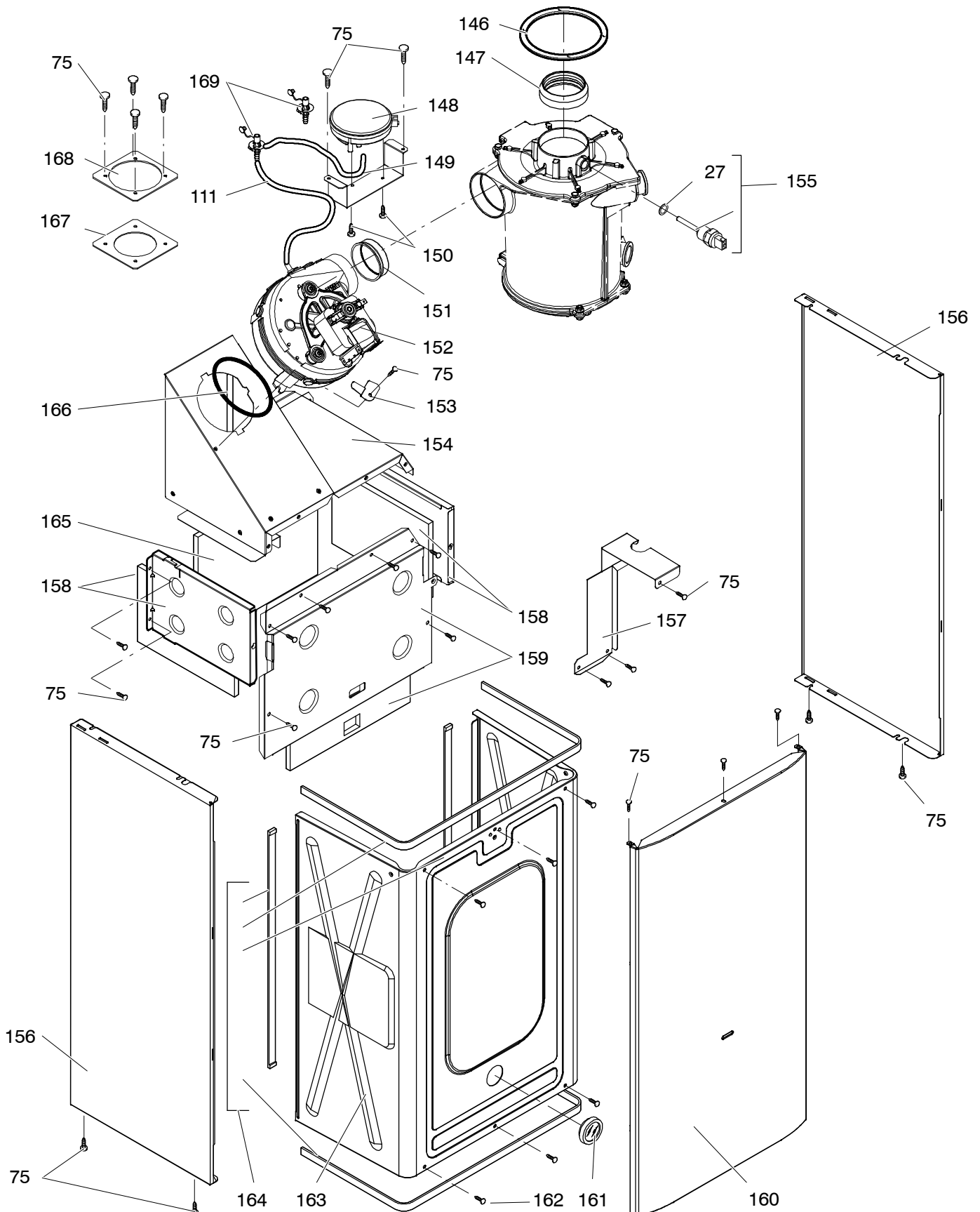
Wiring up to serial no. N025650410



Wiring from serial no. N025660410



Fan, combustion chamber and case panels



# DRAFT BRITISH GAS PART LIST

Date \_\_\_\_\_  
 Sheet  1  of  9   
 Manufacturer  Biasi SpA – Italy   
 Appliance(s)  M96A.24SM/B, M96A.28SM/B   
 GC Appliance Number(s)  47–583–15, 47–583–16   
 Contract Name \_\_\_\_\_  
 Telephone Number \_\_\_\_\_

(a)	(b)	(c)	(d)	(e)	(f)	(g)	(h)	(i)	(j)	(k)
Key no.	GC Part Number	Description	No. Off	Makers part number which have a CG number	Maker's old part number which have since been changed	Maker's new part number which DO NOT have a GC number	M B F	Original Supplier	Original Supplier part number	Retail price excl. VAT
		Position of data badge: inner side of left case panel								
		Instructions booklets set up to serial no. N025650410	1			BI1913 512	M			
		Instructions booklets set from serial no. N025660410	1			BI1913 521	M			
1	E23–759	Safety valve connection	1	BI1001 127			M			
2	H05–158	Safety valve connection pipe	1	BI1131 106			M			
3	H50–189	Safety valve 3 bar	1	BI1181 100			B	Watts Intermes	3 bar	
4	H50–480	Fork P.18,5	1	BI1181 101			M			
5	H50–481	O–ring gasket 2,62x15,08	1	BI1181 102			M			
6	H50–484	O–ring gasket 1,78x7,66	2	BI1182 108			M			
7	H50–398	Drainage valve	1	BI1181 501			M			
8	H50–473	Fork P.10,5	4	BI1181 107			M			
9	169–050	O–ring gasket 1,78x2,9	1	KI1043 145			M			
10	H50–488	O–ring gasket 1,78x3,69	1	BI1181 120			M			
11	169–014	O–ring gasket 1,78x6,07	1	KI1002 119			M			
12	E83–144	O–ring gasket 1,78 x 6,75	1	BI1475 119			M			
13	H50–467	O–ring gasket 2,62x17,13	3	BI1181 112			M			
14	169–026	Fork P.20.5	1	KI1031 101			M			
15	H50–487	Pump connection	1	BI1301 102			M			
16	H58–648	Screw M5x55 – Hexagon socket cap	1	BI1301 105			M			
17	H74–525	O–ring gasket 3x17	2	KI1003 114			M			
18	H50–491	Filling group kit	1	BI1181 507			M			
19	H50–470	Threaded connection c.h.	1	BI1181 114			M			
20	169–033	Flat gasket 3/4"	9	BI1001 108			M			
21	402–325	Screw M6x10 – BZP RPH	2	BI1172 115			F			
22	169–141	Gasket 1/2"	3	BI1001 106			M			

# CONTINUATION SHEET

Sheet 2 of 9

Appliance number(s) 47-583-15, 47-583-16

(a)	(b)	(c)	(d)	(e)	(f)	(g)	(h)	(i)	(j)	(k)
Key no.	GC Part Number	Description	No. Off	Makers part number which have a CG number	Maker's old part number which have since been changed	Maker's new part number which DO NOT have a GC number	M B F	Original Supplier	Original Supplier part number	Retail price excl. VAT
23	H50-468	Threaded connection d.h.w.	1	BI1181 115			M			
24	H50-492	Return group kit up to serial no. N025650410	1	BI1301 501			M			
		Return group kit from serial no. N025660410	1			BI1411 501	M			
25	H50-471	Reed fixing clip	1	BI1181 116			M			
26	H50-478	Return proup plug	1	BI1181 117			M			
27	H50-475	O-ring gasket 1,78x10,82	3	BI1181 110			M			
28	H50-399	Return group kit up to serial no. N025650410	1	BI1301 100			M			
		Return group kit from serial no. N025660410	1			BI1411 100	M			
29	169-010	D.h.w. flow switch	1	KI1042 107			M			
30	169-015	Fork P.14	3	KI1042 101			M			
31	E00-668	O-ring gasket 1,78x12,42	1	BI1001 115			M			
32	H50-482	Return proup plug	1	BI1181 104			M			
33	H50-490	Filter	1	BI1181 106			M			
34	169-008	Float	1	KI1042 106			M			
35	H58-649	Flow limiter 10 Litres/min	1	BI1301 103			M			
35 A	H74-526	Flow limiter 14 Litres/min	1	BI1301 106			M			
36	E00-680	O-ring gasket 2,62x23,47	1	BI1011 107			M			
37	H50-479	Fork P.20	1	BI1181 103			M			
38	H50-400	Magnetic flow switch and filter kit	1	BI1181 500			M			
39	164-036	O-ring gasket 2,62x10,78	1	KI1002 121			M			
40	169-060	O-ring gasket 18,64x3,53	4	KI1043 144			M			
41	E01-204	Exchanger DHW - M96A.24SM/B,	1	BI1001 101			M			
41 A	E01-205	Exchanger DHW - M96A.28SM/B,	1	BI1001 102			M			
42	H74-607	By-pass pipe	1	BI1301 107			M			
43	H74-527	Flow group kit d.h.w. up to serial no. N025650410	1	BI1351 100			M			

# CONTINUATION SHEET

Sheet 3 of 9

Appliance number(s) 47-583-15, 47-583-16

(a)	(b)	(c)	(d)	(e)	(f)	(g)	(h)	(i)	(j)	(k)
Key no.	GC Part Number	Description	No. Off	Makers part number which have a CG number	Maker's old part number which have since been changed	Maker's new part number which DO NOT have a GC number	M B F	Original Supplier	Original Supplier part number	Retail price excl. VAT
		Flow group kit d.h.w. from serial no. N025660410	1			BI1421 100	M			
44	H20-987	Pump connection fork	1	BI1262 116			M			
45	169-017	O-ring gasket 1,9x5,7	1	KI1042 102			M			
46	169-016	Temperature probe NTC d.h.w.	1	KI1042 501			M			
47	H74-528	Screw M5x35 - Hexagon socket cap	1	BI1351 101			F			
48	H74-529	O-ring gasket 2,62x15,54	2	BI1351 102			M			
49	H74-530	Flow group kit d.h.w. plug	1	BI1351 103			M			
50	H74-531	Fork P21,6	2	BI1351 104			M			
52	H74-533	Threaded connection d.h.w.	1	BI1351 106			M			
53	H74-534	Tapping screw 5x12	4	BI1351 107			F			
54	H74-535	Diverter valve actuator	1	BI1351 108			M			
55	H74-536	Diverter valve kit	1	BI1351 109			M			
56	E00-680	O-ring gasket 2,62x23,47	2	BI1011 107			M			
57	H74-538	Diverter valve actuator fixing spring	1	BI1351 111			M			
58	H74-539	Fork P11	2	BI1351 112			M			
59	H74-540	O-ring gasket 1,90x8,90	1	BI1351 113			M			
60	H74-541	Threaded connection c.h.	1	BI1351 114			M			
61	H74-542	Fork P26	1	BI1351 115			M			
62	H20-981	O-ring gasket 2X17	2	BI1262 114			M			
63	H74-543	Flow group kit c.h. up to serial no. N025650410	1	BI1351 116			M			
		Flow group kit c.h. from serial no. N025660410	1			BI1421 101	M			
64	H74-544	By-pass kit	1	BI1351 117			M			
65	H74-545	Primary circuit pressure switch	1	BI1351 118			M			
66	H58-664	Condensing heat exchanger connection clip	2	BI1432 106			M			
67	H74-546	Condensing heat exchanger outlet pipe	1	BI1442 100			M			

# CONTINUATION SHEET

Sheet 4 of 9

Appliance number(s) 47-583-15, 47-583-16

(a)	(b)	(c)	(d)	(e)	(f)	(g)	(h)	(i)	(j)	(k)
Key no.	GC Part Number	Description	No. Off	Makers part number which have a CG number	Maker's old part number which have since been changed	Maker's new part number which DO NOT have a GC number	M B F	Original Supplier	Original Supplier part number	Retail price excl. VAT
68	H20-970	O-ring gasket 2,62x17.86	2	BI1262 112			M			
69	H20-972	Connection spring	2	BI1262 117			F			
70	169-104	Grommet	4	BI1002 113			M			
71	H74-547	Condensing heat exchanger inlet pipe	1	BI1442 101			M			
72	H74-548	Condensate discharge pipe	1	BI1442 102			M			
73	169-142	Lock-nut	1	KI1005 107			M			
74	H74-549	Condensate trap holder bracket	1	BI1442 103			M			
75	409-722	Tapping Screw ISO No8 B 4,2x9,5 Recessed Pan Head	34	BI1013 110			F			
		Hardened Steel BS4174 Bright Zinc plate BS1706 Clear								
		Passivated								
76	H74-550	Condensate trap	1	BI1442 104			M			
77	H74-551	Condensate connection hose	1	BI1442 105			M			
78	H20-986	Automatic air purger valve	1	BI1212 107			M			
79	H20-990	Fork	1	BI1262 120			M			
81	H58-670	Pump (complete) up to serial no. N025650410	1	BI1911 103			M	Wilo	NFSL12/6HEP1 CRF9 83W	
		Pump (complete) from serial no. N025660410	1			BI1542 100	M	Wilo	INTNFSL12/6HEP1 83W	
82	H20-994	Pump (motor) up to serial no. N025650410	1	BI1262 119			B			
		Pump (motor) from serial no. N025660410	1			BI1542 101	B			
83	E83-114	Pump gasket	1	BI1172 113			M			
84	H20-945	O-ring gasket 17,04x4,00	5	BI1212 112			M			
85	E94-737	Main exchanger connection clip	1	BI1182 106			M			
86	H74-553	Spring mounting temperature probe	1	BI1442 106			M			
87	169-025	O-ring gasket 17,04x3,53	1	KI1043 114			M			
88	E83-101	Overheat thermostat	1	BI1172 105			B	Elth	261 105°C	
89	E94-723	Overheat thermostat fixing clip	1	BI1182 100			M			



# CONTINUATION SHEET

Sheet 5 of 9

Appliance number(s) 47-583-15, 47-583-16

(a)	(b)	(c)	(d)	(e)	(f)	(g)	(h)	(i)	(j)	(k)
Key no.	GC Part Number	Description	No. Off	Makers part number which have a CG number	Maker's old part number which have since been changed	Maker's new part number which DO NOT have a GC number	M B F	Original Supplier	Original Supplier part number	Retail price excl. VAT
90	H20-984	Main exchanger M96A.24SM/B	1	BI1262 101			M			
90 A	H45-158	Main exchanger M96A.28SM/B	1	BI1262 130			M			
91	H74-555	Main exchanger outlet pipe	1	BI1442 110			M			
92	169-045	Probe holder	1	BI1105 108			M			
93	H63-536	Expansion vessel connection pipe	1	BI1432 110			M			
94	H03-727	Flat gasket 3/8" O.D 15 mm, i.d. 8.5 mm	2	BI1202 105			M			
95	E83-121	Expansion vessel	1	BI1172 103			B	CIMM Srl - Castello di Godego Italy	CP387 6L	
								Zilmet - Italy (alternative)	13C0000600	
96	H74-556	Screw M5x16 mm Hexagon head	1	BI1442 112			F			
97	H74-557	Condensing heat exchanger bottom cover	1	BI1442 109			M			
98	H74-560	Condensing heat exchanger gasket	1	BI1442 108			M			
99	H74-562	Flanged nut M5 Hexagon	1	BI1442 111			F			
100	H74-563	Condensing heat exchanger	1	BI1442 107			M			
101	169-069	Injectors with gaskets 130 - NG	14	KI1064 505			B	Polidoro		
101 A	169-070	Injectors with gaskets 77 - LPG	14	KI1064 506			B	Polidoro		
102	173-148	Burner M96A.24SM/B	1	KI1004 102			B	Polidoro		
102 A	173-149	Burner M96A.28SM/B	1	KI1004 147			B	Polidoro		
103	E83-122	Detection electrode	1	BI1123 102			M			
104	E83-126	Ignition electrode - right	1	BI1123 103			M			
105	E83-127	Ignition electrode - left	1	BI1123 101			M			
106	169-125	Grommet	1	BI1002 115			M			
107	409-736	Tapping screw 3,5x9,5 recessed pan head	28	BI1013 115			F			
108	409-531	Taptite screw M4x8 Recessed pan head Hardened steel	4	BI1013 111			F			
		Bright Zinc Plated BS3382 Clear passivated and lanolin								
		Dipped								

# CONTINUATION SHEET

Sheet 6 of 9

Appliance number(s) 47-583-15, 47-583-16

(a)	(b)	(c)	(d)	(e)	(f)	(g)	(h)	(i)	(j)	(k)
Key no.	GC Part Number	Description	No. Off	Makers part number which have a CG number	Maker's old part number which have since been changed	Maker's new part number which DO NOT have a GC number	M B F	Original Supplier	Original Supplier part number	Retail price excl. VAT
109	H74-564	Compensating pressure sampling terminal	1	BI1213 105			M			
110	H74-565	Air deflector	1	BI1213 104			M			
111	E83-188	Fan pressure connection tube	1	BI1256 101			M			
112	402-124	Machine Screw M4x8 mm Recessed pan head Mild steel	2	BI1013 114			F			
		BS4183 Bright zinc plate BS3382 Clear passiv.								
113	H03-746	Gas valve	1	BI1193 105			B	Sit	0.845.083	
113 A	H08-602	Gas valve on-off operator coils		BI1093 107			B	Sit	0.967.158	
114	H21-019	Gas pipe to the manifold	1	BI1213 100			M			
115	E83-131	Gas manifold with injectors NG M96A.24SM/B	1	BI1183 103			B	Polidoro		
115 A	E83-132	Gas manifold with injectors LPG M96A.24SM/B	1	BI1183 104			B	Polidoro		
115 B	E83-133	Gas manifold with injectors NG M96A.28SM/B	1	BI1183 105			B	Polidoro		
115 C	E83-134	Gas manifold with injectors LPG M96A.28SM/B	1	BI1183 106			B	Polidoro		
116	H21-025	C.h. connection pipe	2	BI1124 100			M			
117	E83-136	Tap 3/4" - c.h.	2	BI1084 105			B			
118	E83-137	Tap 1/2" - d.h.w.	1	BI1084 101			B			
119	E83-138	Tap 3/4" - gas	1	BI1084 100			B			
120	E01-226	Nut 1/2"	2	BI1004 101			M			
121	H21-027	Pipe 15 mm dia (bent) d.h.w.	1	BI1124 102			M			
122	H21-025	Pipe 22 mm dia gas	1	BI1124 100			M			
		(replacement for discontinued BI1014 112)								
123	H21-030	Pipe 15 mm dia (straight) d.h.w.	1	BI1124 103			M			
124	E83-145	Temperature-pressure gauge	1	BI1475 108			M			
125	E94-886	Cover panel M96A.24SM/B, M96A.28SM/B	1	BI1535 100			M			
126	E94-738	Time switch M96A.24SM/B, M96A.28SM/B	1	BI1525 101			B	Flash	Monotron 200 23011	
127	E94-887	Knob M96A.24SM/B, M96A.28SM/B	2	BI1535 101			M			

# CONTINUATION SHEET

Sheet 7 of 9

Appliance number(s) 47-583-15, 47-583-16

(a)	(b)	(c)	(d)	(e)	(f)	(g)	(h)	(i)	(j)	(k)
Key no.	GC Part Number	Description	No. Off	Makers part number which have a CG number	Maker's old part number which have since been changed	Maker's new part number which DO NOT have a GC number	M B F	Original Supplier	Original Supplier part number	Retail price excl. VAT
128	E83-149	Shaft	2	BI1475 105			M			
129	E83-150	Control panel plug	1	BI1475 110			M			
130	H38-981	Control panel box M96A.24SM/B, M96A.28SM/B	1	BI1715 101			M			
131	E83-152	Cable holder.	10	KI1066 208			B	Fastpoint S.r.l.	1207.BB01 XS	
132	E83-153	Terminal block	2	BI1475 109			B	Elettrogibi	PA27	
								Odoardo Korner (alternative)	OK-433-FV	
133	409-727	Screw 3,5x16 mm self tap RPH	8	BI1165 101			F			
134	H74-566	Electronic control - ignition p.c.b.	1	BI2015 100			M			
135	H44-170	Fuse 3,15AF	2	BI1295 108			B			
136	E83-155	Service panel cover	1	BI1475 111			M			
137	E83-156	Control panel cover	1	BI1475 112			M			
138	H74-567	Fan cable	1	BI2025 100			M			
139	H46-365	Flame detection electrode cable	1	BI1765 115			M			
140	H32-570	Ignition electrode cable	2	BI1765 102			M			
141	H74-569	Time switch cable up to serial no. N050511108	1	BI2025 102			M			
	E83-163	Time switch cable from serial no. N050521108	1	BI1485 111			M			
142	H74-570	Flow switches, temp. probes and modulator cable	1	BI2025 101			M			
143	H74-571	Pump-diverter valve-gas valve cable up to serial no. N025650410	1	BI2025 103			M			
		Pump-diverter valve-gas valve cable from serial no. N025660410	1			BI2175 100	M			
144	H74-572	Earth wiring	1	BI1765 121			M			
145	H39-041	Power supply and external control cable	1	BI1675 106			M			
146	169-110	Flue pipe gasket	1	BI1016 104			M			
147	H74-575	Flue outlet gasket	1	BI1536 101			M			

# CONTINUATION SHEET

Sheet 8 of 9

Appliance number(s) 47-583-15, 47-583-16

(a)	(b)	(c)	(d)	(e)	(f)	(g)	(h)	(i)	(j)	(k)
Key no.	GC Part Number	Description	No. Off	Makers part number which have a CG number	Maker's old part number which have since been changed	Maker's new part number which DO NOT have a GC number	M B F	Original Supplier	Original Supplier part number	Retail price excl. VAT
148	H74-576	Air pressure sensor	1	BI1536 103			B	Huba Control	401.93000	
149	E01-187	Flue pressure switch tube	1	BI1016 107			M			
150	E23-759	Screw 2,9x4,5 Recessend Pan Head Hardened Steel	2	BI1002 127			F			
		BS4174 Bright Zinc plate BS1706 Clear Passivated								
151	H74-577	Fan outlet gasket	1	BI1536 102			M			
152	H74-578	Fan M96A.24SM/B	1	BI1536 105			B	FIME	GR03630 47W	
152 A	H74-580	Fan M96A.28SM/B	1	BI1536 106			B	FIME	GR03625 60W	
153	H74-583	Fan holder bracket	1	BI1536 107			M			
154	H74-584	Flue hood M96A.24SM/B	1	BI1536108			M			
154 A	H74-585	Flue hood M96A.28SM/B	1	BI1536 109			M			
155	H74-589	Flue temperature probe NTC	1	BI1536 104			M			
156	H21-052	Side case panel M96A.24SM/B, M96A.28SM/B	2	BI1406 106			M			
157	H74-590	Air deflector - right	1	BI1536 112			M			
158	E83-178	Combustion chamber side panel	2	BI1326 100			M			
159	H74-591	Combustion chamber front panel M96A.24SM/B	1	BI1536 110			M			
159 A	H74-592	Combustion chamber front panel M96A.28SM/B	1	BI1536 111			M			
160	H21-057	Front case panel M96A.24SM/B, M96A.28SM/B	1	BI1406 107			M			
161	E69-243	Window (glass + rubber frame)	1	BI1206 118			M			
162	409-747	Screw 4,8x13 mm AB self tapping RPH BZP	4	BI1336 114			F			
163	H21-059	Sealed chamber lid	1	BI1406 105			M			
164	H21-060	Sealed chamber gaskets kit	1	BI1406 500			M			
165	E83-180	Combustion chamber rear panel M96A.24SM/B	1	BI1326 107			M			
165 A	E83-181	Combustion chamber rear panel M96A.28SM/B	1	BI1326 108			M			
166	H21-063	Fan inlet gasket	1	BI1406 111			M			
167	H21-070	Air restrictor d. 50	1	BI1406 115			M			

# CONTINUATION SHEET

Sheet 9 of 9

Appliance number(s) 47-583-15, 47-583-16

(a)	(b)	(c)	(d)	(e)	(f)	(g)	(h)	(i)	(j)	(k)
Key no.	GC Part Number	Description	No. Off	Makers part number which have a CG number	Maker's old part number which have since been changed	Maker's new part number which DO NOT have a GC number	M B F	Original Supplier	Original Supplier part number	Retail price excl. VAT
167	A H21-071	Air restrictor d. 55	1	BI1406 116			M			
168	E01-184	Gasket - Air intake twin kit	1	BI1016 101			M			
169	H74-593	Air switch pressure test point	2	BI1536 100			M			
170		Pump capacitor	1			BI2175 101	M			