



Spare Parts List

M90E.24S

M90E.28S

M90E.32S

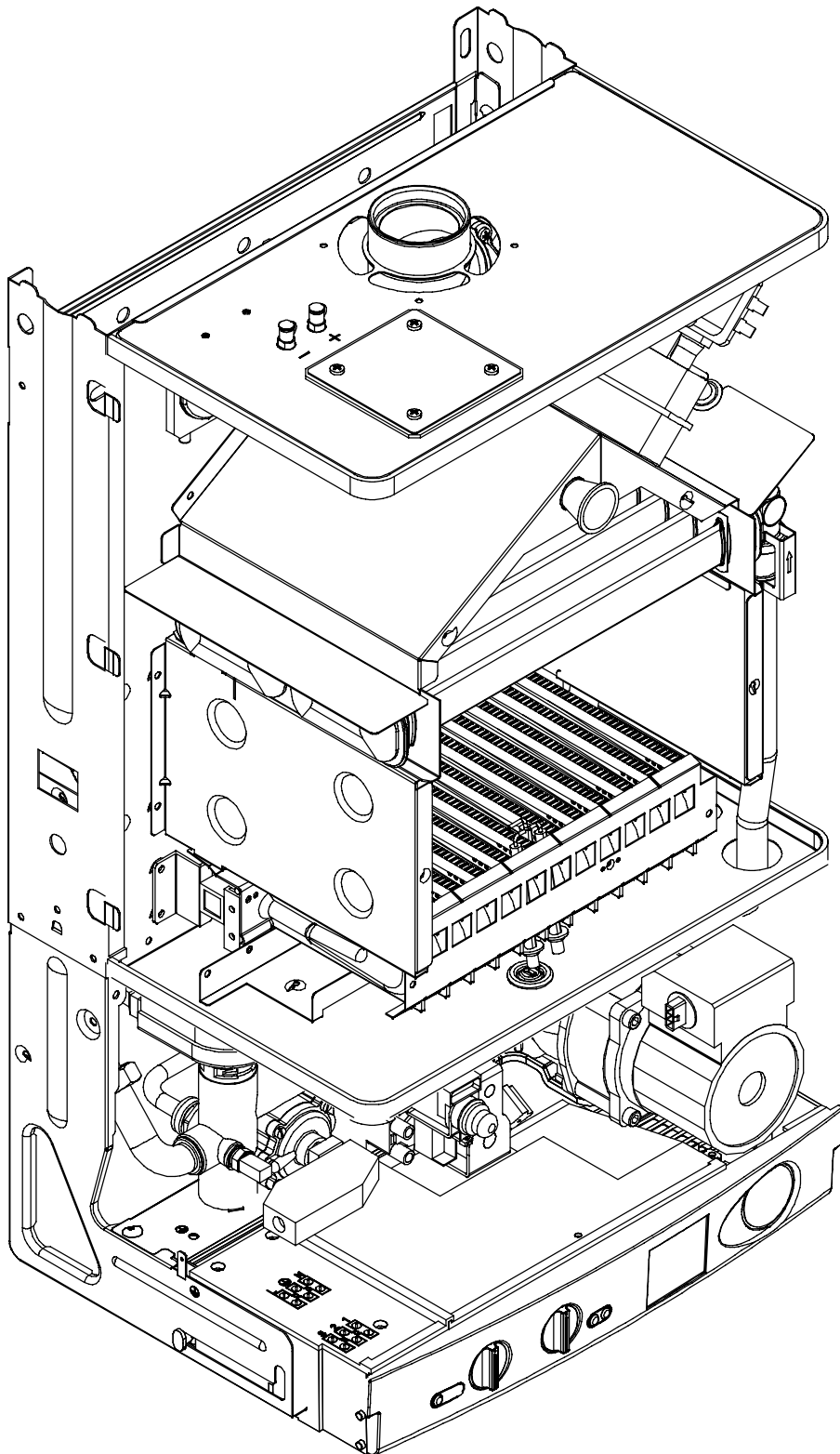
Issue 04/2006

Table description	Issue	n. of pages
Overall view	06/2003	1
C.h. return group and d.h.w. heat exchanger	05/2004	1
C.h. flow group and three way diverter valve	05/2004	1
Pump and main circuit assembly up to serial no. N024590604	05/2004	1
Pump and main circuit assembly from serial no. N024600604	05/2004	1
Gas assembly	09/2003	1
Valves and connection pipes	06/2003	1
Control panel and ignition device	06/2003	1
Wiring	06/2003	1
Fan, combustion chamber and case panels M90E.24S up to serial no. N238421202 M90E.28S up to serial no. N241681202	12/2002	1
Fan, combustion chamber and case panels M90E.24S from serial no. N238431202 M90E.28S from serial no. N241691202	06/2003	1
List of parts	04/2006	12

M90E.24S
M90E.28S
M90E.32S

47-970-17
47-970-18
47-970-21

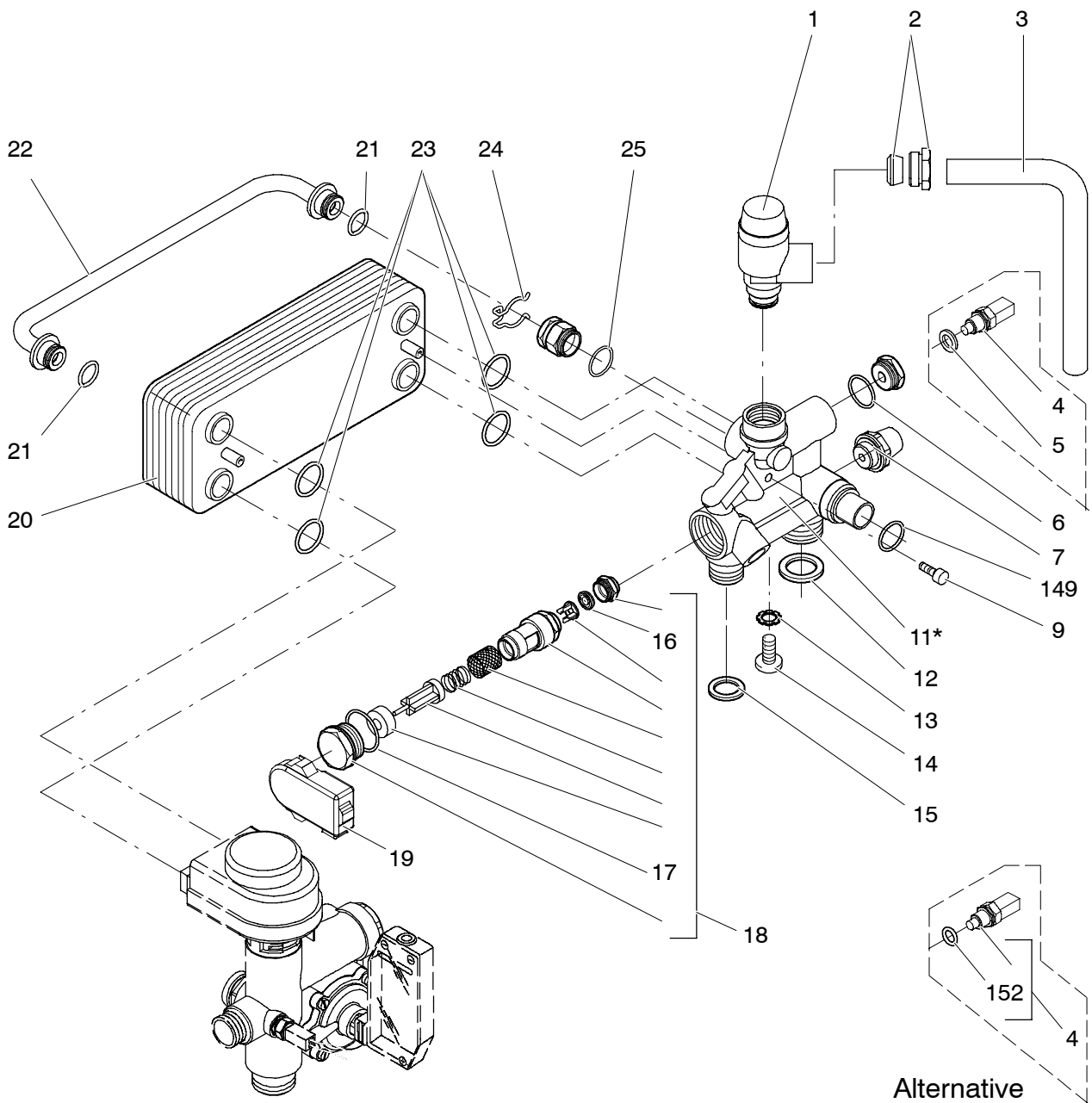
Overall view
DATA BADGE: inner side of left case panel



M90E.24S
M90E.28S
M90E.32S

47-970-17
47-970-18
47-970-21

C.h. return group and d.h.w. heat exchanger

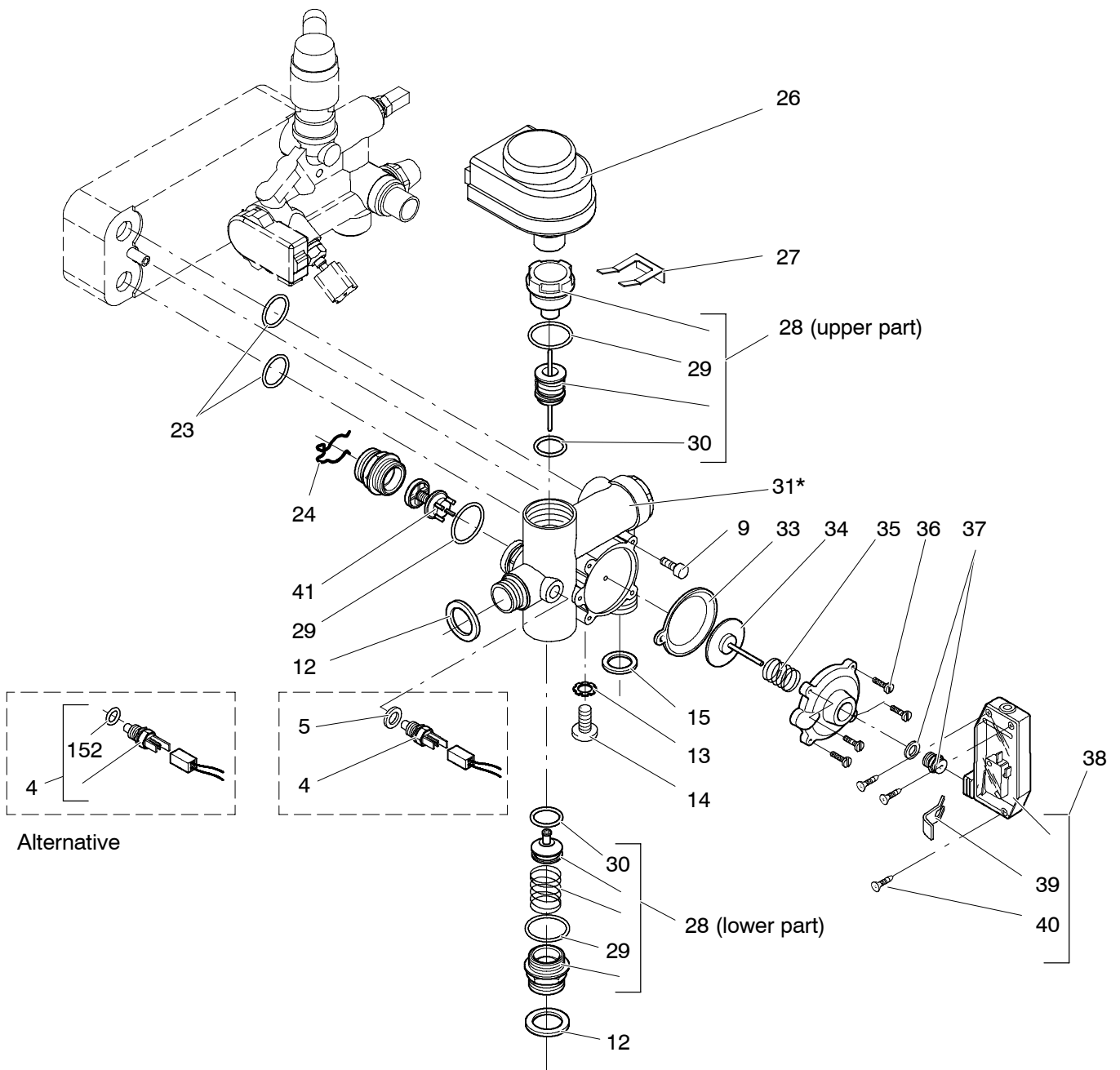


* Includes items 6, 18, 25

M90E.24S
M90E.28S
M90E.32S

47-970-17
47-970-18
47-970-21

C.h. flow group and three way diverter valve

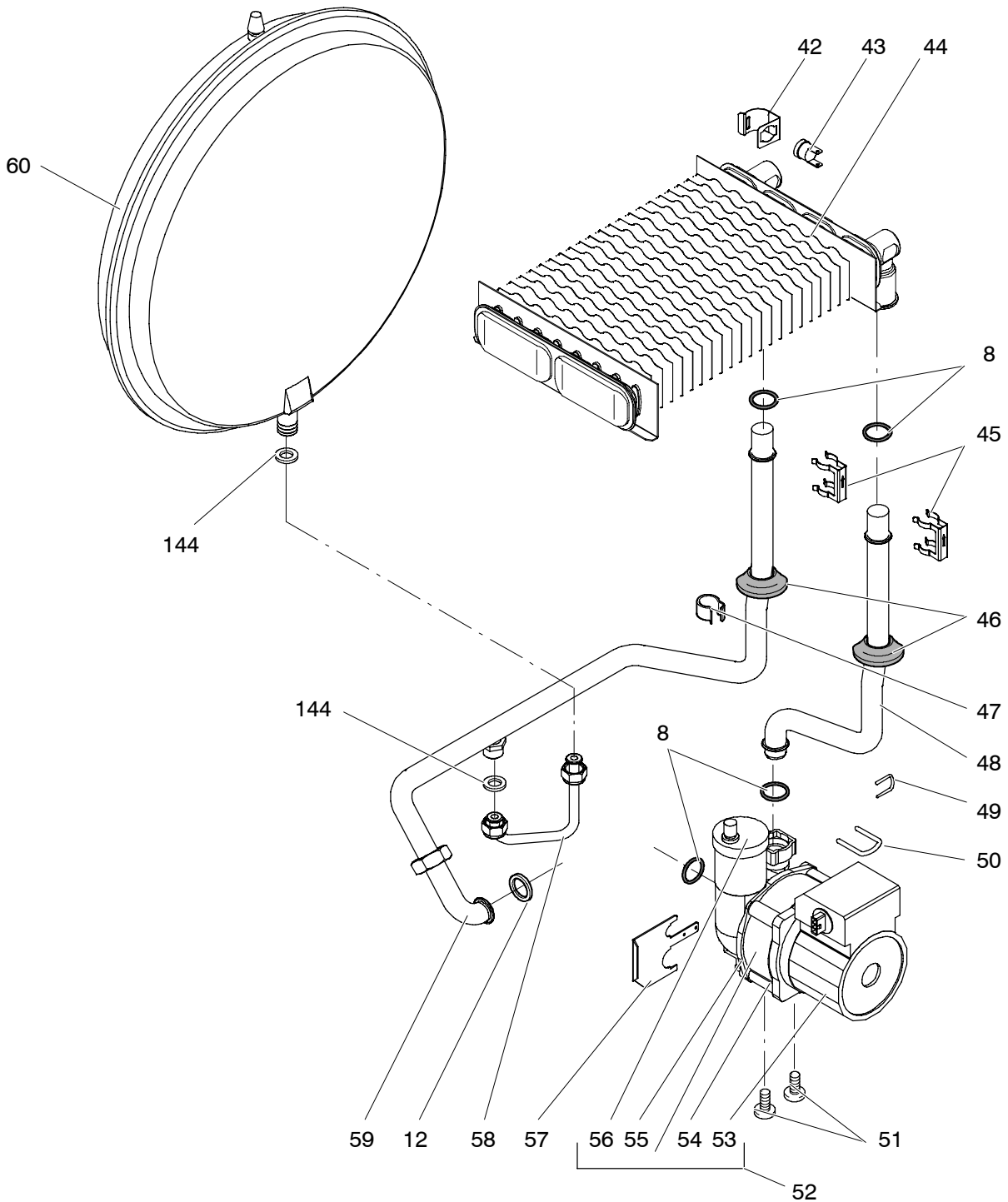


* Includes items 28, 33, 34, 35, 36, 37, 29, 41

M90E.24S
M90E.28S
M90E.32S

47-970-17
47-970-18
47-970-21

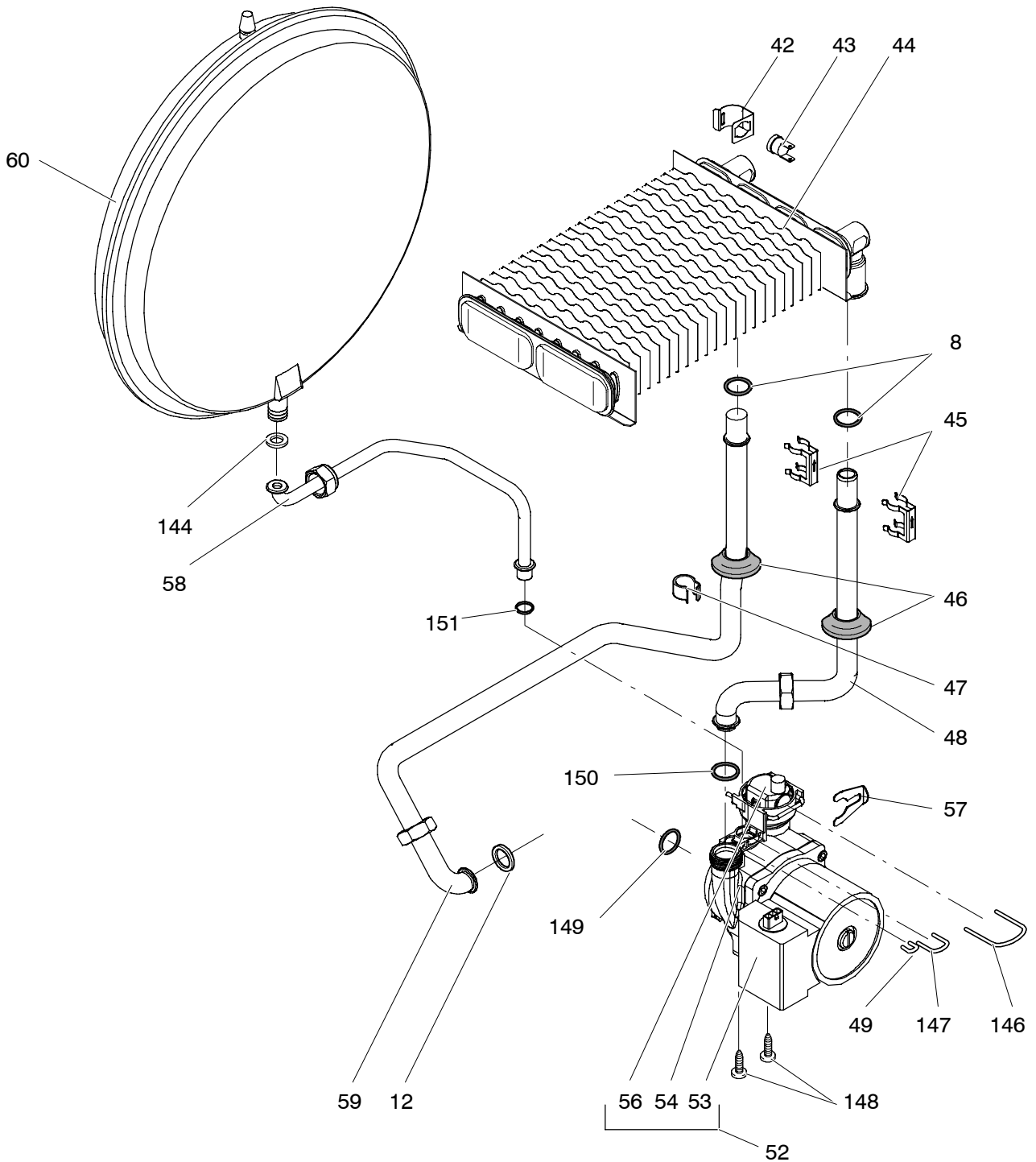
Pump and main circuit assembly
up to serial no. N024590604



M90E.24S
M90E.28S
M90E.32S

47-970-17
47-970-18
47-970-21

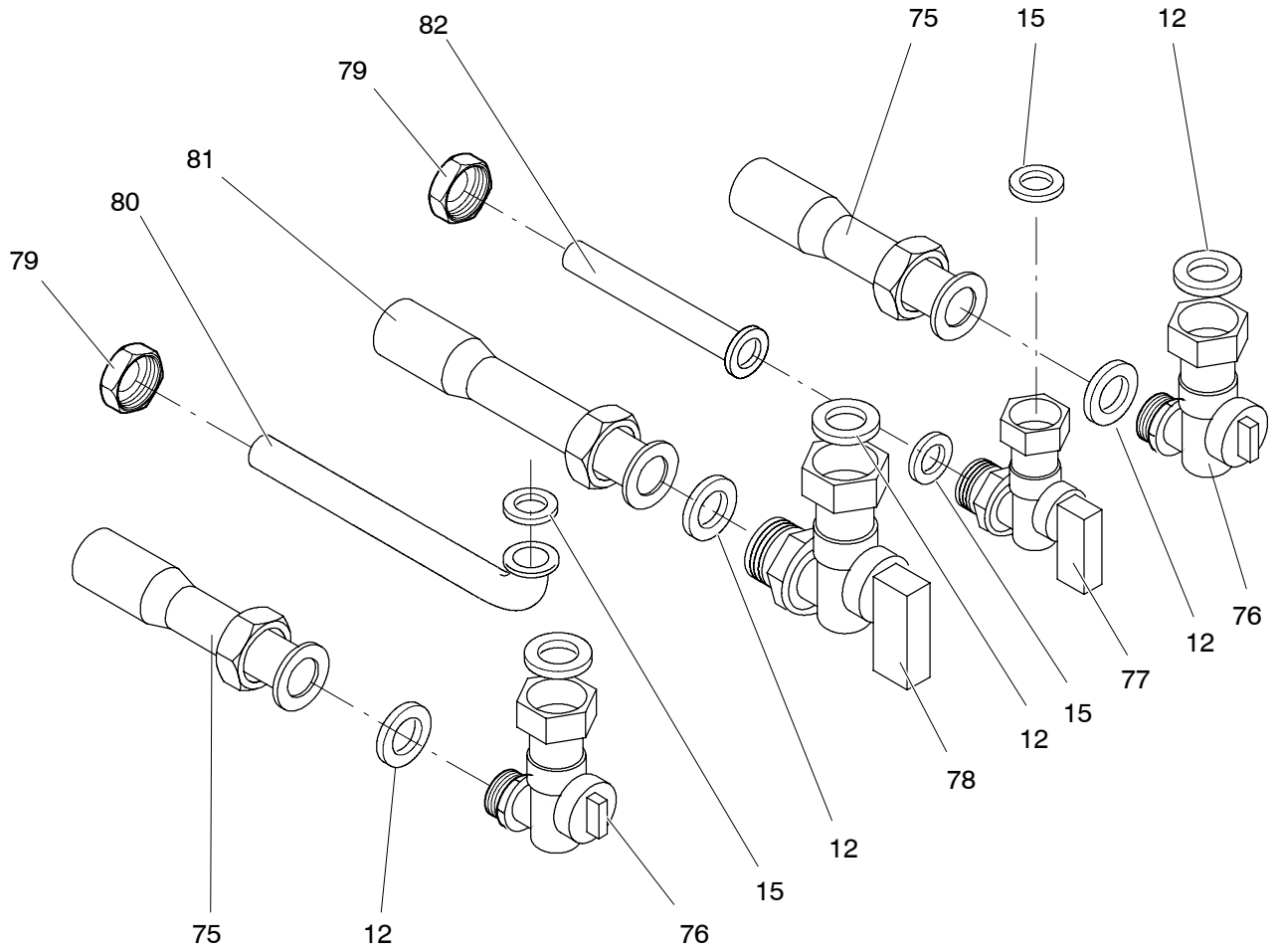
Pump and main circuit assembly
from serial no. N024600604



M90E.24S
M90E.28S
M90E.32S

47-970-17
47-970-18
47-970-21

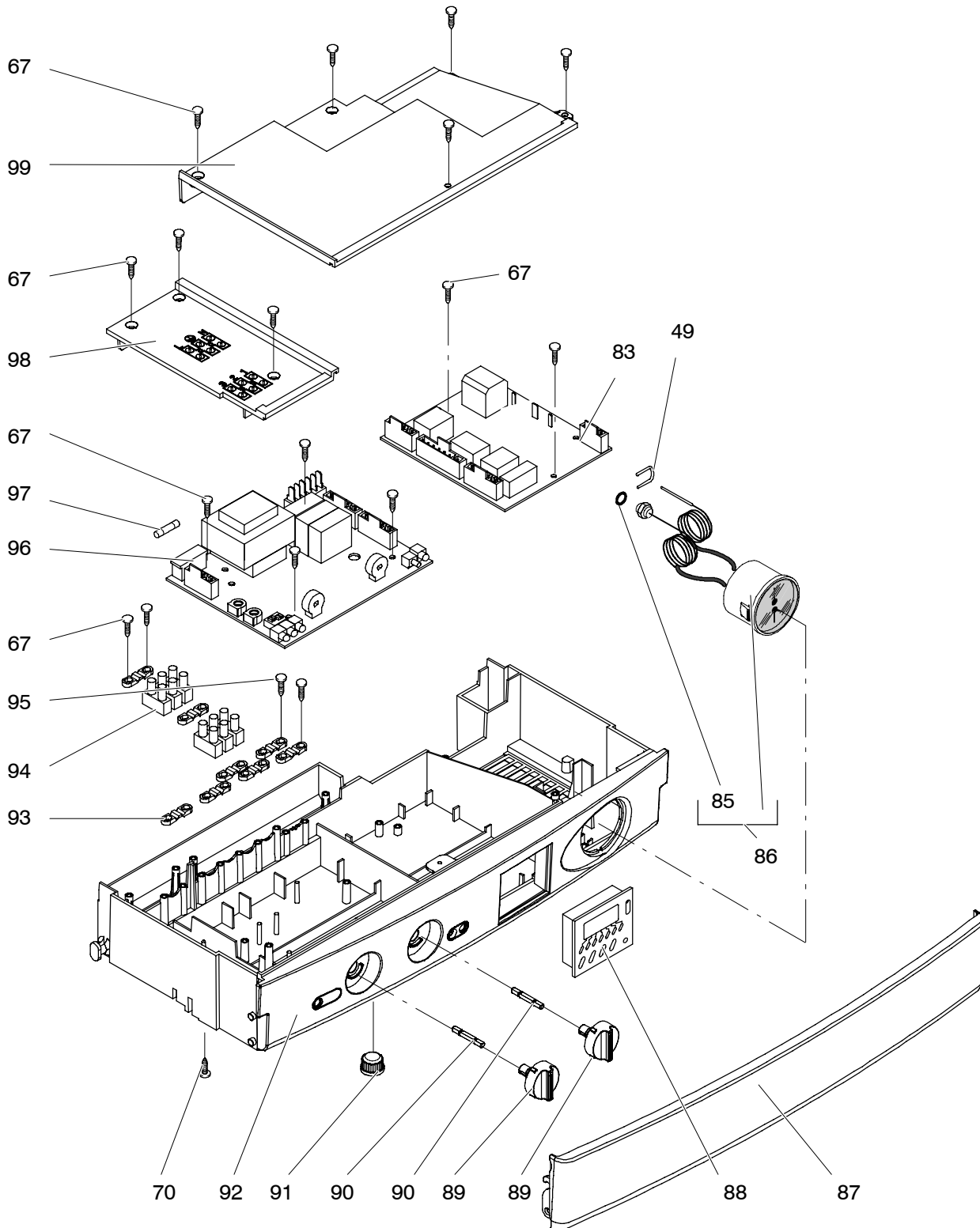
Valves and connection pipes



M90E.24S
M90E.28S
M90E.32S

47-970-17
47-970-18
47-970-21

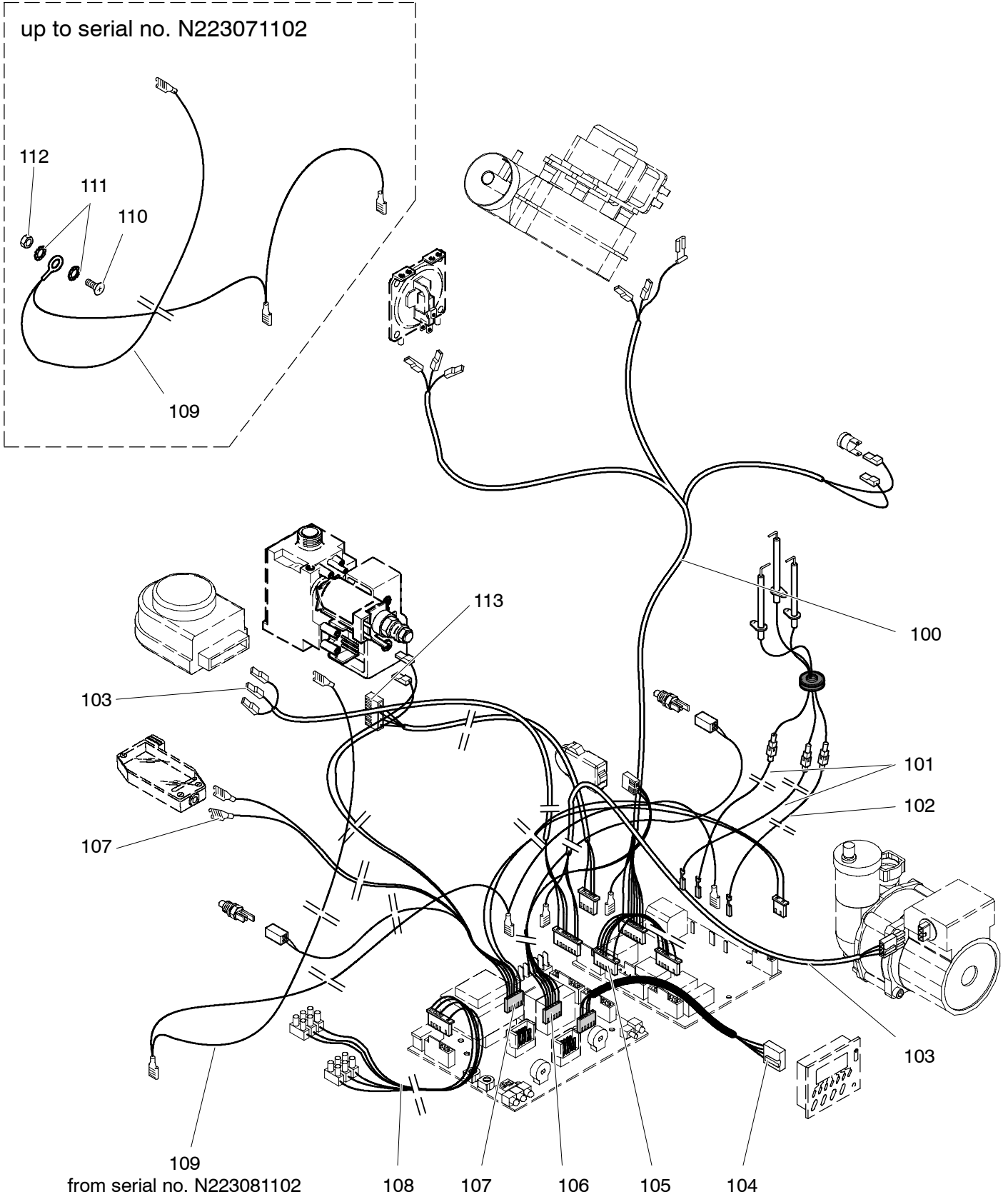
Control panel and ignition device



M90E.24S
M90E.28S
M90E.32S

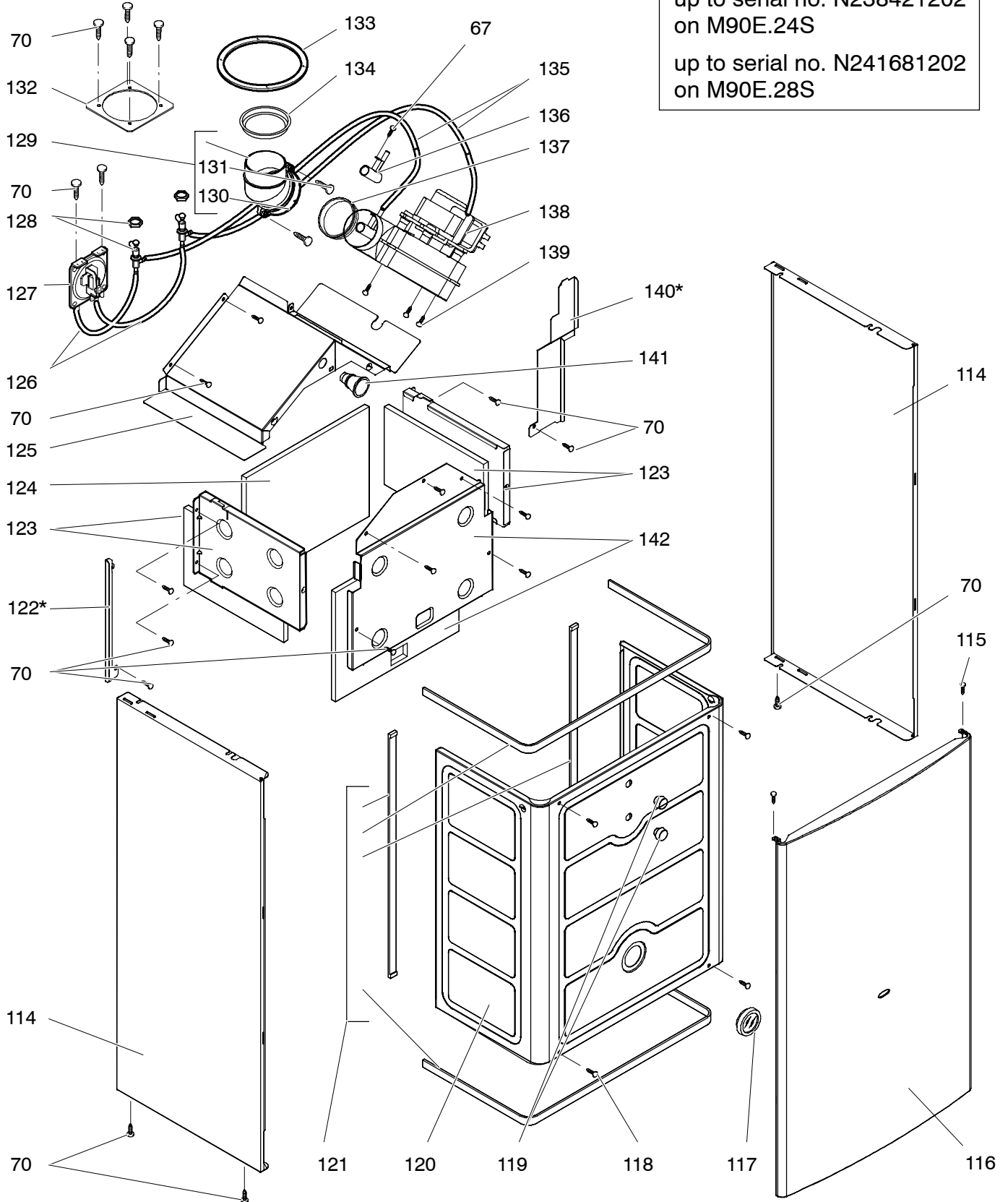
47-970-17
47-970-18
47-970-21

Wiring



Fan, combustion chamber and case panels

up to serial no. N238421202
on M90E.24S
up to serial no. N241681202
on M90E.28S



* For model M90E.28S only

DRAFT BRITISH GAS PART LIST

Date _____
 Sheet 1 of 12
 Manufacturer Biasi SpA – Italy
 Appliance(s) M90E.24S M90E.28S M90E.32S
 GC Appliance Number(s) 47-970-17 47-970-18 47-970-21
 Contract Name _____
 Telephone Number _____

(a)	(b)	(c)	(d)	(e)	(f)	(g)	(h)	(i)	(j)	(k)
Key no.	GC Part Number	Description	No. Off	Makers part number which have a CG number	Maker's old part number which have since been changed	Maker's new part number which DO NOT have a GC number	M B F	Original Supplier	Original Supplier part number	Retail price excl. VAT
		Position of data badge: inner side of left case panel								
	E94-736	Instructions booklets set	1	BI1911 503			M			
		up to serial no. N238421202 on M90E.24S,								
		up to serial no. N241681202 on M90E.28S,								
	H04-068	Instructions booklets set M90E.32S	1	BI1911 506			M			
		from serial no. N238431202 on M90E.24S								
		from serial no. N241691202 on M90E.28S								
		up to serial no. N024590604 for all the models								
		Instructions booklets set from serial no. N024600604 for all	1			BI1911 511	M			
		the models								
1	E83-013	Safety valve 3 bar	1	BI1131 100			B	Watts Interme – Caldaro Italy	3 bar	
								Orkli (alternative)	3 bar	
2	E23-759	Safety valve connection	1	BI1001 127			M			
3	E83-015	Safety valve connection pipe	1	BI1131 102			M			
3 A	H05-158	Safety valve connection pipe	1	BI1131 106			M			
		(replacement for discontinued BI1131 102)								
4	164-026	Temperature probe (special)	2	BI1001 117			M			
5	164-025	Flat gasket 3/8" O.D 15 mm, i.d. 9.7 mm	2	BI1001 109			M			
6	E00-679	O-ring gasket 1,78x15,6	1	BI1001 131			M			
7	E00-669	Drainage valve	1	BI1011 104			B	Watts Interme – Caldaro Italy	RSR8 1/4"	
8	169-025	O-ring gasket 17,04x3,53 up to serial no. N024590604	5	KI1043 114			M			
8	169-025	O-ring gasket 17,04x3,53 from serial no. N024600604	2	KI1043 114			M			
9	E00-671	Screw M5x16 – Hexagon socket cap	2	BI1001 125			F			
11	E83-016	Return group kit	1	BI1131 501			M			
12	169-033	Flat gasket 3/4"	9	BI1001 108			M			

CONTINUATION SHEET

Sheet 2 of 12

Appliance number(s) 47-970-17 47-970-18 47-970-21

(a)	(b)	(c)	(d)	(e)	(f)	(g)	(h)	(i)	(j)	(k)
Key no.	GC Part Number	Description	No. Off	Makers part number which have a CG number	Maker's old part number which have since been changed	Maker's new part number which DO NOT have a GC number	M B F	Original Supplier	Original Supplier part number	Retail price excl. VAT
13	E23-757	Toothed lock washer external 6,4 mm	2	BI1001 124			F			
14	E00-670	Screw M6x8 - BZP RPH	2	BI1001 123			F			
15	169-141	Gasket 1/2"	3	BI1001 106			M			
16	E83-018	Flow limiter 10 Litres/min	1	BI1091 102			B	Acqua Flow		
16 A	E83-019	Flow limiter 12 Litres/min	1	BI1091 103			B	Acqua Flow		
17	E00-678	O-ring gasket 2,62x20,63	1	BI1001 130			M			
18	E83-081	Magnetic flow switch and filter kit	1	BI1091 502			M			
19	E83-082	D.h.w. flow switch	1	BI1091 104			M			
20	E01-204	Exchanger DHW - M90E.24S	1	BI1001 101			M			
20 A	E01-205	Exchanger DHW - M90E.28S	1	BI1001 102			M			
20 B	H05-161	Exchanger DHW - M90E.32S	1	BI1161 100			M			
21	E00-668	O-ring gasket 1,78x12,42 by-pass pipe	2	BI1001 115			M			
22	E83-083	By-pass pipe	1	BI1131 101			M			
23	169-060	O-ring gasket 18,64x3,53	4	KI1043 144			M			
24	E00-672	By-pass pipe fixing fork	2	BI1001 111			M			
25	E00-676	O-ring gasket 1,78x14	1	BI1001 129			M			
26	E83-086	Diverter valve actuator	1	BI1101 102			B	Elbi International SpA Collegno italy	1650/6/0	
27	E83-090	Diverter valve actuator fixing spring	1	BI1101 101			M			
28	E83-091	Diverter valve kit	1	BI1141 501			M			
29	E00-680	O-ring gasket 2,62x23,47	3	BI1011 107			M			
30	E83-092	O-ring gasket 2,7x13,6	2	BI1011 117			M			
31	E83-095	Flow group kit	1	BI1141 500			M			
33	E00-688	Central heating pressure switch membrane	1	BI1011 103			M			
34	E00-687	Central heating pressure switch disk	1	BI1011 111			M			
35	E00-686	Central heating pressure switch spring	1	BI1011 110			M			

CONTINUATION SHEET

Sheet 3 of 12

Appliance number(s) 47-970-17 47-970-18 47-970-21

(a)	(b)	(c)	(d)	(e)	(f)	(g)	(h)	(i)	(j)	(k)
Key no.	GC Part Number	Description	No. Off	Makers part number which have a CG number	Maker's old part number which have since been changed	Maker's new part number which DO NOT have a GC number	M B F	Original Supplier	Original Supplier part number	Retail price excl. VAT
36	E00-685	Screw M4x12 mm Stainless steel SCH	4	BI1011 109			F			
37	E00-681	Microswitch guide bush	1	BI1011 502			M			
38	E00-684	Microswitch kit	1	BI1011 505			M			
39	E00-683	Microswitch box fixing clip	1	BI1011 105			M			
40	E00-682	Screw 2,9x13 mm AB self tapping BZP - RCH	3	BI1011 108			F			
41	E00-689	By-pass kit	1	BI1011 501			M			
42	E94-723	Overheat thermostat fixing clip	1	BI1182 100			M			
43	E83-101	Overheat thermostat	1	BI1172 105			B	Eith	261 105°C	
								Texas instruments (Klixon) alternative	1NT	
44	E94-579	Main exchanger M90E.24S	1	BI1182 101			M			
		up to serial no. N224430303								
44	H03-714	Main exchanger M90E.24S	1	BI1202 101			M			
		from serial no. N224440303								
44 A	E94-580	Main exchanger M90E.28S	1	BI1182 102			M			
		up to serial no. N255260203								
44 A	H03-716	Main exchanger M90E.32S	1	BI1202 102			M			
		from serial no. N255270203 on M90E.28S								
44 B	H05-174	Main exchanger M90E.32S	1	BI1222 100			m			
		Part withdrawn November 2003, see BI1202 102								
45	E94-737	Main exchanger connection clip	2	BI1182 106			M			
46	169-104	Grommet	3	BI1002 113			M			
47	169-045	Probe holder	1	BI1105 108			M			
48	E94-725	Main exchanger inlet pipe	1	BI1182 103			M			
		up to serial no. N224430303 on M90E.24S								
		up to serial no. N255260203 on M90E.28S								

CONTINUATION SHEET

Sheet 4 of 12

Appliance number(s) 47-970-17 47-970-18 47-970-21

(a) Key no.	(b) GC Part Number	(c) Description	(d) No. Off	(e) Makers part number which have a CG number	(f) Maker's old part number which have since been changed	(g) Maker's new part number which DO NOT have a GC number	(h) M B F	(i) Original Supplier	(j) Original Supplier part number	(k) Retail price excl. VAT
48	H03-718	Main exchanger inlet pipe	1	BI1202 103			M			
		from serial no. N224440303 up to serial no. N024590604 on M90E.24S								
		from serial no. N255270203 up to serial no. N024590604 on M90E.28S								
		up to serial no. N024590604 on M90E.32S								
48	H23-005	Main exchanger inlet pipe from serial no. N024600604 for all the models	1	BI1272 102			M			
49	169-040	Fork	1	KI1042 115			M			
50	169-039	Fork	1	KI1042 120			M			
51	402-325	Screw M6x10 - BZP RPH	2	BI1172 115			F			
52	E83-111	Pump (complete)	1	BI1172 104			M			
52 A	H04-218	Pump (complete) up to serial no. N024590604 (replacement for discontinued BI1172 104)	1	BI1222 101			M			
52 A	H23-009	Pump (complete) from serial no. N024600604	1	BI1272 100			M			
53	E83-113	Pump (motor)	1	BI1172 114			B	Wilo	NFHUL 15/5	
53 A	H04-220	Pump (motor) up to serial no. N024590604 (replacement for discontinued BI1172 114)	1	BI1222 102			B	Wilo	NFHUL 15/5	
53 A	H23-012	Pump (motor) from serial no. N024600604	1	BI1272 101			B	Wilo	NFSL 12/5	
54	E83-114	Pump gasket (front)	1	BI1172 113			M			
55	E83-116	Pump gasket (rear) up to serial no. N024590604	1	BI1172 112			M			
56	E83-117	Automatic air purger valve up to serial no. N024590604	1	BI1172 111			M			
56	H20-986	Automatic air purger valve from serial no. N024600604	1	BI1212 107			M			
57	E83-118	Pump connection fork up to serial no. N024590604	1	BI1172 110			M			
57	H20-987	Pump connection fork from serial no. N024600604	1	BI1262 116			M			

CONTINUATION SHEET

Sheet 5 of 12

Appliance number(s) 47-970-17 47-970-18 47-970-21

(a)	(b)	(c)	(d)	(e)	(f)	(g)	(h)	(i)	(j)	(k)
Key no.	GC Part Number	Description	No. Off	Makers part number which have a CG number	Maker's old part number which have since been changed	Maker's new part number which DO NOT have a GC number	M B F	Original Supplier	Original Supplier part number	Retail price excl. VAT
58	E83-119	Expansion vessel connection pipe up to serial no. N024590604	1	BI1172 109			M			
58	H23-014	Expansion vessel connection pipe from serial no. N024600604	1	BI1272 103			M			
59	E94-726	Main exchanger outlet pipe up to serial no. N224430303 on M90E.24S up to serial no. N255260203 on M90E.28S	1	BI1182 104			M			
59	H03-720	Main exchanger outlet pipe from serial no. N224440303 on M90E.24S from serial no. N255270203 on M90E.28S up to serial no. N024590604 for all the models	1	BI1202 104			M			
59	H23-015	Main exchanger outlet pipe from serial no. N024600604 for all the models	1	BI1212 110			M			
60	E83-121	Expansion vessel	1	BI1172 103			B	CIMM Srl - Castello di Godego Italy Zilmet - Italy (alternative)	CP387 6L 13C0000600	
61	169-069	Injectors with gaskets 130 - NG M90E.24S, M90E.28S	14	KI1064 505			B	Polidoro		
61 A	169-070	Injectors with gaskets 77 - LPG M90E.24S, M90E.28S	14	KI1064 506			B	Polidoro		
61 B	H05-180	Injectors with gaskets 130 - NG M90E.32S	16	BI1193 500			B	Polidoro		
61 C	H08-596	Injectors with gaskets 77 - LPG M90E.32S	16	BI1193 501			B	Polidoro		
62	173-148	Burner M90E.24S	1	KI1004 102			B	Polidoro		
62 A	173-149	Burner M90E.28S	1	KI1004 147			B	Polidoro		
62 B	H05-182	Burner M90E.32S	1	BI1193 100			B	Polidoro		
63	E83-122	Detection electrode M90E.24S, M90E.28S	1	BI1123 102			M			
63 A	H05-183	Detection electrode M90E.32S	1	BI1193 104			M			
64	E83-126	Ignition electrode - right M90E.24S, M90E.28S	1	BI1123 103			M			

CONTINUATION SHEET

Sheet 6 of 12

Appliance number(s) 47-970-17 47-970-18 47-970-21

(a)	(b)	(c)	(d)	(e)	(f)	(g)	(h)	(i)	(j)	(k)
Key no.	GC Part Number	Description	No. Off	Makers part number which have a CG number	Maker's old part number which have since been changed	Maker's new part number which DO NOT have a GC number	M B F	Original Supplier	Original Supplier part number	Retail price excl. VAT
64 A	H05-185	Ignition electrode – right M90E.32S	1	BI1193 103			M			
65	E83-127	Ignition electrode – left M90E.24S, M90E.28S	1	BI1123 101			M			
65 A	H05-186	Ignition electrode – left M90E.32S	1	BI1193 102			M			
66	169-125	Grommet	1	BI1002 115			M			
67	409-736	Tapping screw 3,5x9,5 recessed pan head	24	BI1013 115			F			
68	E83-128	Air deflector M90E.24S	1	BI1183 102			M			
		up to serial no. N241681202 on M90E.28S								
68	H03-681	Air deflector from serial no. N241691202 on M90E.28S	1	BI1183 109			M			
68 A	H05-196	Air deflector on M90E.32S	1	BI1193 106			M			
69	409-531	Taptite screw M4x8 Recessed pan head Hardened steel	4	BI1013 111			F			
		Bright Zinc Plated BS3382 Clear passivated and lanolin								
		Dipped								
70	409-722	Tapping Screw ISO No8 B 4,2x9,5 Recessed Pan Head	34	BI1013 110			F			
		Hardened Steel BS4174 Bright Zinc plate BS1706 Clear								
		Passivated								
71	402-124	Machine Screw M4x8 mm Recessed pan head Mild steel	2	BI1013 114			F			
		BS4183 Bright zinc plate BS3382 Clear passiv.								
72	E83-129	Gas valve	1	BI1093 104			B	Sit	845 Sigma	
72 A	H03-746	Gas valve	1	BI1193 105			B	Sit	845 Sigma	
		(replacement for discontinued BI1093104)								
72 B		Gas valve on-off operator coils				BI1093 107	B	Sit	0.967.158	
73	E83-130	Gas pipe to the manifold	1	BI1183 101			M			
74	E83-131	Gas manifold with injectors NG M90E.24S	1	BI1183 103			B	Polidoro		
74 A	E83-132	Gas manifold with injectors LPG M90E.24S	1	BI1183 104			B	Polidoro		
74 B	E83-133	Gas manifold with injectors NG M90E.28S	1	BI1183 105			B	Polidoro		

CONTINUATION SHEET

Sheet 7 of 12

Appliance number(s) 47-970-17 47-970-18 47-970-21

(a)	(b)	(c)	(d)	(e)	(f)	(g)	(h)	(i)	(j)	(k)
Key no.	GC Part Number	Description	No. Off	Makers part number which have a CG number	Maker's old part number which have since been changed	Maker's new part number which DO NOT have a GC number	M B F	Original Supplier	Original Supplier part number	Retail price excl. VAT
74	C E83-134	Gas manifold with injectors LPG M90E.28S	1	BI1183 106			B	Polidoro		
74	D H05-200	Gas manifold with injectors NG M90E.32S	1	BI1193 107			B	Polidoro		
74	E H08-604	Gas manifold with injectors LPG M90E.32S	1	BI1193 108			B	Polidoro		
75	E83-135	C.h. connection pipe	2	BI1084 110			M			
76	E83-136	Tap 3/4" - c.h.	2	BI1084 105			B			
77	E83-137	Tap 1/2" - d.h.w.	1	BI1084 101			B			
78	E83-138	Tap 3/4" - gas	1	BI1084 100			B			
79	E01-226	Nut 1/2"	2	BI1004 101			M			
80	E83-139	Pipe 15 mm dia (bent) d.h.w.	1	BI1084 109			M			
81	E83-140	Pipe 22 mm dia gas	1	BI1084 111			M			
82	E83-141	Pipe 15 mm dia (straight) d.h.w.	1	BI1084 107			M			
83	E83-142	Full sequence control device	1	BI1305 101			B	Bertelli & Partners	FM30	
85	E83-144	O-ring gasket 1,78 x 6,75	1	BI1475 119			M			
86	E83-145	Temperature-pressure gauge	1	BI1475 108			M			
87	E94-727	Cover panel	1	BI1515 100			M			
88	E94-738	Time switch	1	BI1525 101			B	Flash	Monotron 200 23011	
89	E94-728	Knob	2	BI1515 101			M			
90	E83-149	Shaft	2	BI1475 105			M			
91	E83-150	Control panel plug	1	BI1475 110			M			
92	E94-739	Control panel box	1	BI1525 100			M			
93	E83-152	Cable holder (replacement for discontinued KI1066 102)	8	KI1066 208			B	Fastpoint S.r.l.	1207.BB01 XS	
94	E83-153	Terminal block	2	BI1475 109			B	Elettrogibi Odoardo Korner (alternative)	PA27 OK-433-FV	
95	409-727	Screw 3,5x16 mm self tap RPH	4	BI1165 101			F			

CONTINUATION SHEET

Sheet 8 of 12

Appliance number(s) 47-970-17 47-970-18 47-970-21

(a)	(b)	(c)	(d)	(e)	(f)	(g)	(h)	(i)	(j)	(k)
Key no.	GC Part Number	Description	No. Off	Makers part number which have a CG number	Maker's old part number which have since been changed	Maker's new part number which DO NOT have a GC number	M B F	Original Supplier	Original Supplier part number	Retail price excl. VAT
96	E94-730	Electronic control p.c.b.	1	BI1475 114			M			
96 A	H05-201	Electronic control p.c.b. (replacement for discontinued BI1475114)	1	BI1515 107			M			
96 B		Electronic control p.c.b. (replacement for discontinued BI1515 107)	1			BI1605 112	M			
97	169-083	Fuse 1.6A	1	BI1005 105			B			
98	E83-155	Service panel cover	1	BI1475 111			M			
99	E83-156	Control panel cover	1	BI1475 112			M			
100	E83-159	Fan cable	1	BI1485 112			M			
101	E83-160	Ignition electrode cable	2	BI1485 101			M			
102	E83-161	Flame detection electrode cable	1	BI1485 102			M			
103	E83-162	Pump-diverter valve cable	1	BI1485 103			M			
104	E83-163	Time switch cable	1	BI1485 111			M			
105	E83-164	Electronic control p.c.b.- ignition device connection cable	1	BI1485 104			M			
106	E83-165	D.h.w. flow switch and temp. probe cable	1	BI1485 105			M			
107	E83-166	C.h. flow switch, temp. probe cable and modulator cable	1	BI1485 106			M			
108	E83-168	Power supply and external control cable	1	BI1485 107			M			
109	E83-169	Earth wiring (up to serial no. N223071102)	1	BI1485 108			M			
109	H03-683	Earth wiring (from serial no. N223081102)	1	BI1485 116			M			
110	402-225	Machine Screw M5x10 Recessed Pan Head Mild steel	1	BI1035 109			F			
		BS4183 Bright zinc plate BS3382 Clear Passivated								
111	164-133	Toothed lock washer external 5,3x10 mm stainless	2	BI1035 110			F			
112	404-609	Full nut M5 Hexagon Steel grade 8 BS3692 Bright zinc plate BS3382 clear passivated	1	BI1035 111			F			
113	E83-170	Gas valve cable	1	BI1485 109			M			

CONTINUATION SHEET

Sheet 9 of 12

Appliance number(s) 47-970-17 47-970-18 47-970-21

(a)	(b)	(c)	(d)	(e)	(f)	(g)	(h)	(i)	(j)	(k)
Key no.	GC Part Number	Description	No. Off	Makers part number which have a CG number	Maker's old part number which have since been changed	Maker's new part number which DO NOT have a GC number	M B F	Original Supplier	Original Supplier part number	Retail price excl. VAT
114	E94-731	Side case panel	2	BI1346 500			M			
115	409-702	Screw 4,2x13 mm AB self tapping RPH BZP	2	BI1336 115			F			
116	E94-732	Front case panel	1	BI1346 501			M			
117	E69-243	Window (glass + rubber frame)	1	BI1206 118			M			
118	409-747	Screw 4,8x13 mm AB self tapping RPH BZP	4	BI1336 114			F			
119	E83-174	Sampling point plug	2	BI1336 110			M			
120	E83-175	Sealed chamber lid	1	BI1336 100			M			
121	E83-176	Sealed chamber gaskets kit	1	BI1336 500			M			
122	E83-177	Air deflector left M90E.28S	1	BI1336 112			M			
123	E83-178	Combustion chamber side panel	2	BI1326 100			M			
124	E83-180	Combustion chamber rear panel M90E.24S	1	BI1326 107			M			
124 A	E83-181	Combustion chamber rear panel M90E.28S	1	BI1326 108			M			
125	E83-182	Flue hood up to serial no. N238421202 on M90E.24S	1	BI1336 101			M			
125	H03-687	Flue hood from serial no. N238431202 on M90E.24S	1	BI1366 104			M			
125 A	E83-183	Flue hood up to serial no. N241681202 on M90E.28S	1	BI1336 102			M			
125 A	H03-688	Flue hood M90E.32S	1	BI1366 105			M			
		from serial no. N241691202 on M90E.28S								
126	E01-187	Flue pressure switch tube	2	BI1016 107			M			
		up to serial no. N238421202 on M90E.24S								
		up to serial no. N241681202 on M90E.28S								
126	E01-187	Flue pressure switch tube	1	BI1016 107			M			
		from serial no. N238431202 on M90E.24S								
		from serial no. N241691202 on M90E.28S								
127	E05-422	Air pressure switch	1	BI1036 102			B	Yamatake-Honeywell	C6065 1,4 mbar	
		up to serial no. N238421202 on M90E.24S								

CONTINUATION SHEET

Sheet 10 of 12

Appliance number(s) 47-970-17 47-970-18 47-970-21

(a)	(b)	(c)	(d)	(e)	(f)	(g)	(h)	(i)	(j)	(k)
Key no.	GC Part Number	Description	No. Off	Makers part number which have a CG number	Maker's old part number which have since been changed	Maker's new part number which DO NOT have a GC number	M B F	Original Supplier	Original Supplier part number	Retail price excl. VAT
127	169-127	Air pressure switch	1	KI1267 103			B	Yamatake-Honeywell	C6065 0,88 mbar	
		from serial no. N238431202 on M90E.24S						SIT (alternative)	380 0,88 mbar	
127 A	E83-184	Air pressure switch	1	BI1256 114			B	Yamatake-Honeywell	C6065 1,6 mbar	
		up to serial no. N241681202 on M90E.28S								
127 A	H03-691	Air pressure switch	1	BI1366 107			B	Yamatake-Honeywell	C6065 1,04 mbar	
		from serial no. N241691202 on M90E.28S						SIT (alternative)	380 1,04 mbar	
127 B	H05-207	Air pressure switch M90E.32S	1	BI1376 102			B	Yamatake-Honeywell	C6065 1,83 mbar	
		up to serial no. N020800903						SIT (alternative)		
127 B		Air pressure switch M90E.32S	1			BI1376 104	B	Yamatake-Honeywell	C6065 1,38 mbar	
		from serial no. N020810903						SIT (alternative)		
128	E05-424	Air switch pressure test point	2	BI1036 101			M			
129	E83-185	Flue elbow (complete)	1	BI1336 108			M			
130	E83-186	Flue elbow clamp	1	BI1336 113			M			
131	402-127	Screw M4x16 mm BZP - RPH	2	BI1015 115			M			
132	E01-184	Gasket - Air intake twin kit	1	BI1016 101			M			
133	169-110	Flue pipe gasket	1	BI1016 104			M			
134	E83-187	Flue restrictor ø 47	1	BI1336 106			M			
134 A	H03-692	Flue restrictor Ø 44	1	BI1366 108			M			
		from serial no. N238431202 on M90E.24S								
		from serial no. N241691202 on M90E.28S								
134 B	H05-210	Flue restrictor Ø 50 M90E.32S	1	BI1376 103			M			
135	E83-188	Venturi device tube	2	BI1256 101			M			
		up to serial no. N238421202 on M90E.24S								
		up to serial no. N241681202 on M90E.28S								

CONTINUATION SHEET

Sheet 11 of 12

Appliance number(s) 47-970-17 47-970-18 47-970-21

(a)	(b)	(c)	(d)	(e)	(f)	(g)	(h)	(i)	(j)	(k)
Key no.	GC Part Number	Description	No. Off	Makers part number which have a CG number	Maker's old part number which have since been changed	Maker's new part number which DO NOT have a GC number	M B F	Original Supplier	Original Supplier part number	Retail price excl. VAT
135	E83-188	Venturi device tube	1	BI1256 101			M			
		from serial no. N238431202 on M90E.24S								
		from serial no. N241691202 on M90E.28S								
136	E83-189	Venturi	1	BI1036 108			M			
		up to serial no. N238421202 on M90E.24S								
		up to serial no. N241681202 on M90E.28S								
136	H03-695	Venturi	1	BI1366 100			M			
		from serial no. N238431202 on M90E.24S								
		from serial no. N241691202 on M90E.28S								
137	E83-190	Flue elbow gasket	1	BI1336 103			M			
		up to serial no. N238421202 on M90E.24S								
		up to serial no. N241681202 on M90E.28S								
137	H03-697	Flue elbow gasket	1	BI1366 101			M			
		from serial no. N238431202 on M90E.24S								
		from serial no. N241691202 on M90E.28S								
138	E83-191	Fan, up to serial no. N238421202 on M90E.24S	1	BI1336 104			B	LN di Natalini - Montecassiano Italy		
138	H03-699	Fan, from serial no. N238431202 on M90E.24S	1	BI1366 102			B	FIME	GR02040 39W	
138 A	E83-193	Fan, up to serial no. N241681202 on M90E.28S	1	BI1336 116			B	LN di Natalini - Montecassiano Italy		
138 A	H03-700	Fan, from serial no. N241691202 on M90E.28S	1	BI1366 103			B	FIME	GR02045 47W	
138 B	H05-215	Fan M90E.32S up to serial no. N020800903	1	BI1376 100			B	FIME	GR1740 55W	
138 B	H08-608	Fan M90E.32S from serial no. N020810903	1	BI1376 105			B	FIME	GR02050 60W	
139	409-720	Screw 3,5x6,5 mm AB self tapping BZP - RPH	3	KI1267 104			F			
140	E83-194	Air deflector right M90E.28S, M90E.32S	1	BI1336 111			M			
141	E83-195	Flue sampling point connection	1	BI1336 109			M			
142	E83-196	Combustion chamber front panel M90E.24S	1	BI1326 101			M			

