



Spare Parts List

M90E.24S

M90E.28S

M90E.32S

Issue 09/2003

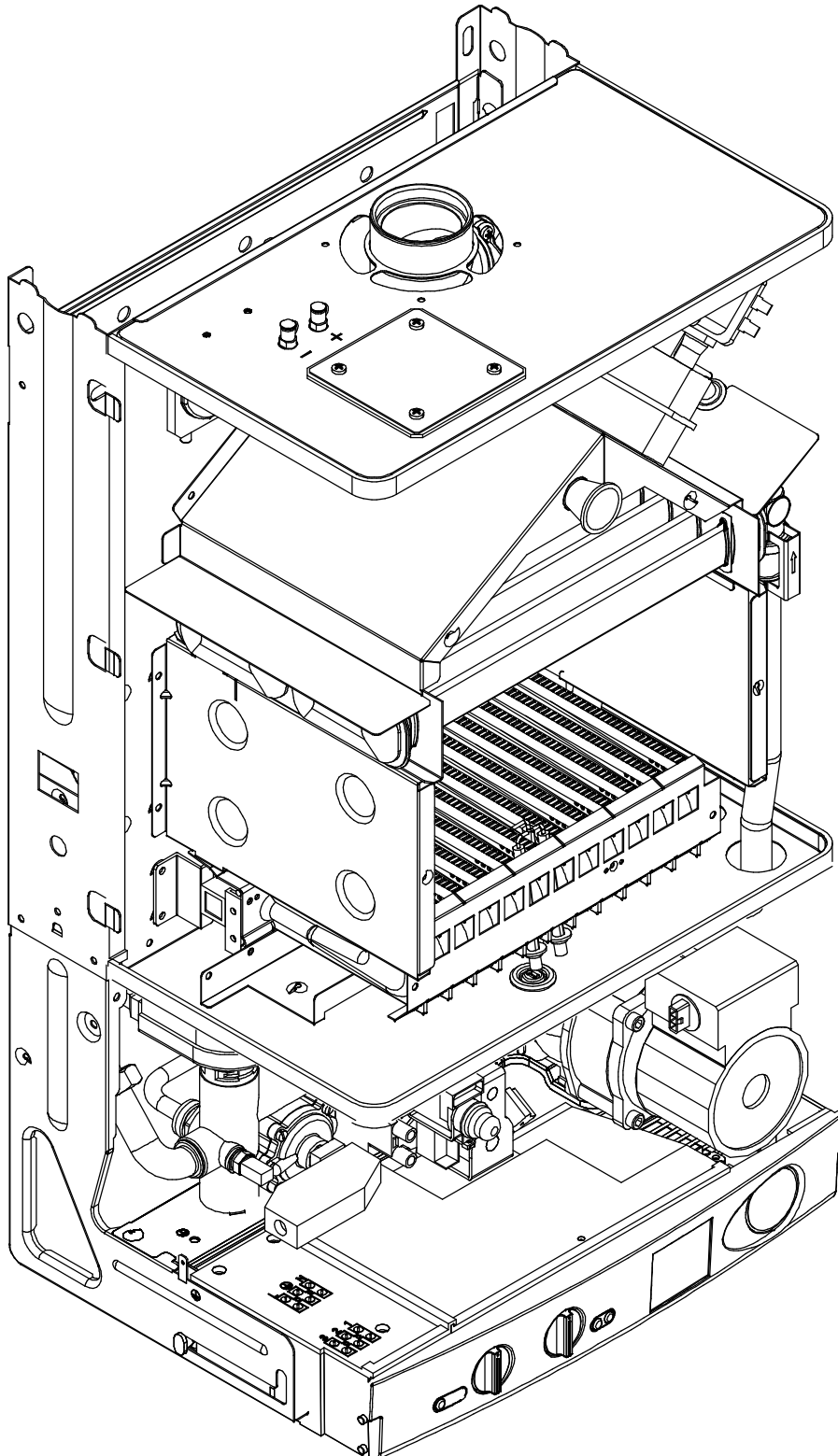
Table description	Issue	n. of pages
Overall view	06/2003	1
C.h. return group and d.h.w. heat exchanger	06/2003	1
C.h. flow group and three way diverter valve	06/2003	1
Pump and main circuit assembly	06/2003	1
Gas assembly	09/2003	1
Valves and connection pipes	06/2003	1
Control panel and ignition device	06/2003	1
Wiring	06/2003	1
Fan, combustion chamber and case panels M90E.24S up to serial no. N238421202 M90E.28S up to serial no. N241681202	12/2002	1
Fan, combustion chamber and case panels M90E.24S from serial no. N238431202 M90E.28S from serial no. N241691202	06/2003	1
List of parts	09/2003	11

M90E.24S
M90E.28S
M90E.32S

47-970-17
47-970-18
47-970-21

Overall view

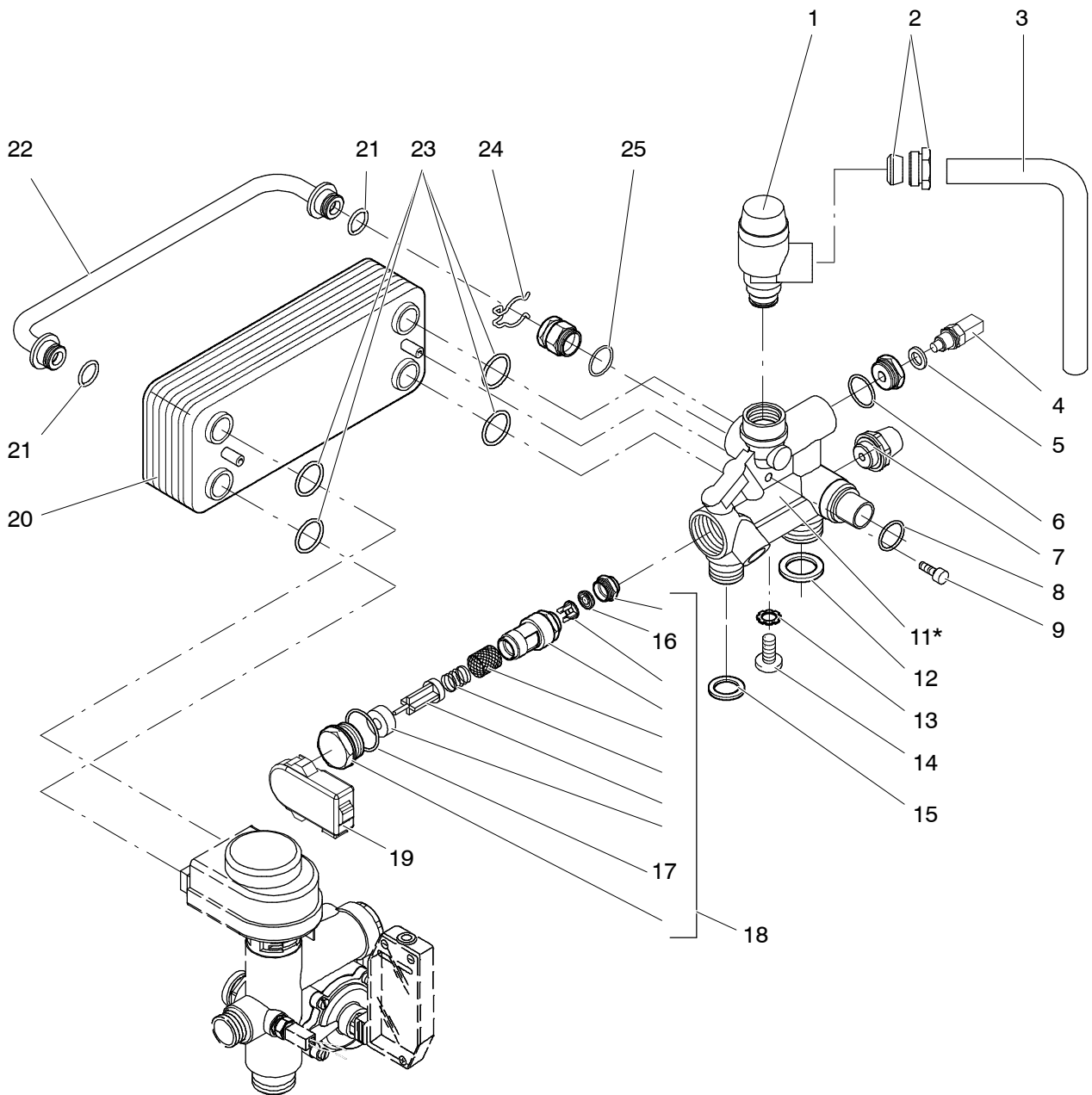
DATA BADGE: inner side of left case panel



M90E.24S
M90E.28S
M90E.32S

47-970-17
47-970-18
47-970-21

C.h. return group and d.h.w. heat exchanger

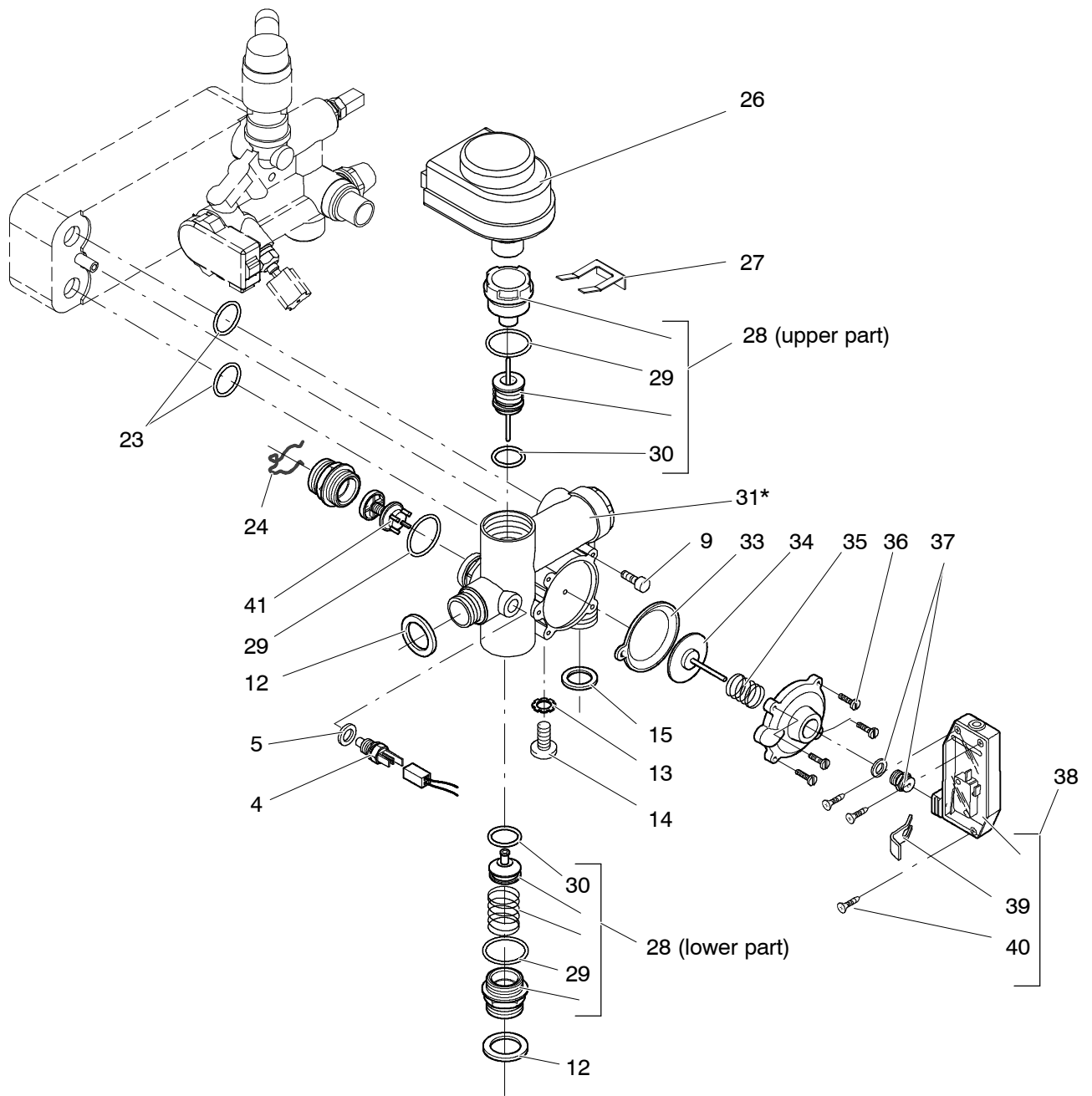


* Includes items 6, 18, 25

M90E.24S
M90E.28S
M90E.32S

47-970-17
47-970-18
47-970-21

C.h. flow group and three way diverter valve

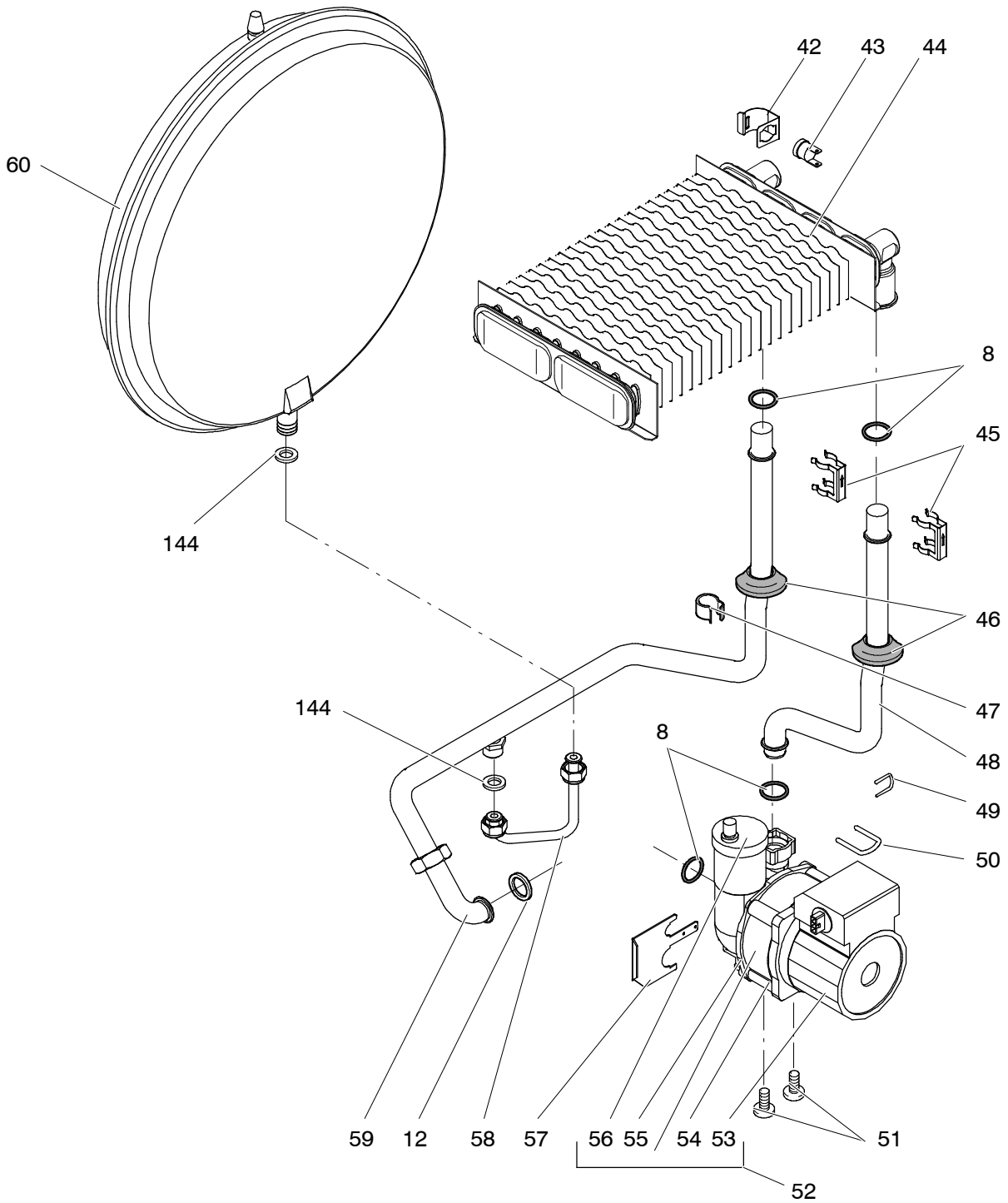


* Includes items 28, 33, 34, 35, 36, 37, 29, 41

M90E.24S
M90E.28S
M90E.32S

47-970-17
47-970-18
47-970-21

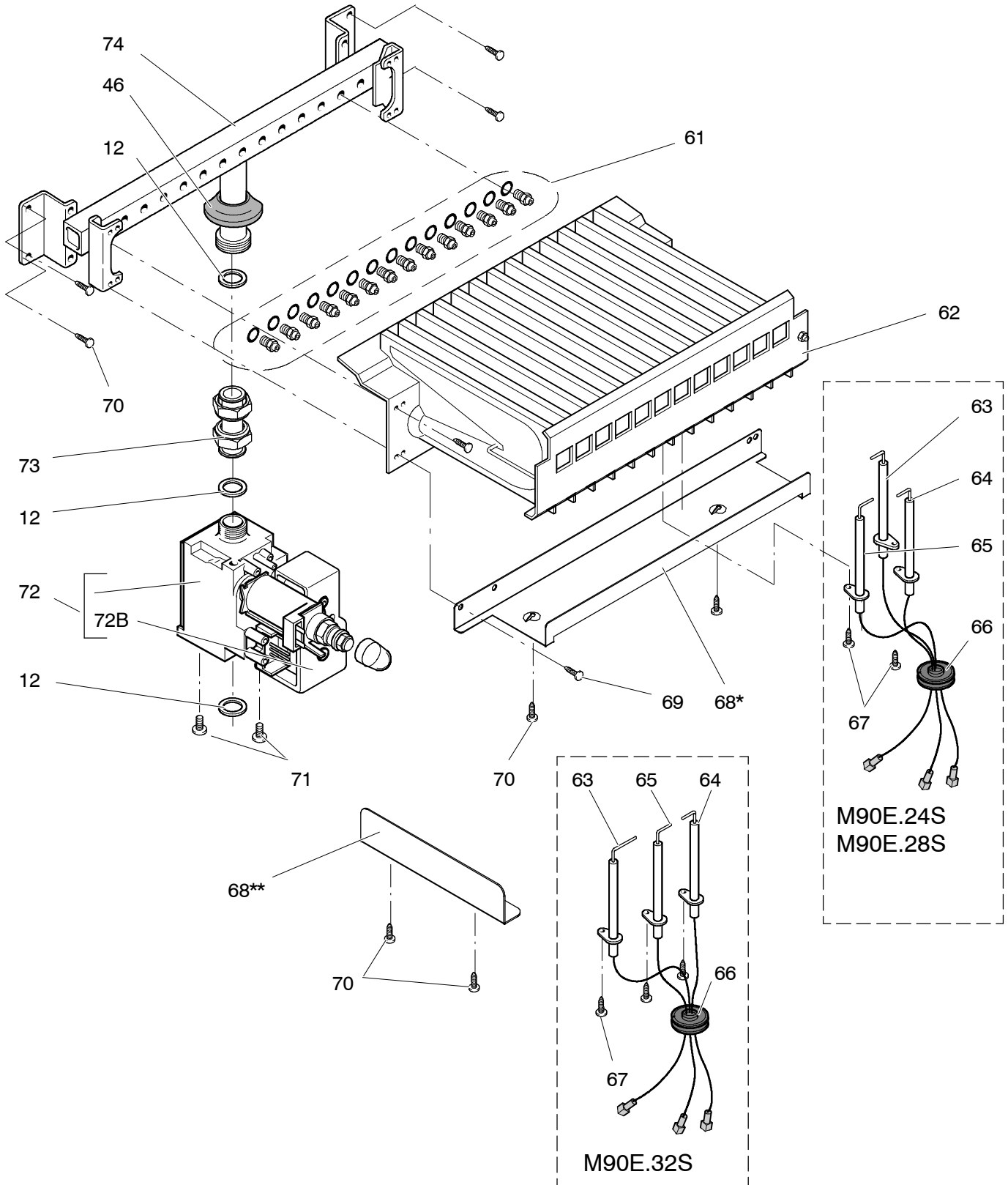
Pump and main circuit assembly



M90E.24S
M90E.28S
M90E.32S

47-970-17
47-970-18
47-970-21

Gas assembly



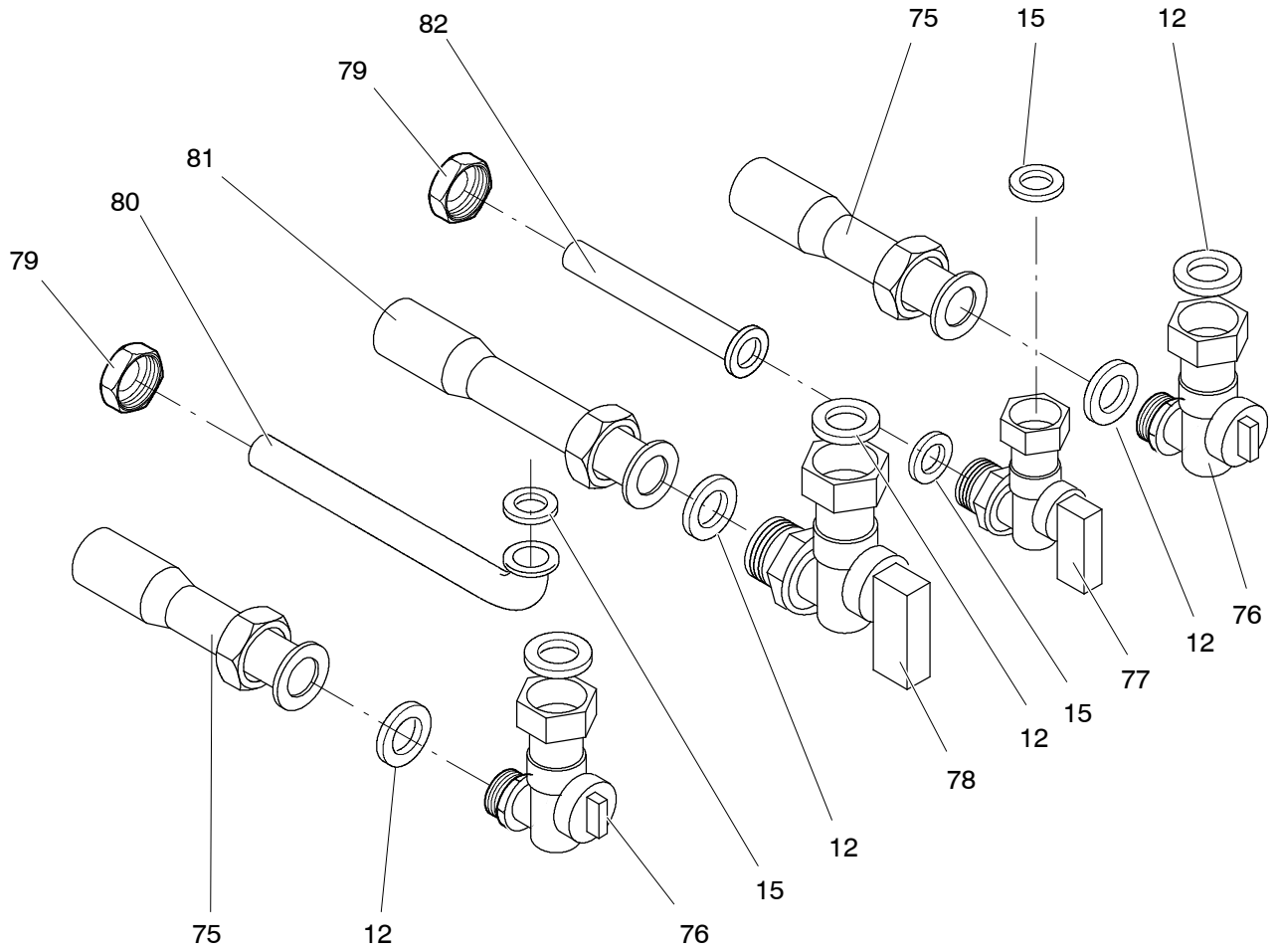
* For models M90E.28S

** For models M90E.32S

M90E.24S
M90E.28S
M90E.32S

47-970-17
47-970-18
47-970-21

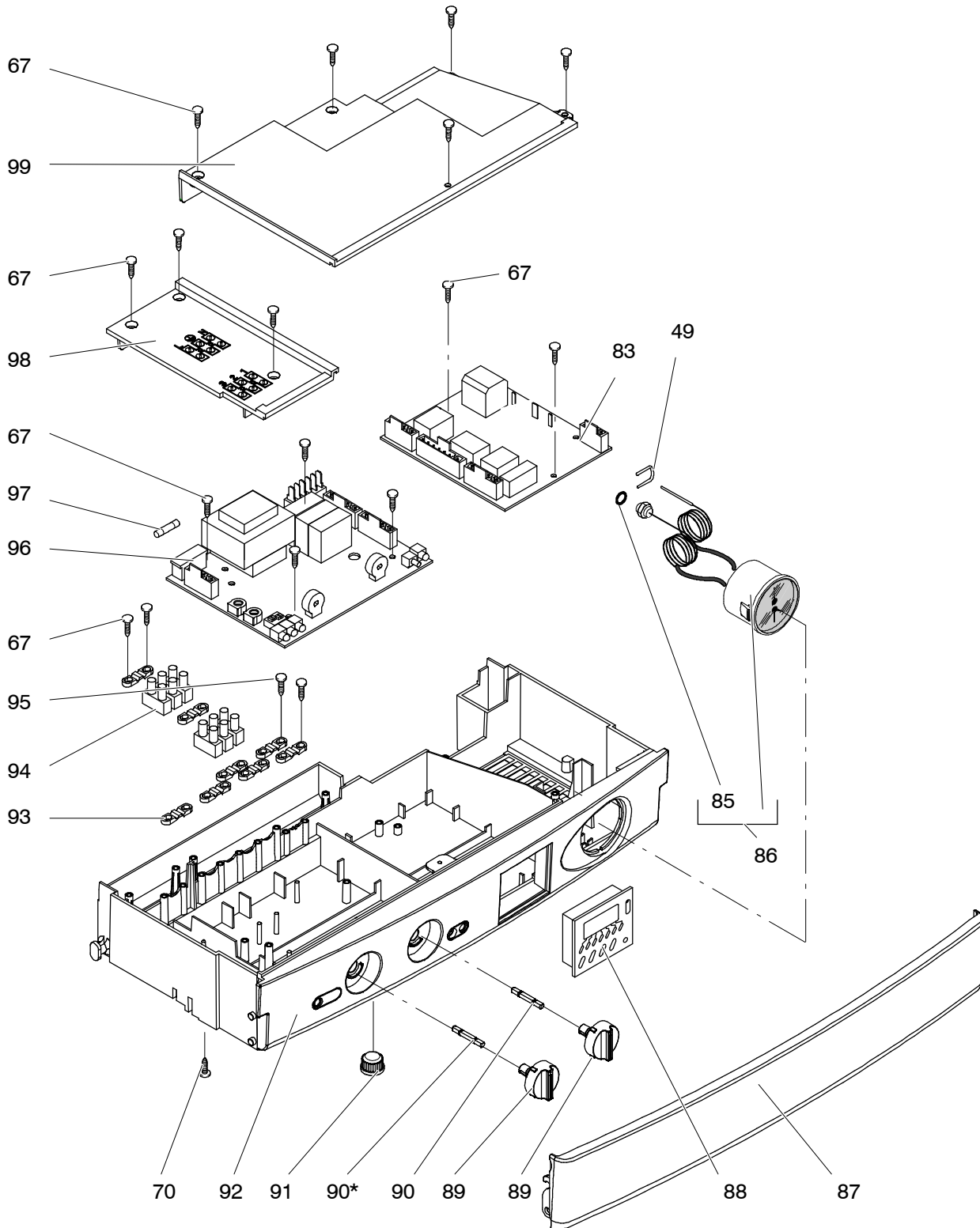
Valves and connection pipes



M90E.24S
M90E.28S
M90E.32S

47-970-17
47-970-18
47-970-21

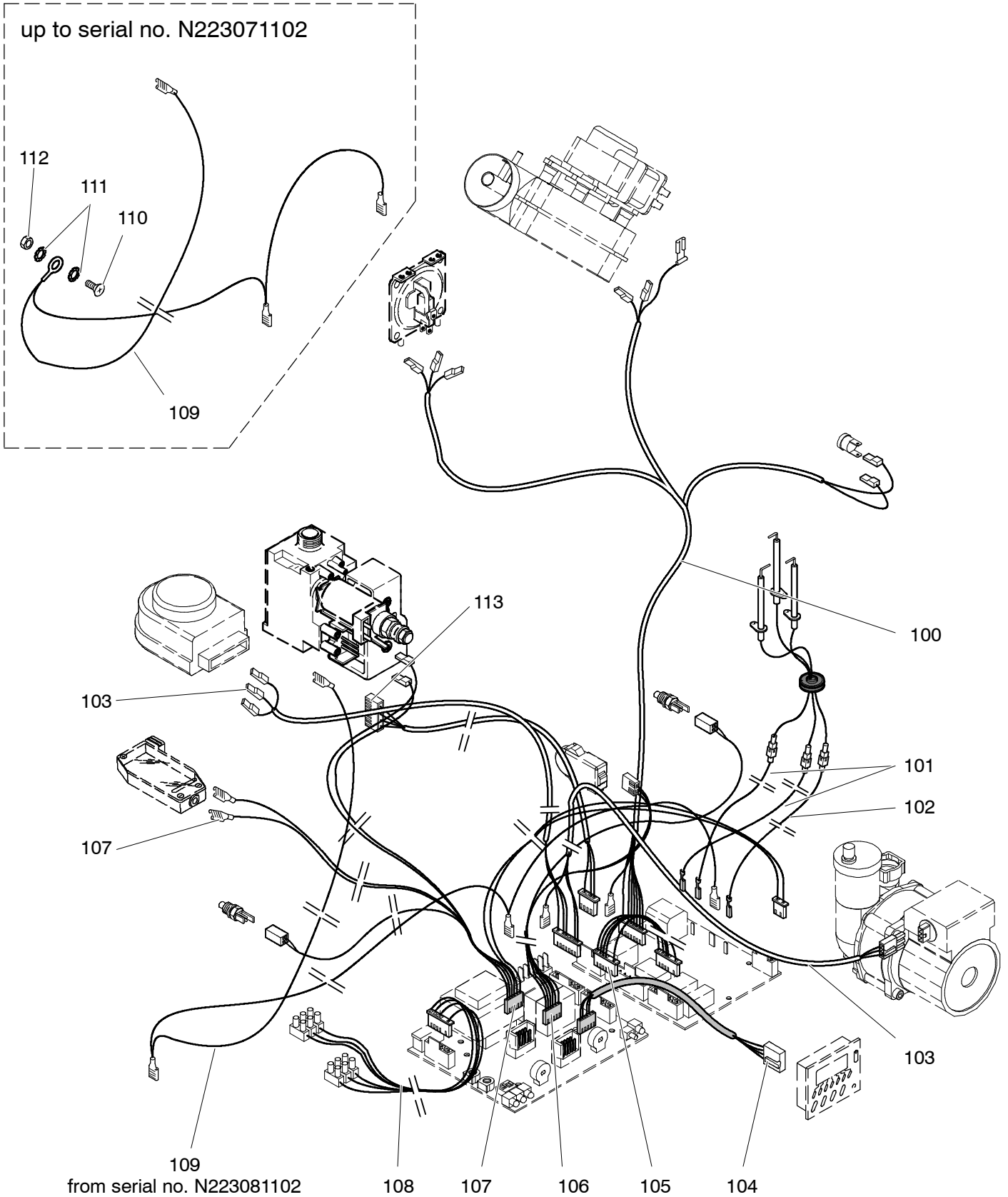
Control panel and ignition device



M90E.24S
M90E.28S
M90E.32S

47-970-17
47-970-18
47-970-21

Wiring

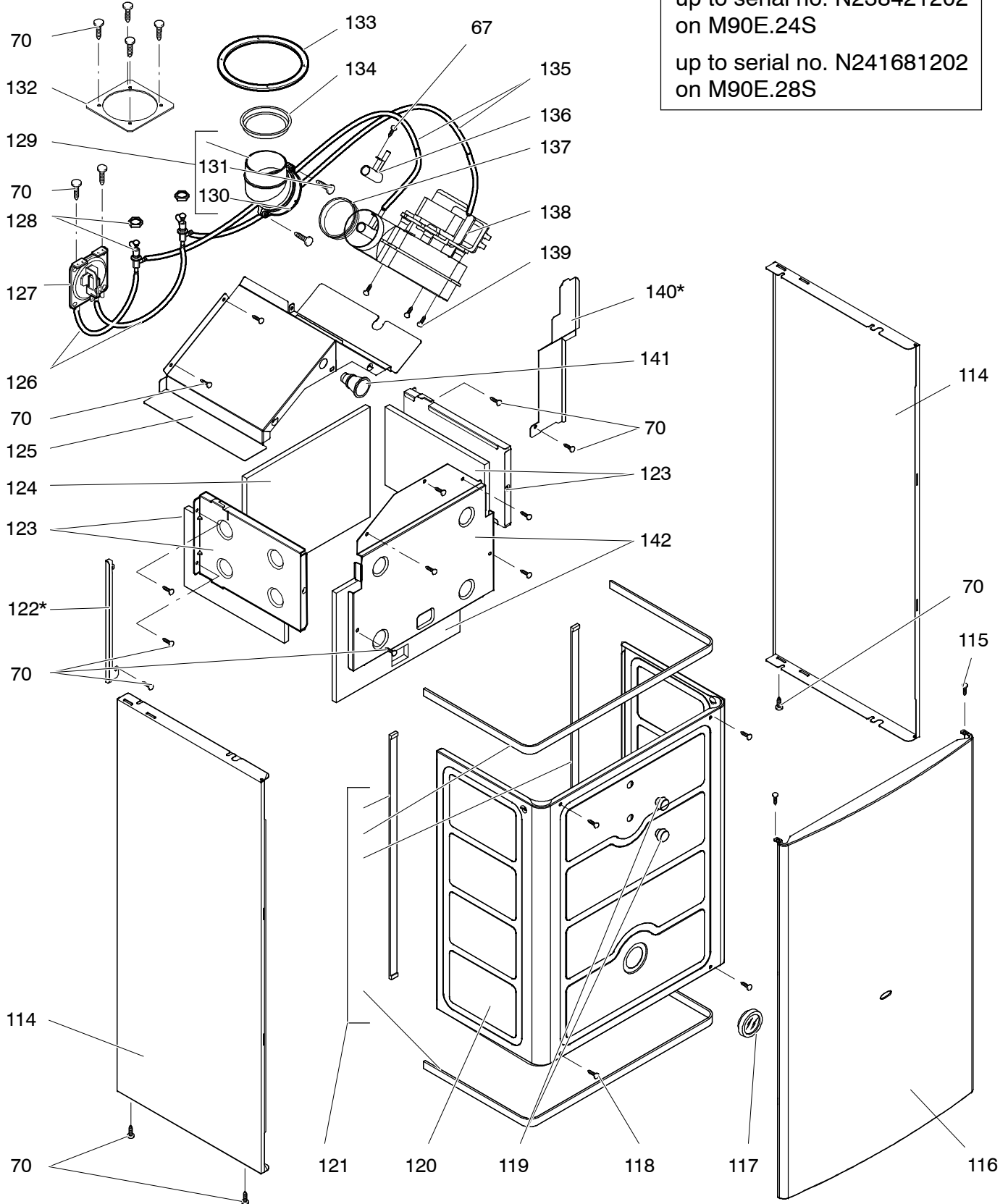


M90E.24S
M90E.28S

47-970-17
47-970-18

Fan, combustion chamber and case panels

up to serial no. N238421202
on M90E.24S
up to serial no. N241681202
on M90E.28S

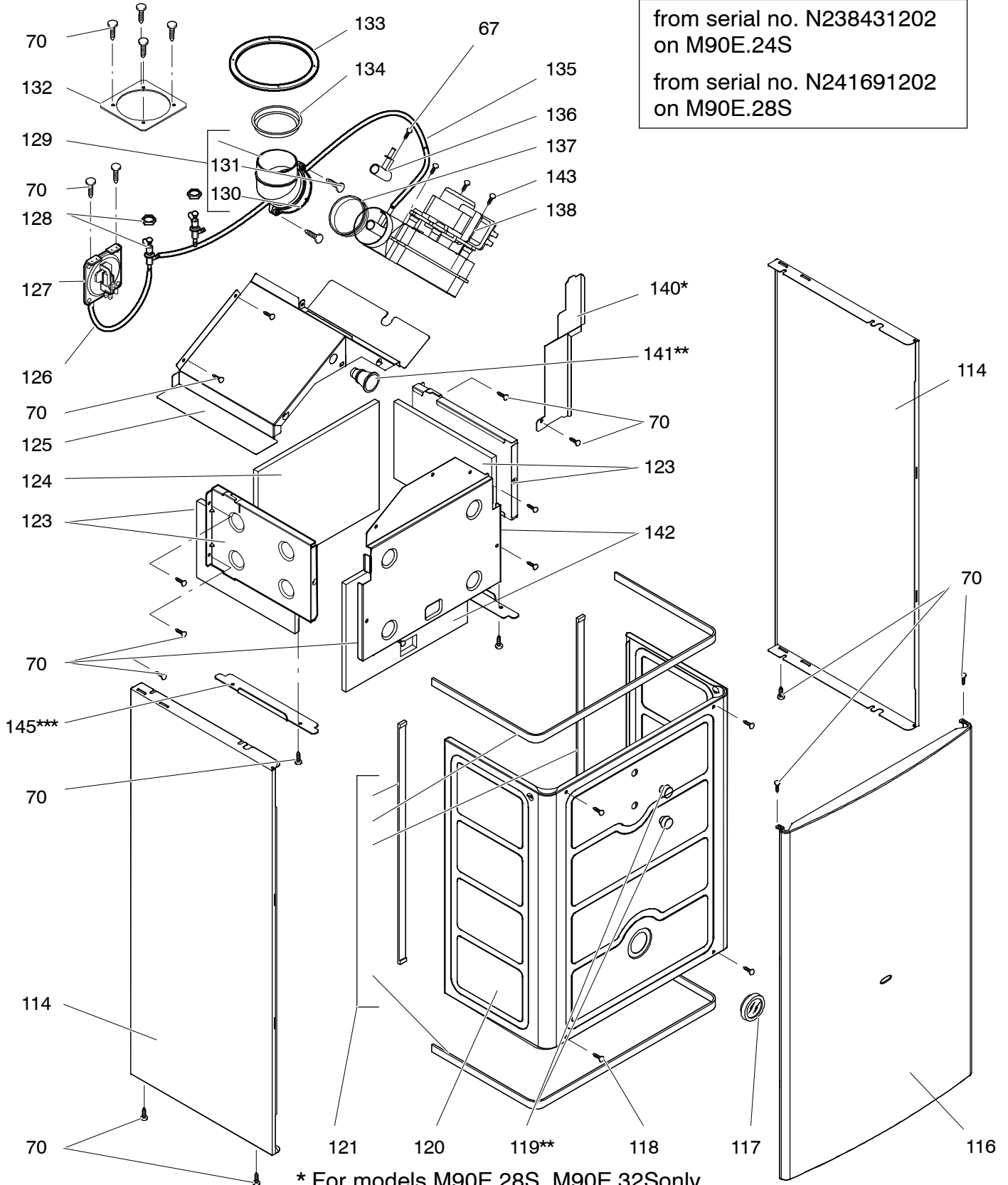


* For model M90E.28S only

M90E.24S
M90E.28S
M90E.32S

47-970-17
47-970-18
47-970-21

Fan, combustion chamber and case panels



from serial no. N238431202
on M90E.24S
from serial no. N241691202
on M90E.28S

* For models M90E.28S, M90E.32S only
** Not for model M90E.32S
*** For model M90E.32S only

DRAFT BRITISH GAS PART LIST

Date _____
 Sheet 1 of 11
 Manufacturer Biasi SpA – Italy
 Appliance(s) M90E.24S M90E.28S M90E.32S
 GC Appliance Number(s) 47–970–17 47–970–18 47–970–21
 Contract Name _____
 Telephone Number _____

(a)	(b)	(c)	(d)	(e)	(f)	(g)	(h)	(i)	(j)	(k)
Key no.	GC Part Number	Description	No. Off	Makers part number which have a CG number	Maker's old part number which have since been changed	Maker's new part number which DO NOT have a GC number	M B F	Original Supplier	Original Supplier part number	Retail price excl. VAT
		Position of data badge: inner side of left case panel								
	E83–012	Instructions booklets set	1	BI1911 503			M			
		up to serial no. N238421202 on M90E.24S,								
		up to serial no. N241681202 on M90E.28S,								
		Instructions booklets set M90E.32S	1			BI1911 506	M			
		from serial no. N238431202 on M90E.24S								
		from serial no. N241691202 on M90E.28S								
1	E83–013	Safety valve 3 bar	1	BI1131 100			B	Watts Interme – Caldaro Italy	3 bar	
								Orkli (alternative)	3 bar	
2	E83–014	Safety valve connection	1	BI1001 127			M			
3	E83–015	Safety valve connection pipe	1	BI1131 102			M			
3 A		Safety valve connection pipe	1			BI1131 106	M			
		(replacement for discontinued BI1131 102)								
4	164–026	Temperature probe (special)	2	BI1001 117			M			
5	164–025	Flat gasket 3/8" O.D 15 mm, i.d. 9.7 mm	2	BI1001 109			M			
6	E00–679	O–ring gasket 1,78x15,6	1	BI1001 131			M			
7	E00–669	Drainage valve	1	BI1011 104			B	Watts Interme – Caldaro Italy	RSR8 1/4"	
8	169–025	O–ring gasket 17,04x3,53	5	KI1043 114			M			
9	E00–671	Screw M5x16 – Hexagon socket cap	2	BI1001 125			F			
11	E83–016	Return group kit	1	BI1131 501			M			
12	169–033	Flat gasket 3/4"	9	BI1001 108			M			
13	E23–757	Toothed lock washer external 6,4 mm	2	BI1001 124			F			
14	E00–670	Screw M6x8 – BZP RPH	2	BI1001 123			F			
15	169–141	Gasket 1/2"	3	BI1001 106			M			
16	E83–018	Flow limiter 10 Litres/min	1	BI1091 102			B	Acqua Flow		

CONTINUATION SHEET

Sheet 2 of 11

Appliance number(s) 47-970-17 47-970-18 47-970-21

(a)	(b)	(c)	(d)	(e)	(f)	(g)	(h)	(i)	(j)	(k)
Key no.	GC Part Number	Description	No. Off	Makers part number which have a CG number	Maker's old part number which have since been changed	Maker's new part number which DO NOT have a GC number	M B F	Original Supplier	Original Supplier part number	Retail price excl. VAT
16	A E83-019	Flow limiter 12 Litres/min	1	BI1091 103			B	Acqua Flow		
17	E00-678	O-ring gasket 2,62x20,63	1	BI1001 130			M			
18	E83-081	Magnetic flow switch and filter kit	1	BI1091 502			M			
19	E83-082	D.h.w. flow switch	1	BI1091 104			M			
20	E01-204	Exchanger DHW - M90E.24S	1	BI1001 101			M			
20	A E01-205	Exchanger DHW - M90E.28S	1	BI1001 102			M			
20	B	Exchanger DHW - M90E.32S	1			BI1161 100	M			
21	E00-668	O-ring gasket 1,78x12,42 by-pass pipe	2	BI1001 115			M			
22	E83-083	By-pass pipe	1	BI1131 101			M			
23	169-060	O-ring gasket 18,64x3,53	4	KI1043 144			M			
24	E00-672	By-pass pipe fixing fork	2	BI1001 111			M			
25	E00-676	O-ring gasket 1,78x14	1	BI1001 129			M			
26	E83-086	Diverter valve actuator	1	BI1101 102			B	Elbi International SpA Collegno italy	1650/6/0	
27	E83-090	Diverter valve actuator fixing spring	1	BI1101 101			M			
28	E83-091	Diverter valve kit	1	BI1141 501			M			
29	E00-680	O-ring gasket 2,62x23,47	3	BI1011 107			M			
30	E83-092	O-ring gasket 2,7x13,6	2	BI1011 117			M			
31	E83-095	Flow group kit	1	BI1141 500			M			
33	E00-688	Central heating pressure switch membrane	1	BI1011 103			M			
34	E00-687	Central heating pressure switch disk	1	BI1011 111			M			
35	E00-686	Central heating pressure switch spring	1	BI1011 110			M			
36	E00-685	Screw M4x12 mm Stainless steel SCH	4	BI1011 109			F			
37	E00-681	Microswitch guide bush	1	BI1011 502			M			
38	E00-684	Microswitch kit	1	BI1011 505			M			
39	E00-683	Microswitch box fixing clip	1	BI1011 105			M			

CONTINUATION SHEET

Sheet 3 of 11

Appliance number(s) 47-970-17 47-970-18 47-970-21

(a)	(b)	(c)	(d)	(e)	(f)	(g)	(h)	(i)	(j)	(k)
Key no.	GC Part Number	Description	No. Off	Makers part number which have a CG number	Maker's old part number which have since been changed	Maker's new part number which DO NOT have a GC number	M B F	Original Supplier	Original Supplier part number	Retail price excl. VAT
40	E00-682	Screw 2,9x13 mm AB self tapping BZP - RCH	3	BI1011 108			F			
41	E00-689	By-pass kit	1	BI1011 501			M			
42		Overheat thermostat fixing clip	1			BI1182 100	M			
43	E83-101	Overheat thermostat	1	BI1172 105			B	Elth	261 105° C	
44		Main exchanger M90E.24S	1			BI1182 101	M			
		up to serial no. N224430303								
44		Main exchanger M90E.24S	1			BI1202 101	M			
		from serial no. N224440303								
44 A		Main exchanger M90E.28S	1			BI1182 102	M			
		up to serial no. N255260203								
44 A		Main exchanger M90E.28S	1			BI1202 102	M			
		from serial no. N255270203								
44 B		Main exchanger M90E.32S	1			BI1222 100	m			
45		Main exchanger connection clip	2			BI1182 106	M			
46	169-104	Grommet	3	BI1002 113			M			
47	169-045	Probe holder	1	BI1105 108			M			
48		Main exchanger inlet pipe	1			BI1182 103	M			
		up to serial no. N224430303 on M90E.24S								
		up to serial no. N255260203 on M90E.28S								
48		Main exchanger inlet pipe	1			BI1202 103	M			
		from serial no. N224440303 on M90E.24S								
		from serial no. N255270203 on M90E.28S								
49	169-040	Fork	1	KI1042 115			M			
50	169-039	Fork	1	KI1042 120			M			
51	402-325	Screw M6x10 - BZP RPH	2	BI1172 115			F			

CONTINUATION SHEET

Sheet 4 of 11

Appliance number(s) 47-970-17 47-970-18 47-970-21

(a)	(b)	(c)	(d)	(e)	(f)	(g)	(h)	(i)	(j)	(k)
Key no.	GC Part Number	Description	No. Off	Makers part number which have a CG number	Maker's old part number which have since been changed	Maker's new part number which DO NOT have a GC number	M B F	Original Supplier	Original Supplier part number	Retail price excl. VAT
52	E83-111	Pump (complete)	1	BI1172 104			M			
52	A	Pump (complete) (replacement for discontinued BI1172 104)	1			BI1222101	M			
53	E83-113	Pump (motor)	1	BI1172 114			B	Wilo	NFHUL 15/5	
53	A	Pump (motor) (replacement for discontinued BI1172 114)	1			BI1222 102	B	Wilo	NFHUL 15/5	
54	E83-114	Pump gasket (front)	1	BI1172 113			M			
55	E83-116	Pump gasket (rear)	1	BI1172 112			M			
56	E83-117	Automatic air purger valve	1	BI1172 111			M			
57	E83-118	Pump connection fork	1	BI1172 110			M			
58	E83-119	Expansion vessel connection pipe	1	BI1172 109			M			
59		Main exchanger outlet pipe up to serial no. N224430303 on M90E.24S up to serial no. N255260203 on M90E.28S	1			BI1182 104	M			
59		Main exchanger outlet pipe from serial no. N224440303 on M90E.24S from serial no. N255270203 on M90E.28S	1			BI1202 104	M			
60	E83-121	Expansion vessel	1	BI1172 103			B	CIMM Srl – Castello di Godego Italy Zilmet – Italy (alternative)	CP387 6L 13C0000600	
61	169-069	Injectors with gaskets 130 – NG M90E.24S, M90E.28S	14	KI1064 505			B	Polidoro		
61	A	Injectors with gaskets 77 – LPG M90E.24S, M90E.28S	14	KI1064 506			B	Polidoro		
61	B	Injectors with gaskets 130 – NG M90E.32S	16			BI1193 500	B	Polidoro		
61	C	Injectors with gaskets 77 – LPG M90E.32S	16			BI1193 501	B	Polidoro		
62	173-148	Burner M90E.24S	1	KI1004 102			B	Polidoro		
62	A	Burner M90E.28S	1	KI1004 147			B	Polidoro		

CONTINUATION SHEET

Sheet 5 of 11

Appliance number(s) 47-970-17 47-970-18 47-970-21

(a)	(b)	(c)	(d)	(e)	(f)	(g)	(h)	(i)	(j)	(k)
Key no.	GC Part Number	Description	No. Off	Makers part number which have a CG number	Maker's old part number which have since been changed	Maker's new part number which DO NOT have a GC number	M B F	Original Supplier	Original Supplier part number	Retail price excl. VAT
62	B	Burner M90E.32S	1			BI1193 100	B	Polidoro		
63	E83-112	Detection electrode M90E.24S, M90E.28S	1	BI1123 102			M			
63	A	Detection electrode M90E.32S	1			BI1193 104	M			
64	E83-126	Ignition electrode - right M90E.24S, M90E.28S	1	BI1123 103			M			
64	A	Ignition electrode - right M90E.32S	1			BI1193 103	M			
65	E83-127	Ignition electrode - left M90E.24S, M90E.28S	1	BI1123 101			M			
65	A	Ignition electrode - left M90E.32S	1			BI1193 102	M			
66	169-125	Grommet	1	BI1002 115			M			
67	409-736	Tapping screw 3,5x9,5 recessed pan head	24	BI1013 115			F			
68	E83-128	Air deflector M90E.24S	1	BI1183 102			M			
		up to serial no. N241681202 on M90E.28S								
68		Air deflector from serial no. N241691202 on M90E.28S	1			BI1183 109	M			
68	A	Air deflector on M90E.32S	1			BI1193 106	M			
69	409-531	Taptite screw M4x8 Recessed pan head Hardened steel	4	BI1013 111			F			
		Bright Zinc Plated BS3382 Clear passivated and lanolin								
		Dipped								
70	409-722	Tapping Screw ISO No8 B 4,2x9,5 Recessed Pan Head	34	BI1013 110			F			
		Hardened Steel BS4174 Bright Zinc plate BS1706 Clear								
		Passivated								
71	402-124	Machine Screw M4x8 mm Recessed pan head Mild steel	2	BI1013 114			F			
		BS4183 Bright zinc plate BS3382 Clear passiv.								
72	E83-129	Gas valve	1	BI1093 104			B	Sit	845 Sigma	
72	A	Gas valve	1			BI1193105	B	Sit	845 Sigma	
		(replacement for discontinued BI1093104)								
72	B	Gas valve on-off operator coils				BI1093 107	B	Sit	0.967.158	

CONTINUATION SHEET

Sheet 6 of 11

Appliance number(s) 47-970-17 47-970-18 47-970-21

(a)	(b)	(c)	(d)	(e)	(f)	(g)	(h)	(i)	(j)	(k)
Key no.	GC Part Number	Description	No. Off	Makers part number which have a CG number	Maker's old part number which have since been changed	Maker's new part number which DO NOT have a GC number	M B F	Original Supplier	Original Supplier part number	Retail price excl. VAT
73	E83-130	Gas pipe to the manifold	1	BI1183 101			M			
74	E83-131	Gas manifold with injectors NG M90E.24S	1	BI1183 103			B	Polidoro		
74 A	E83-132	Gas manifold with injectors LPG M90E.24S	1	BI1183 104			B	Polidoro		
74 B	E83-133	Gas manifold with injectors NG M90E.28S	1	BI1183 105			B	Polidoro		
74 C	E83-134	Gas manifold with injectors LPG M90E.28S	1	BI1183 106			B	Polidoro		
74 D		Gas manifold with injectors NG M90E.32S	1			BI1193 107	B	Polidoro		
74 E		Gas manifold with injectors LPG M90E.32S	1			BI1193 108	B	Polidoro		
75	E83-135	C.h. connection pipe	2	BI1084 110			M			
76	E83-136	Tap 3/4" - c.h.	2	BI1084 105			B			
77	E83-137	Tap 1/2" - d.h.w.	1	BI1084 101			B			
78	E83-138	Tap 3/4" - gas	1	BI1084 100			B			
79	E01-226	Nut 1/2"	2	BI1004 101			M			
80	E83-139	Pipe 15 mm dia (bent) d.h.w.	1	BI1084 109			M			
81	E83-140	Pipe 22 mm dia gas	1	BI1084 111			M			
82	E83-141	Pipe 15 mm dia (straight) d.h.w.	1	BI1084 107			M			
83	E83-142	Full sequence control device	1	BI1305 101			B	Bertelli & Partners	FM30	
85	E83-144	O-ring gasket 1,78 x 6,75	1	BI1475 119			M			
86	E83-145	Temperature-pressure gauge	1	BI1475 108			M			
87		Cover panel	1			BI1515 100	M			
88		Time switch	1			BI1525 101	B	Flash	Monotron 200 23011	
89		Knob	2			BI1515 101	M			
90	E83-149	Shaft	2	BI1475 105			M			
91	E83-150	Control panel plug	1	BI1475 110			M			
92		Control panel box	1			BI1525 100	M			
93	E83-152	Cable holder	8	KI1066 102			B	Fastpoint S.r.l.	1207.BB01 XS	

CONTINUATION SHEET

Sheet 7 of 11

Appliance number(s) 47-970-17 47-970-18 47-970-21

(a)	(b)	(c)	(d)	(e)	(f)	(g)	(h)	(i)	(j)	(k)
Key no.	GC Part Number	Description	No. Off	Makers part number which have a CG number	Maker's old part number which have since been changed	Maker's new part number which DO NOT have a GC number	M B F	Original Supplier	Original Supplier part number	Retail price excl. VAT
94	E83-153	Terminal block	2	BI1475 109			B	Elettrogibi	PA27	
								Odoardo Korner (alternative)	OK-433-FV	
95	409-727	Screw 3,5x16 mm self tap RPH	4	BI1165 101			F			
96		Electronic control p.c.b.	1			BI1475 114	M			
96 A		Electronic control p.c.b.	1			BI1515 107	M			
		(replacement for discontinued BI1475114)								
97	169-083	Fuse 1.6A	1	BI1005 105			B			
98	E83-155	Service panel cover	1	BI1475 111			M			
99	E83-156	Control panel cover	1	BI1475 112			M			
100	E83-159	Fan cable	1	BI1485 112			M			
101	E83-160	Ignition electrode cable	2	BI1485 101			M			
102	E83-161	Flame detection electrode cable	1	BI1485 102			M			
103	E83-162	Pump-diverter valve cable	1	BI1485 103			M			
104	E83-163	Time switch cable	1	BI1485 111			M			
105	E83-164	Electronic control p.c.b.-ignition device connection cable	1	BI1485 104			M			
106	E83-165	D.h.w. flow switch and temp. probe cable	1	BI1485 105			M			
107	E83-166	C.h. flow switch, temp. probe cable and modulator cable	1	BI1485 106			M			
108	E83-168	Power supply and external control cable	1	BI1485 107			M			
109	E83-169	Earth wiring (up to serial no. N223071102)	1	BI1485 108			M			
109		Earth wiring (from serial no. N223081102)	1			BI1485 116	M			
110	402-225	Machine Screw M5x10 Recessed Pan Head Mild steel	1	BI1035 109			F			
		BS4183 Bright zinc plate BS3382 Clear Passivated								
111	164-133	Toothed lock washer external 5,3x10 mm stainless	2	BI1035 110			F			
112	404-609	Full nut M5 Hexagon Steel grade 8 BS3692 Bright zinc	1	BI1035 111			F			
		plate BS3382 clear passivated								

CONTINUATION SHEET

Sheet 8 of 11

Appliance number(s) 47-970-17 47-970-18 47-970-21

(a)	(b)	(c)	(d)	(e)	(f)	(g)	(h)	(i)	(j)	(k)
Key no.	GC Part Number	Description	No. Off	Makers part number which have a CG number	Maker's old part number which have since been changed	Maker's new part number which DO NOT have a GC number	M B F	Original Supplier	Original Supplier part number	Retail price excl. VAT
113	E83-170	Gas valve cable	1	BI1485 109			M			
114		Side case panel	2			BI1346 500	M			
115	409-702	Screw 4,2x13 mm AB self tapping RPH BZP	2	BI1336 115			F			
116		Front case panel	1			BI1346 501	M			
117	E69-243	Window (glass + rubber frame)	1	BI1206 118			M			
118	409-747	Screw 4,8x13 mm AB self tapping RPH BZP	4	BI1336 114			F			
119	E83-174	Sampling point plug	2	BI1336 110			M			
120	E83-175	Sealed chamber lid	1	BI1336 100			M			
121	E83-176	Sealed chamber gaskets kit	1	BI1336 500			M			
122	E83-177	Air deflector left M90E.28S	1	BI1336 112			M			
123	E83-178	Combustion chamber side panel	2	BI1326 100			M			
124	E83-180	Combustion chamber rear panel M90E.24S	1	BI1326 107			M			
124 A	E83-181	Combustion chamber rear panel M90E.28S	1	BI1326 108			M			
125	E83-182	Flue hood up to serial no. N238421202 on M90E.24S	1	BI1336 101			M			
125		Flue hood from serial no. N238431202 on M90E.24S	1			BI1366 104	M			
125 A	E83-183	Flue hood up to serial no. N241681202 on M90E.28S	1	BI1336 102			M			
125 A		Flue hood M90E.32S	1			BI1366 105	M			
		from serial no. N241691202 on M90E.28S								
126	E01-187	Flue pressure switch tube	2	BI1016 107			M			
		up to serial no. N238421202 on M90E.24S								
		up to serial no. N241681202 on M90E.28S								
126	E01-187	Flue pressure switch tube	1	BI1016 107			M			
		from serial no. N238431202 on M90E.24S								
		from serial no. N241691202 on M90E.28S								

CONTINUATION SHEET

Sheet 9 of 11

Appliance number(s) 47-970-17 47-970-18 47-970-21

(a)	(b)	(c)	(d)	(e)	(f)	(g)	(h)	(i)	(j)	(k)
Key no.	GC Part Number	Description	No. Off	Makers part number which have a CG number	Maker's old part number which have since been changed	Maker's new part number which DO NOT have a GC number	M B F	Original Supplier	Original Supplier part number	Retail price excl. VAT
127	E05-422	Air pressure switch up to serial no. N238421202 on M90E.24S	1	BI1036 102			B	Yamatake-Honeywell	C6065 1,4 mbar	
127	169 127	Air pressure switch from serial no. N238431202 on M90E.24S	1	KI1267 103			B	Yamatake-Honeywell SIT (alternative)	C6065 0,88 mbar 380 0,88 mbar	
127 A	E83-184	Air pressure switch up to serial no. N241681202 on M90E.28S	1	BI1256 114			B	Yamatake-Honeywell	C6065 1,6 mbar	
127 A		Air pressure switch from serial no. N241691202 on M90E.28S	1			BI1366 107	B	Yamatake-Honeywell SIT (alternative)	C6065 1,04 mbar 380 1,04 mbar	
127 B		Air pressure switch M90E.32S up to week 37	1			BI1376 102	B	Yamatake-Honeywell SIT (alternative)	C6065 1,83 mbar	
127 B		Air pressure switch M90E.32S from week 38	1			BI1376 104	B	Yamatake-Honeywell SIT (alternative)	C6065 1,38 mbar	
128	E05-424	Air switch pressure test point	2	BI1036 101			M			
129	E83-185	Flue elbow (complete)	1	BI1336 108			M			
130	E83-186	Flue elbow clamp	1	BI1336 113			M			
131	402-127	Screw M4x16 mm BZP - RPH	2	BI1015 115			M			
132	E01-184	Gasket - Air intake twin kit	1	BI1016 101			M			
133	169-110	Flue pipe gasket	1	BI1016 104			M			
134	E83-187	Flue restrictor ø 47	1	BI1336 106			M			
134 A		Flue restrictor Ø 44 from serial no. N238431202 on M90E.24S from serial no. N241691202 on M90E.28S	1			BI1366 108	M			
134 B		Flue restrictor Ø 50 M90E.32S	1			BI1376 103	M			

CONTINUATION SHEET

Sheet 10 of 11

Appliance number(s) 47-970-17 47-970-18 47-970-21

(a)	(b)	(c)	(d)	(e)	(f)	(g)	(h)	(i)	(j)	(k)
Key no.	GC Part Number	Description	No. Off	Makers part number which have a CG number	Maker's old part number which have since been changed	Maker's new part number which DO NOT have a GC number	M B F	Original Supplier	Original Supplier part number	Retail price excl. VAT
135	E83-188	Venturi device tube	2	BI1256 101			M			
		up to serial no. N238421202 on M90E.24S								
		up to serial no. N241681202 on M90E.28S								
135	E83-188	Venturi device tube	1	BI1256 101			M			
		from serial no. N238431202 on M90E.24S								
		from serial no. N241691202 on M90E.28S								
136	E83-189	Venturi	1	BI1036 108			M			
		up to serial no. N238421202 on M90E.24S								
		up to serial no. N241681202 on M90E.28S								
136		Venturi	1			BI1366 100	M			
		from serial no. N238431202 on M90E.24S								
		from serial no. N241691202 on M90E.28S								
137	E83-190	Flue elbow gasket	1	BI1336 103			M			
		up to serial no. N238421202 on M90E.24S								
		up to serial no. N241681202 on M90E.28S								
137		Flue elbow gasket	1			BI1366 101	M			
		from serial no. N238431202 on M90E.24S								
		from serial no. N241691202 on M90E.28S								
138	E83-191	Fan, up to serial no. N238421202 on M90E.24S	1	BI1336 104			B	LN di Natalini - Montecassiano Italy		
138		Fan, from serial no. N238431202 on M90E.24S	1			BI1366 102	B	FIME	GR02040 39W	
138 A	E83-193	Fan, up to serial no. N241681202 on M90E.28S	1	BI1336 116			B	LN di Natalini - Montecassiano Italy		
138 A		Fan, from serial no. N241691202 on M90E.28S	1			BI1366 103	B	FIME	GR02045 47W	
138 B		Fan M90E.32S up to week 37	1			BI1376 100	B	FIME	GR1740 55W	
138 B		Fan M90E.32S from week 38	1			BI1376 105	B	FIME	GR02050 60W	
139	409-720	Screw 3,5x6,5 mm AB self tapping BZP - RPH	3	KI1267 104			F			

