



# Spare Parts List

## M110.24SM/C

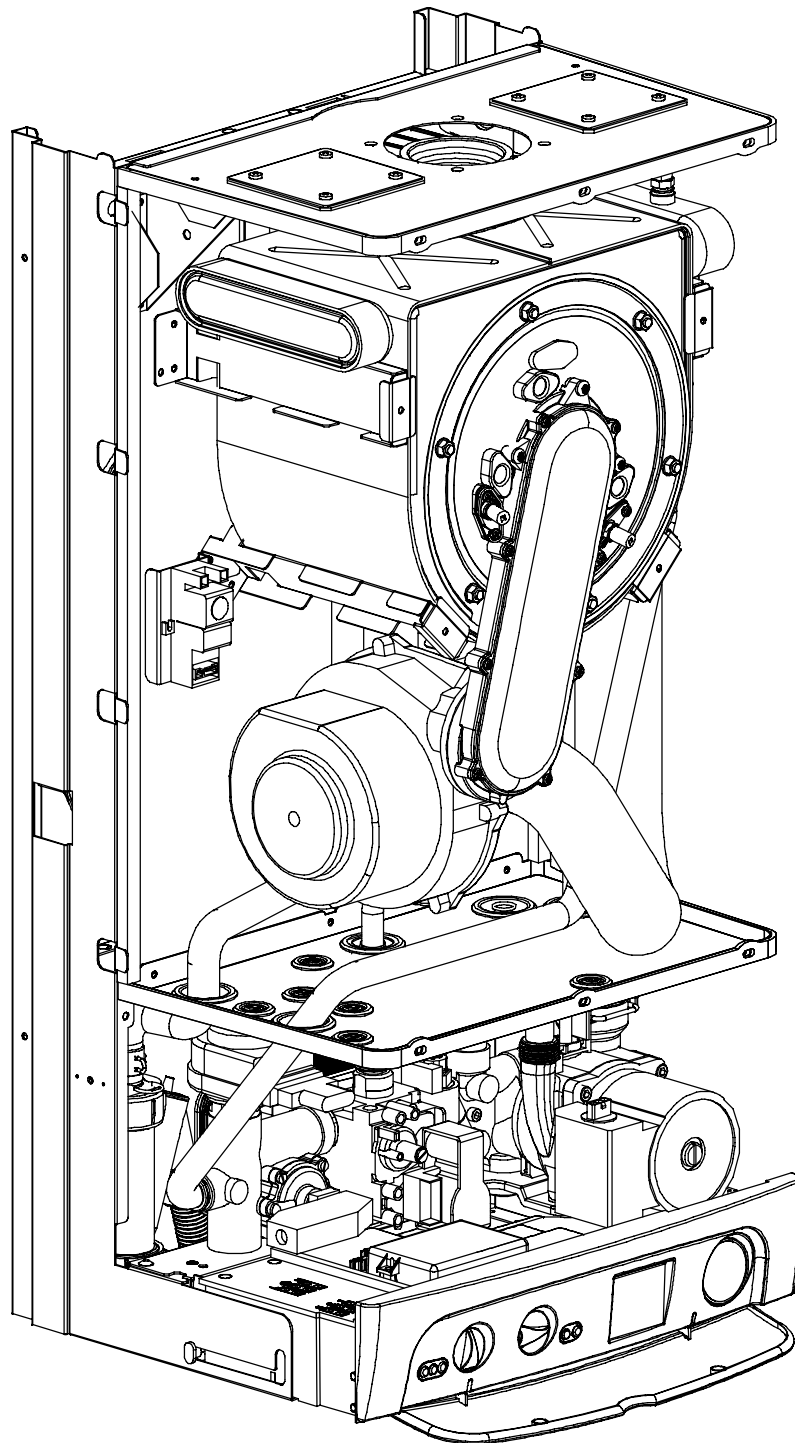
## M110.32SM/C

### Issue 06/2006

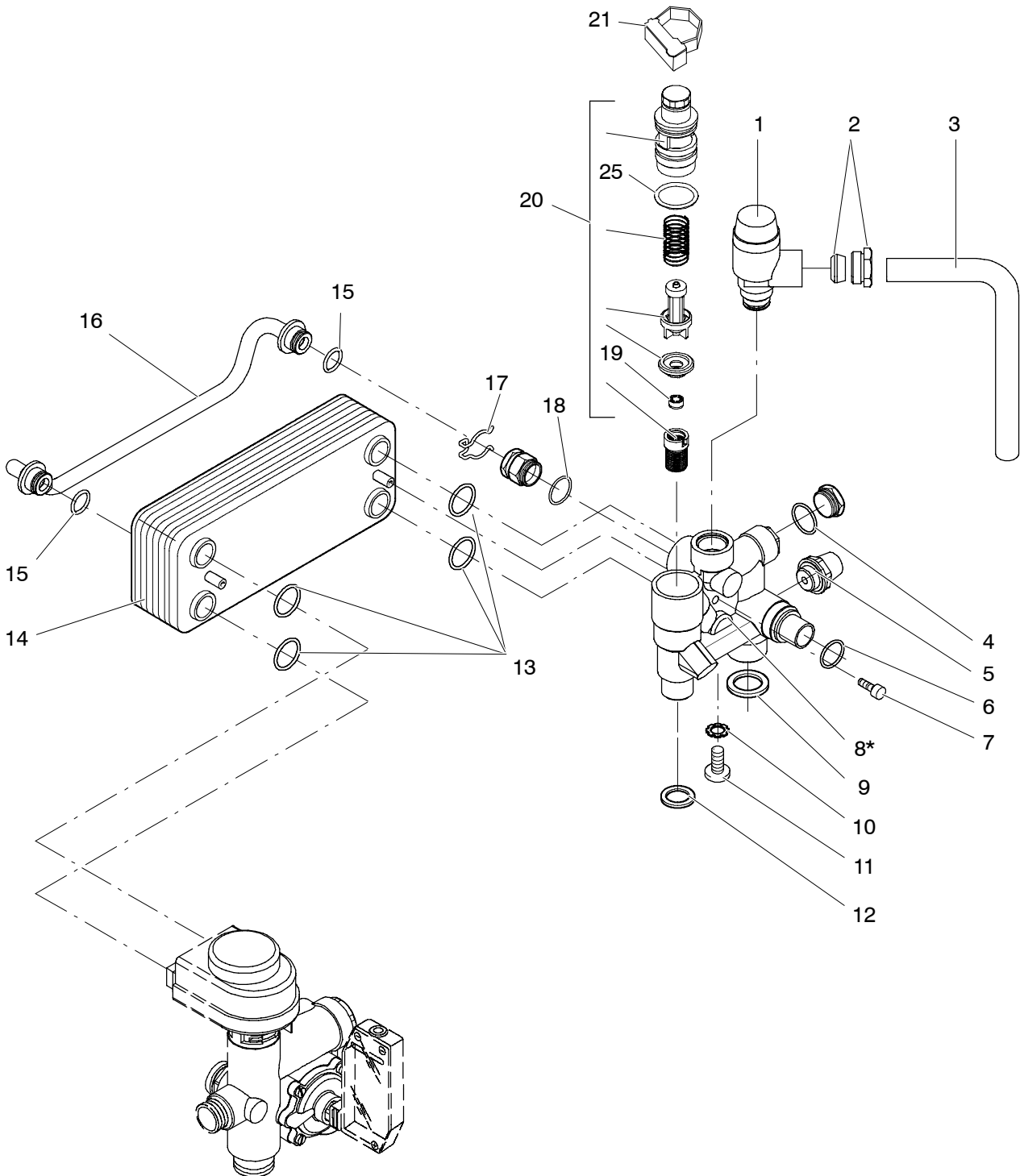
Table description	Issue	n. of pages
Overall view	10/2005	1
C.h. return group and d.h.w. heat exchanger	10/2005	1
C.h. flow group and three way diverter valve	10/2005	1
C.h. flow and return groups	10/2005	1
Pump and main circuit assembly	10/2005	1
Gas assembly up to date 09/2006	06/2006	1
Gas assembly from date 10/2006	06/2006	1
Valves and connection pipes	10/2005	1
Control panel and ignition device	10/2005	1
Wiring	06/2006	1
Fan, combustion chamber and case panels	10/2005	1
List of parts	06/2006	8

Overall view

DATA BADGE: inner side of left case panel

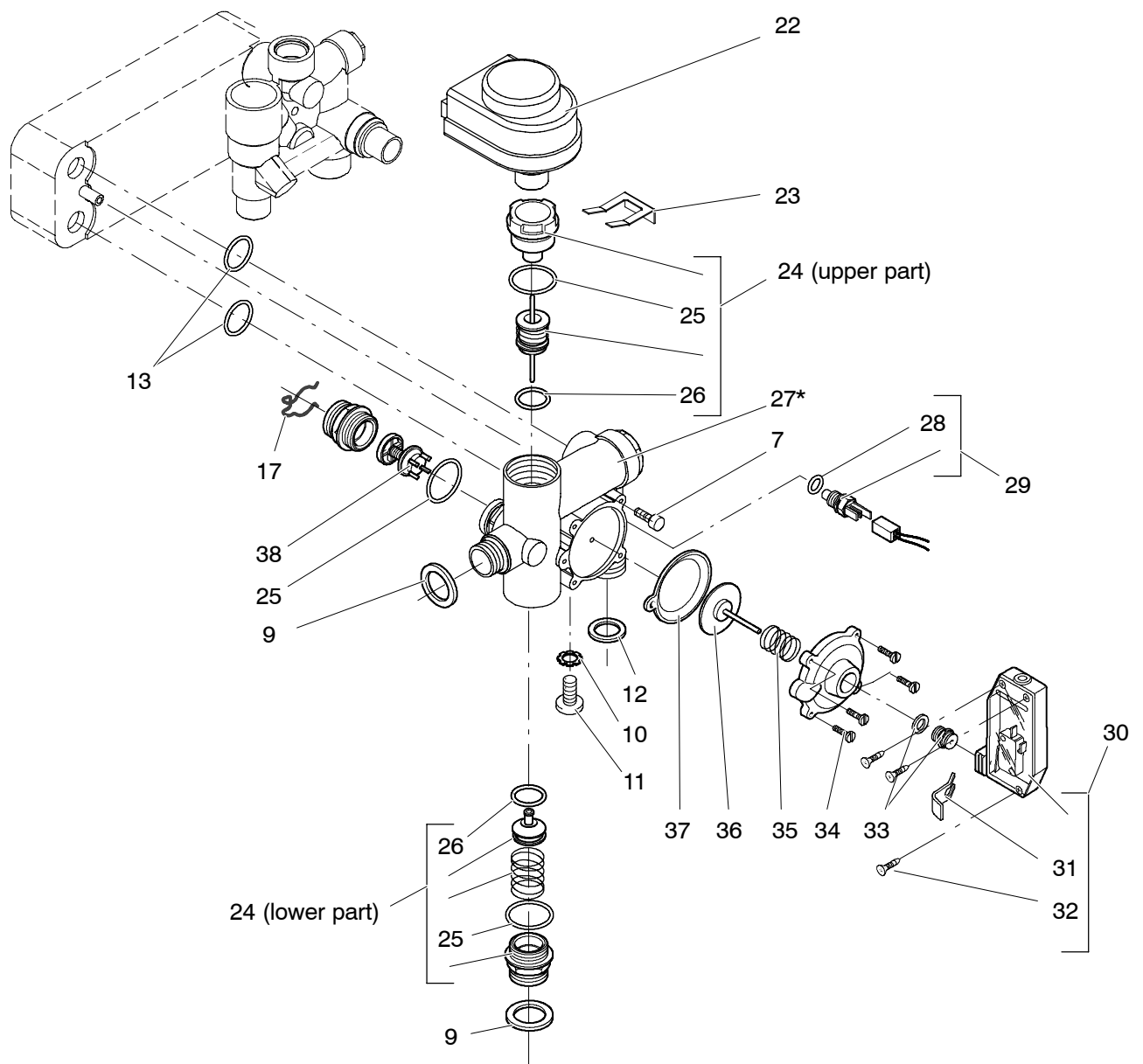


C.h. return group and d.h.w. heat exchanger



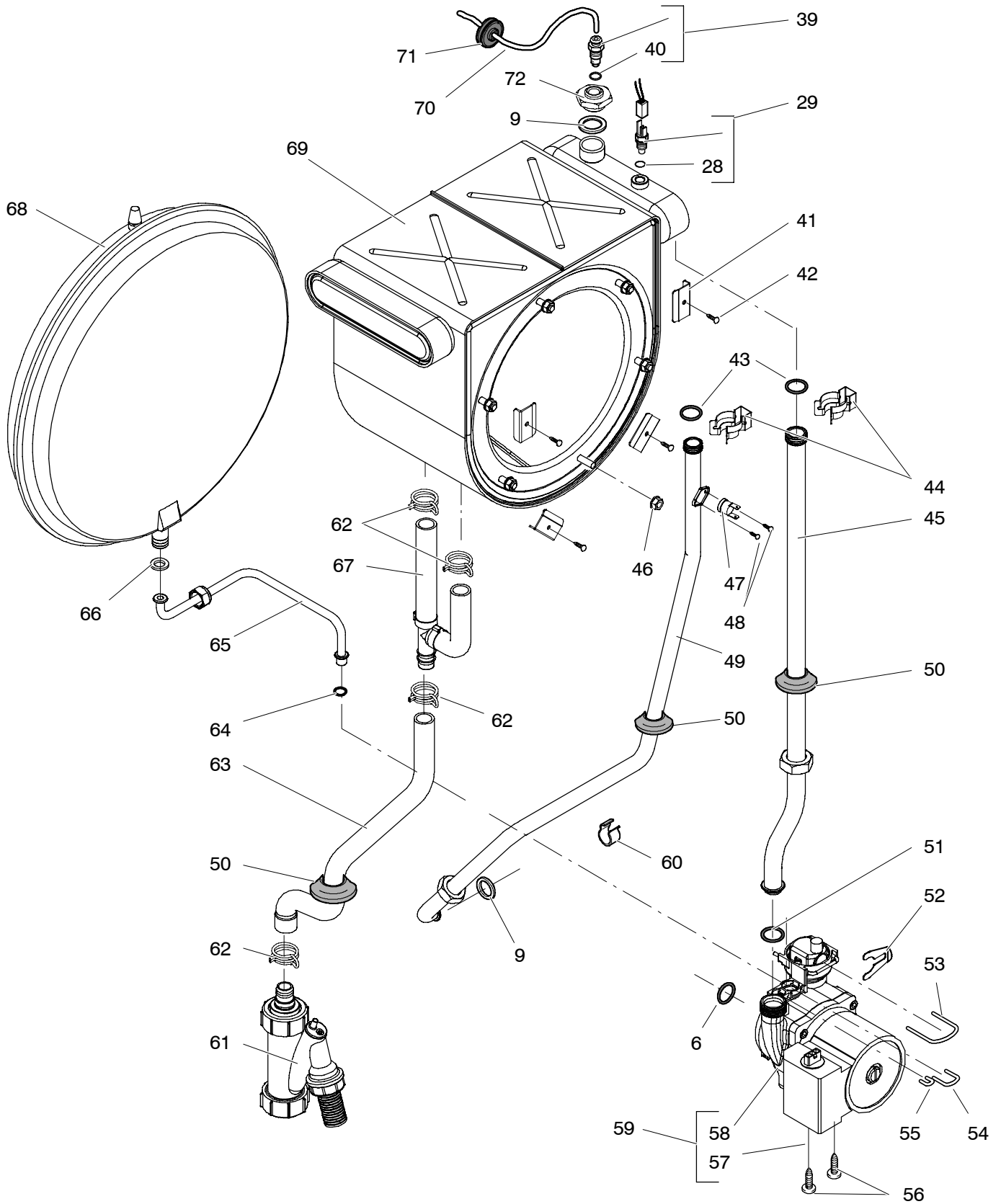
\* Includes items 4, 18, 20

C.h. flow group and three way diverter valve

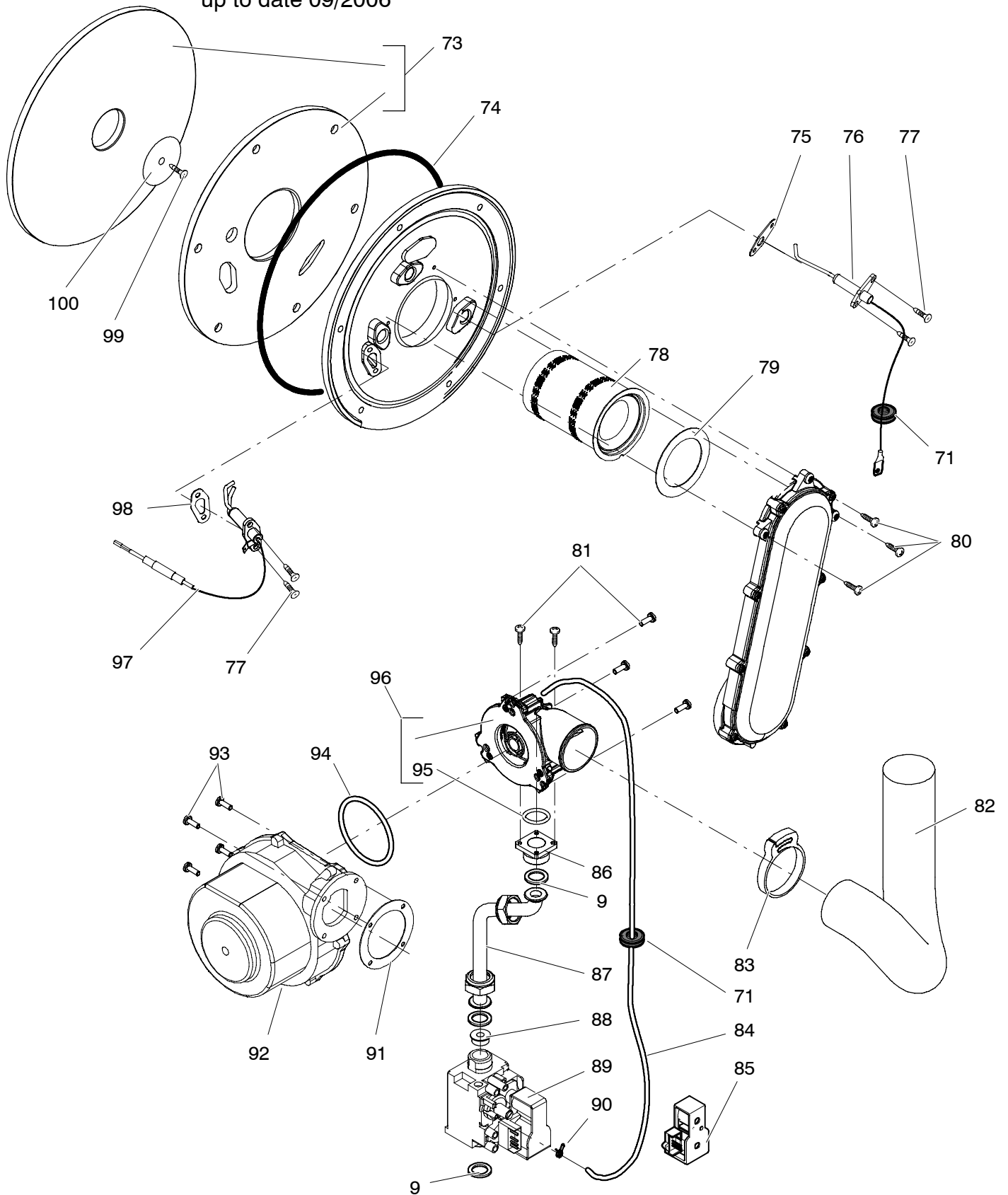


\* Includes items 24, 25, 26, 33, 34, 35, 36, 37, 38

Pump and main circuit assembly



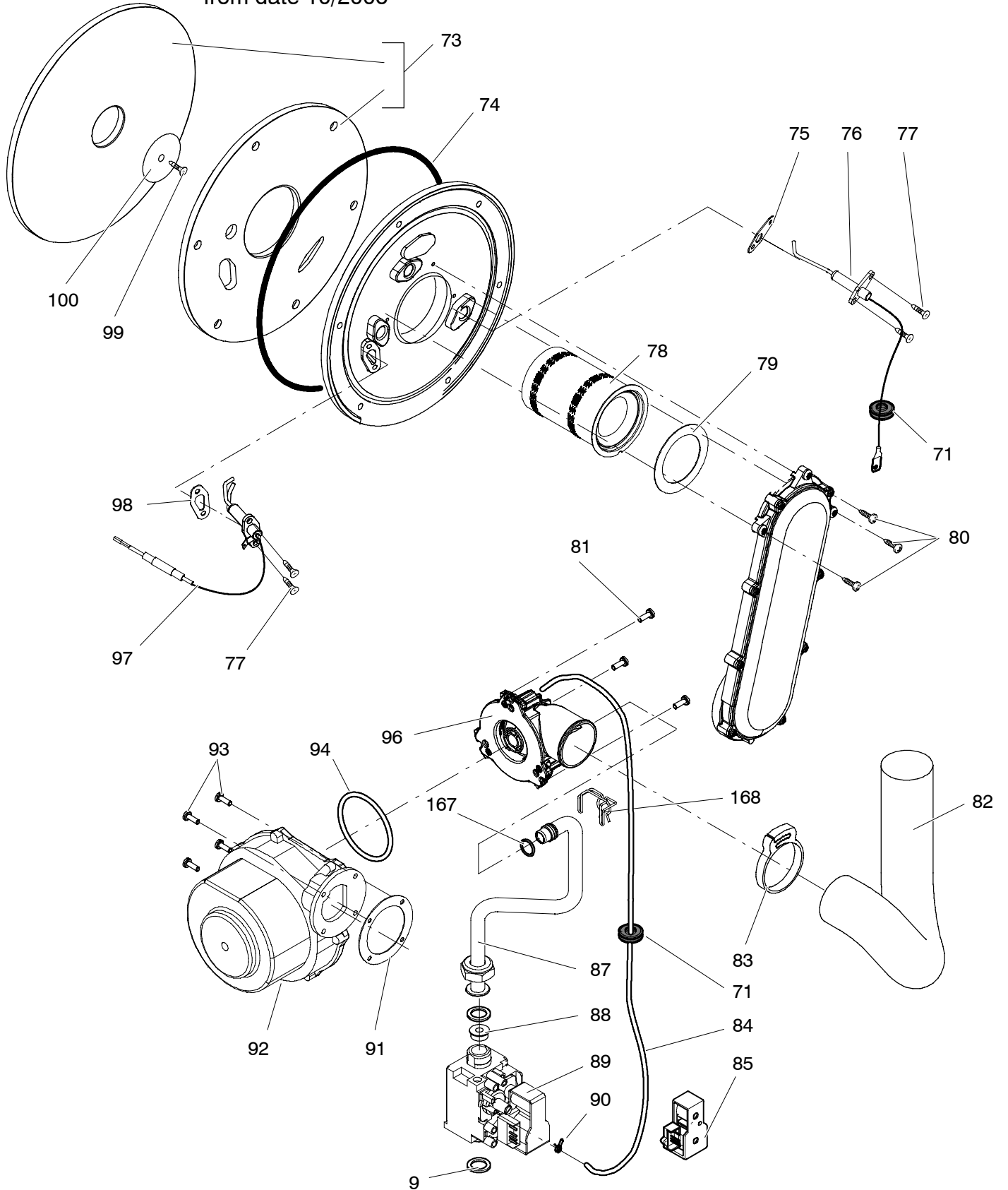
Gas assembly  
up to date 09/2006



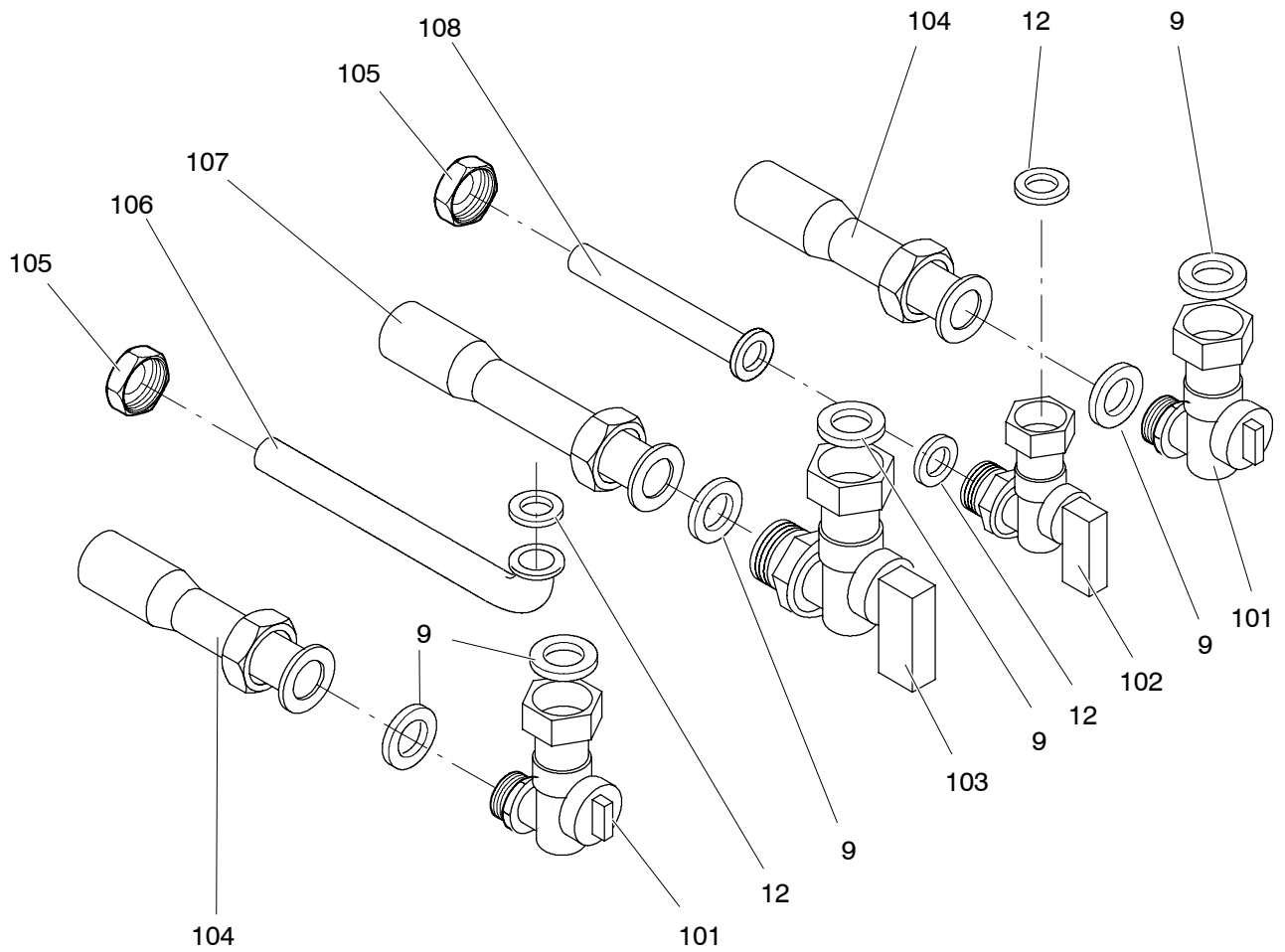
M110.24SM/C  
M110.32SM/C

47-970-29  
47-970-30

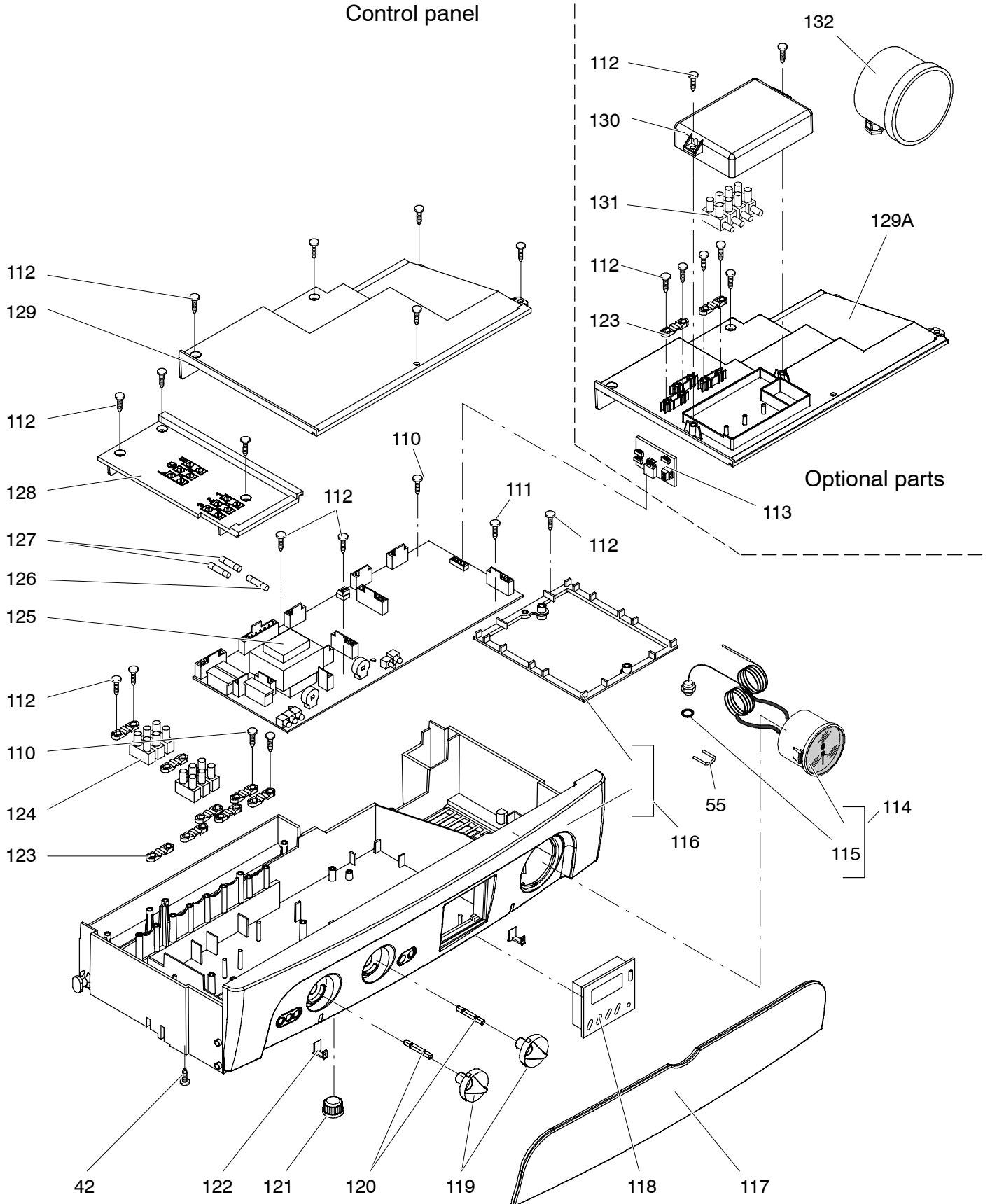
Gas assembly  
from date 10/2006



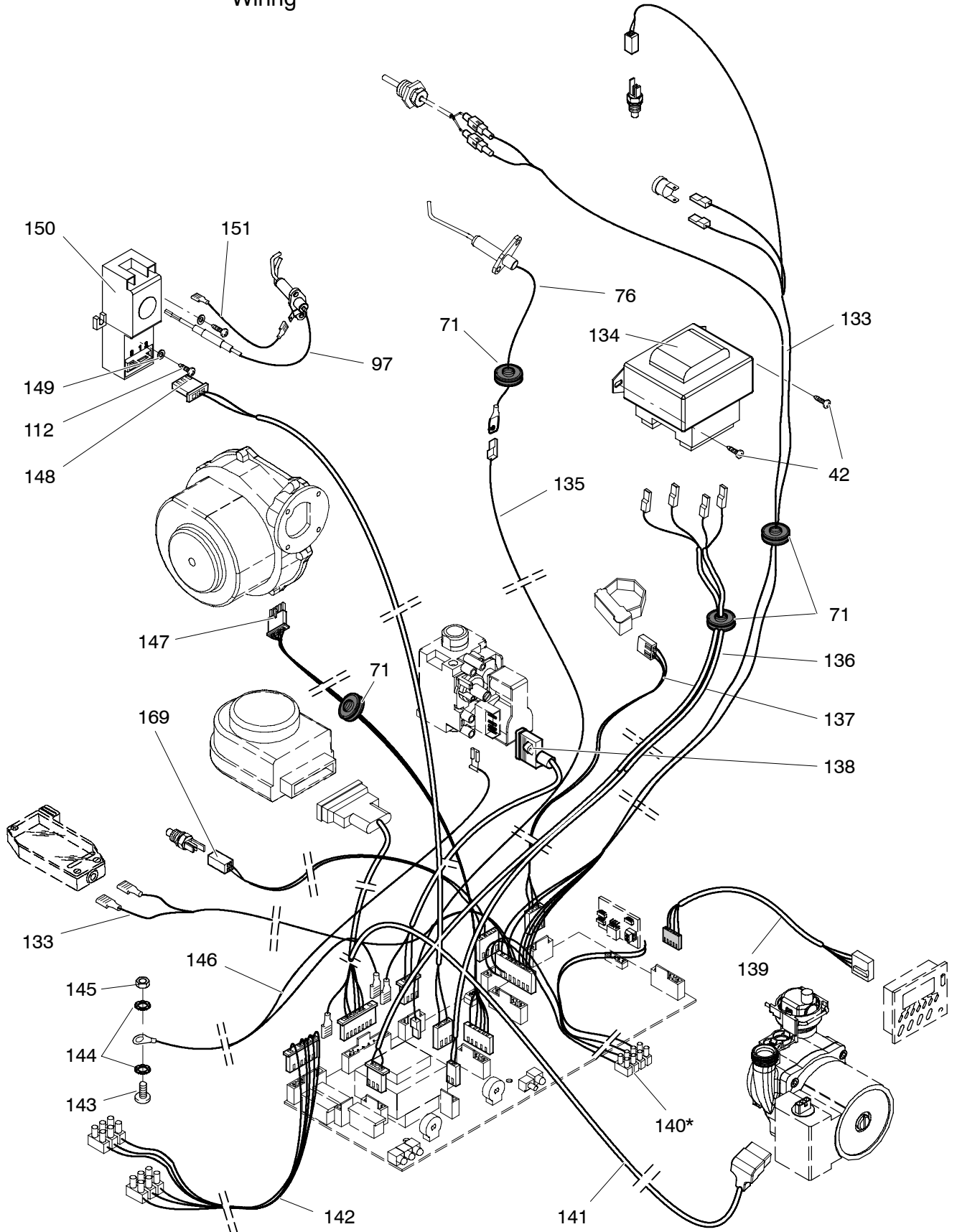
Valves and connection pipes



Control panel

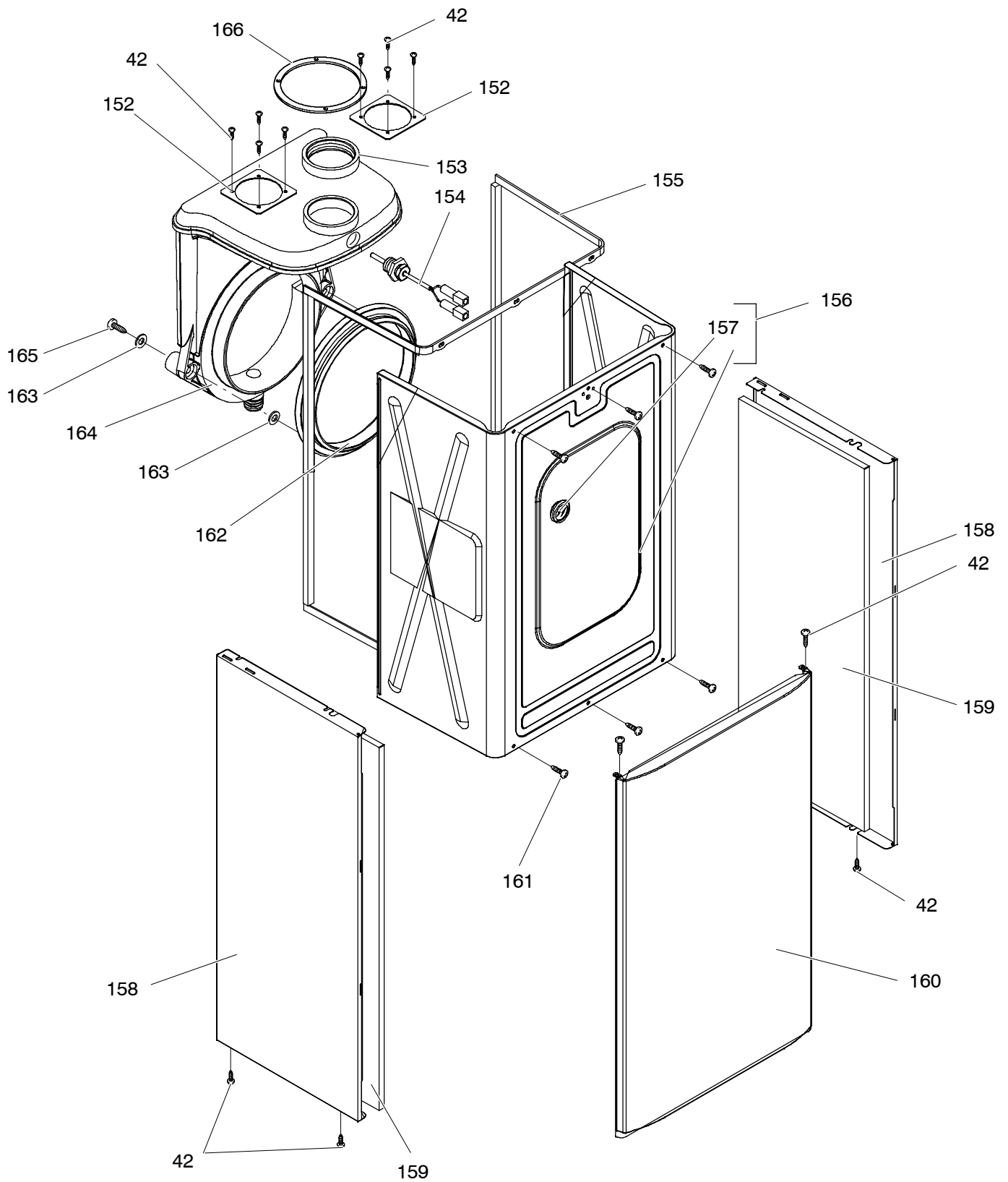


### Wiring



\* Optional part

Sealed chamber, exhaust gas manifold and case panels



# DRAFT BRITISH GAS PART LIST

Date \_\_\_\_\_  
 Sheet  1  of  8   
 Manufacturer  Biasi SpA – Italy   
 Appliance(s)  M110.24SM/C, M110.32SM/C   
 GC Appliance Number(s)  47–970–29, 47–970–30   
 Contract Name \_\_\_\_\_  
 Telephone Number \_\_\_\_\_

(a)	(b)	(c)	(d)	(e)	(f)	(g)	(h)	(i)	(j)	(k)
Key no.	GC Part Number	Description	No. Off	Makers part number which have a CG number	Maker's old part number which have since been changed	Maker's new part number which DO NOT have a GC number	M B F	Original Supplier	Original Supplier part number	Retail price excl. VAT
		Position of data badge: inner side of left case panel								
		Instructions booklets set	1			BI1913 505	M			
1	E83–013	Safety valve 3 bar	1	BI1131 100			B	Watts Intermes – Caldaro Italy	3 bar	
								Orkli (alternative)	3 bar	
2	E23–759	Safety valve connection	1	BI1001 127			M			
3	H05–158	Safety valve connection pipe	1	BI1131 106			M			
4	E00–679	O–ring gasket 1,78x15,6	1	BI1001 131			M			
5	E00–669	Drainage valve	1	BI1011 104			B	Watts Intermes – Caldaro Italy	RSR8 1/4"	
6	H20–945	O–ring gasket 17,04x4,00	1	BI1212 112			M			
7	H32–547	Screw M5x25 – Hexagon socket cap	2	BI1131 107			F			
8	H32–548	Return group kit	1	BI1271 502			M			
9	169–033	Flat gasket 3/4" up to date 09/2006	10	BI1001 108			M			
9	169–033	Flat gasket 3/4" from date 10/2006	9	BI1001 108			M			
10	E23–757	Toothed lock washer external 6,4 mm	2	BI1001 124			F			
11	E00–670	Screw M6x8 – BZP RPH	2	BI1001 123			F			
12	169–141	Gasket 1/2"	3	BI1001 106			M			
13	169–060	O–ring gasket 18,64x3,53	4	KI1043 144			M			
14	E01–205	Exchanger DHW – M110.24SM/C	1	BI1001 102			M			
14 A	H05–161	Exchanger DHW – M110.32SM/C	1	BI1161 100			M			
15	E00–668	O–ring gasket 1,78x12,42 by–pass pipe	2	BI1001 115			M			
16	E83–083	By–pass pipe	1	BI1271 100			M			
17	E00–672	By–pass pipe fixing fork	2	BI1001 111			M			
18	E00–676	O–ring gasket 1,78x14	1	BI1001 129			M			
19	E83–018	Flow limiter 10 Litres/min	1	BI1091 102			B	Acqua Flow		
19 A	E83–019	Flow limiter 12 Litres/min	1	BI1091 103			B	Acqua Flow		

# CONTINUATION SHEET

Sheet 2 of 8

Appliance number(s) 47-970-29, 47-970-30

(a)	(b)	(c)	(d)	(e)	(f)	(g)	(h)	(i)	(j)	(k)
Key no.	GC Part Number	Description	No. Off	Makers part number which have a CG number	Maker's old part number which have since been changed	Maker's new part number which DO NOT have a GC number	M B F	Original Supplier	Original Supplier part number	Retail price excl. VAT
20	H32-550	Magnetic flow switch and filter kit	1	BI1271 501			M			
21	H32-551	D.h.w. flow switch	1	BI1271 101			M			
22	E83-086	Diverter valve actuator	1	BI1101 102			B	Elbi International SpA Collegno italy	1650/6/0	
23	E83-090	Diverter valve actuator fixing spring	1	BI1101 101			M			
24	E83-091	Diverter valve kit	1	BI1141 501			M			
25	E00-680	O-ring gasket 2,62x23,47	4	BI1011 107			M			
26	E83-092	O-ring gasket 2,7x13,6	2	BI1011 117			M			
27	H38-857	Flow group kit	1	BI1251 502			M			
28	H23-733	O-ring gasket 9,25x1,78 (NTC)	2	KI1001 128			M			
29	164-026	Temperature probe (special)	2	BI1001 117			M			
30	E00-684	Microswitch kit	1	BI1011 505			M			
31	E00-683	Microswitch box fixing clip	1	BI1011 105			M			
32	E00-682	Screw 2,9x13 mm AB self tapping BZP - RCH	3	BI1011 108			F			
33	E00-681	Microswitch guide bush	1	BI1011 502			M			
34	E00-685	Screw M4x12 mm Stainless steel SCH	4	BI1011 109			F			
35	E00-686	Central heating pressure switch spring	1	BI1011 110			M			
36	E00-687	Central heating pressure switch disk	1	BI1011 111			M			
37	E00-688	Central heating pressure switch membrane	1	BI1011 103			M			
38	H20-966	By-pass kit	1	BI1141 505			M			
39	169-049	Manual bleed valve (incl. key no. 40)	1	KI1031 501			M			
40	169-050	O-ring 2,90x1,78	1	KI1043 145			M			
41	H38-858	Condensing heat exchanger fixing clamps	4	BI1282 108			M			
42	409-722	Tapping Screw ISO No8 B 4,2x9,5 Recessed Pan Head	20	BI1013 110			F			
		Hardened Steel BS4174 Bright Zinc plate BS1706 Clear								
		Passivated								

# CONTINUATION SHEET

Sheet 3 of 8

Appliance number(s) 47-970-29, 47-970-30

(a)	(b)	(c)	(d)	(e)	(f)	(g)	(h)	(i)	(j)	(k)
Key no.	GC Part Number	Description	No. Off	Makers part number which have a CG number	Maker's old part number which have since been changed	Maker's new part number which DO NOT have a GC number	M B F	Original Supplier	Original Supplier part number	Retail price excl. VAT
43	H20-970	O-ring gasket 2,62x17.86	2	BI1262 112			M			
44	E83-108	Condensing heat exchanger connection clip	3	BI1172 101			M			
45	H38-859	Condensing heat exchanger inlet pipe	1	BI1282 106			M			
46		Flanged nut M6 stainless steel	6			BI1282 109	F			
47	E83-101	Overheat thermostat	1	BI1172 105			B	Elth	261 105°C	
48		Screw 2,9x4,5 Recessed Pan Head Hardened Steel	2			BI1002 127	F			
		BS4174 Bright Zinc plate BS1706 Clear Passivated								
49	H38-860	Condensing heat exchanger outlet pipe	1	BI1282 105			M			
50	169-104	Grommet	4	BI1002 113			M			
51	H20-981	O-ring gasket 1,9X16	1	BI1262 114			M			
52	H20-987	Pump connection fork	1	BI1262 116			M			
53	H20-990	Fork	1	BI1262 120			M			
54	169-015	Fork	1	KI1042 101			M			
55	169-040	Fork	1	KI1042 115			M			
56	H20-992	Screw 5X16	2	BI1262 115			F			
57	H20-994	Pump (motor)	1	BI1262 119			B			
58	E83-114	Pump gasket	1	BI1172 113			M			
59	H20-993	Pump (complete)	1	BI1262 103			M	Wilo	NFSL12/6-1 HE CRF9-S 82W	
60	169-045	Probe holder	1	BI1105 108			M			
61	H20-989	Condensate trap	1	BI1262 118			M			
62	H20-972	Connection spring	4	BI1262 117			F			
63	H38-861	Condensate discharge pipe - lower	1	BI1282 107			M			
64	H20-996	O-ring gasket 2,62X9,92	1	BI1262 113			M			
65	H20-997	Expansion vessel connection pipe	1	BI1262 105			M			
66	H03-727	Flat gasket 3/8" O.D 15 mm, i.d. 8.5 mm	2	BI1202 105			M			

# CONTINUATION SHEET

Sheet 4 of 8

Appliance number(s) 47-970-29, 47-970-30

(a)	(b)	(c)	(d)	(e)	(f)	(g)	(h)	(i)	(j)	(k)
Key no.	GC Part Number	Description	No. Off	Makers part number which have a CG number	Maker's old part number which have since been changed	Maker's new part number which DO NOT have a GC number	M B F	Original Supplier	Original Supplier part number	Retail price excl. VAT
67	H38-862	Condensate discharge pipe - upper	1	BI1282 103			M			
68	E94-576	Expansion vessel	1	BI1182 105			B	Zilmet	13C0000700	
69	H38-864	Condensing heat exchanger M110.24SM/C	1	BI1282 101			M			
69 A	H38-866	Condensing heat exchanger M110.32SM/C	1	BI1282 102			M			
70	E01-187	Flue pressure switch tube	1	BI1016 107			M			
71	169-125	Grommet	7	BI1002 115			M			
72	H38-872	Manual bleed valve connection	1	BI1282 100			M			
73	H38-874	Combustion chamber insulating panels	1	BI1223 100			M			
74	H38-890	Combustion chamber gasket	1	BI1253 100			B			
75	H38-891	Detection electrode gasket	1	BI1223 103			M			
76	H38-893	Detection electrode	1	BI1223 104			M			
77	402-124	Machine Screw M4x8 mm Recessed pan head Mild steel	4	BI1013 114			F			
		BS4183 Bright zinc plate BS3382 Clear passiv.								
78	H38-894	Burner M110.24SM/C	1	BI1223 101			M			
78 A	H38-897	Burner M110.32SM/C	1	BI1223 102			M			
79	H38-900	Air-gas gasket	1	BI1253 102			M			
80		Screw 5X14 WN 1552 Torx T25	3			BI1253 103	F			
81	402-126	Screw M4x12 recessed pan head BZP clear passivated	5	KI1093 119			F			
		up to date 09/2006								
81	402-126	Screw M4x12 recessed pan head BZP clear passivated	3	KI1093 119			F			
		from date 10/2006								
82	H38-903	Air hose	1	BI1253 104			M			
83	H38-905	Air hose clamp	1	BI1253 115			B			
84	H38-909	Siliconic rubber pipe	1	BI1253 109			M			
85	H08-602	Gas valve on-off operator coils	1	BI1093 107			B	Sit	0.967.158	

# CONTINUATION SHEET

Sheet 5 of 8

Appliance number(s) 47-970-29, 47-970-30

(a)	(b)	(c)	(d)	(e)	(f)	(g)	(h)	(i)	(j)	(k)
Key no.	GC Part Number	Description	No. Off	Makers part number which have a CG number	Maker's old part number which have since been changed	Maker's new part number which DO NOT have a GC number	M B F	Original Supplier	Original Supplier part number	Retail price excl. VAT
86	H38-918	Gas connection up to date 09/2006	1	BI1253 106			M			
87	H38-922	Gas pipe up to date 09/2006	1	BI1253 107			M			
87		Gas pipe from date 10/2006	1			BI1273 103	M			
88	H38-924	Gas restrictor M110.24SM/C	1	BI1223 109			M			
88 A	H38-926	Gas restrictor M110.32SM/C	1	BI1253 108			M			
89	H38-932	Gas valve	1	BI1223 111			B	SIT	848 Sigma	
90	H38-937	Connection spring	1	BI1253 116			F			
91	H38-940	Fan gasket	1	BI1223 112			B			
92	H38-947	Fan	1	BI1223 113			B	EBM Papst	RG128 24V 54W	
93		Screw M5x10 Hexagon Socket Cap Bright Zinc Pl.	4			BI1253 110	F			
94	H38-956	O-ring gasket 3,53x61,91 NBR	1	BI1253 114			B			
95	H38-961	O-ring gasket 2,62x22,22 NBR up to date 09/2006	1	BI1253 105			M			
96	H38-962	Air-box assembly M110.24SM/C up to date 09/2006	1	BI1253 111			M			
96 A	H38-963	Air-box assembly M110.32SM/C up to date 09/2006	1	BI1253 112			M			
96		Air-box assembly M110.24SM/C from date 10/2006	1			BI1273 100	M			
96 A		Air-box assembly M110.32SM/C from date 10/2006	1			BI1273 101	M			
97	H38-964	Ignition electrodes	1	BI1223 116			M			
98	H38-967	Ignition electrodes gasket	1	BI1223 115			M			
99		Screw M4x8 Hexagon Socket Countersunk Stainless Steel	1			BI1253 113	F			
100	H38-971	Insulating panel holder	1	BI1253 101			M			
101	E83-136	Tap 3/4" - c.h.	2	BI1084 105			B			
102	E83-137	Tap 1/2" - d.h.w.	1	BI1084 101			B			
103	E83-138	Tap 3/4" - gas	1	BI1084 100			B			
104	H21-025	C.h. connection pipe	2	BI1124 100			M			
105	E01-226	Nut 1/2"	2	BI1004 101			M			

# CONTINUATION SHEET

Sheet 6 of 8

Appliance number(s) 47-970-29, 47-970-30

(a)	(b)	(c)	(d)	(e)	(f)	(g)	(h)	(i)	(j)	(k)
Key no.	GC Part Number	Description	No. Off	Makers part number which have a CG number	Maker's old part number which have since been changed	Maker's new part number which DO NOT have a GC number	M B F	Original Supplier	Original Supplier part number	Retail price excl. VAT
106	H21-027	Pipe 15 mm dia (bent) d.h.w.	1	BI1124 102			M			
107	E05-387	Pipe 22 mm dia gas	1	BI1014 112			M			
108	H21-030	Pipe 15 mm dia (straight) d.h.w.	1	BI1124 103			M			
110	409-727	Screw 3,5x16 mm self tap RPH	9	BI1165 101			F			
111	410-068	Screw self tapping 3,5x19 mm RPH BZP	1	KI1008 203			F			
112	409-736	Tapping screw 3,5x9,5 recessed pan head	17	BI1013 115			F			
113	H38-978	Remote control p.c.b.	1	BI1665 103			M			
114	E83-145	Temperature-pressure gauge	1	BI1475 108			M			
115	E83-144	O-ring gasket 1,78 x 6,75	1	BI1475 119			M			
116	H38-981	Control panel box	1	BI1805 100			M			
117	H32-562	Cover panel	1	BI1605 108			M			
118	E83-147	Time switch	1	BI1475 118			B	Flash	Monotron 200	
119	H27-577	Knob	2	BI1605 106			M			
120	E83-149	Shaft	2	BI1475 105			M			
121	E83-150	Control panel plug	1	BI1475 110			M			
122	H27-578	Hinge plugs (couple)	1	BI1605 107			M			
123	E83-152	Cable holder	8	KI1066 208			B	Fastpoint S.r.l.	1207.BB01 XS	
124	E83-153	Terminal block	2	BI1475 109			B	Elettrogibi	PA27	
								Odoardo Korner (alternative)	OK-433-FV	
125	H38-984	Electronic control - ignition p.c.b. M110.24SM/C	1	BI1805 103			M			
125 A	H38-987	Electronic control - ignition p.c.b. M110.32SM/C	1	BI1805 101			M			
126		Fuse 400 mA T	1			BI1665 104	B			
127		Fuse 3,15A F	2			BI1295 108	B			
128	E83-155	Service panel cover	1	BI1475 111			M			
129	E83-156	Control panel cover	1	BI1475 112			M			

# CONTINUATION SHEET

Sheet 7 of 8

Appliance number(s) 47-970-29, 47-970-30

(a)	(b)	(c)	(d)	(e)	(f)	(g)	(h)	(i)	(j)	(k)
Key no.	GC Part Number	Description	No. Off	Makers part number which have a CG number	Maker's old part number which have since been changed	Maker's new part number which DO NOT have a GC number	M B F	Original Supplier	Original Supplier part number	Retail price excl. VAT
129 A	H21-038	Control panel cover	1	BI1605 101			M			
130	H21-039	External controls cover	1	BI1605 102			M			
131	H32-597	Remote controls terminal connection block	1	BI1665 102			B	Odoardo Korner	OK-403-NY-SP-LP	
132	H39-016	External temperature probe	1	BI1665 107			M			
133	H39-019	Temperature probes / safety thermostat cable	1	BI1675 100			M			
134	H39-022	Transformer	1	BI1665 100			M			
135	H39-024	Detection electrode cable	1	BI1675 111			M			
136	H39-027	Transformer cable	1	BI1675 101			M			
137	H39-030	D.h.w. flow switch cable	1	BI1815 100			M			
138	H39-034	Gas valve cable	1	BI1675 103			M			
139	E83-163	Time switch cable	1	BI1485 111			M			
140	H39-035	Remote controls wiring	1	BI1675 104			M			
141	H39-037	Pump - diverter valve cable	1	BI1675 105			M			
142	H39-041	Power supply and external control cable	1	BI1675 106			M			
143	402-225	Machine Screw M5x10 Recessed Pan Head Mild steel	1	BI1035 109			F			
		BS4183 Bright zinc plate BS3382 Clear Passivated								
144	164-133	Toothed lock washer external 5,3x10 mm stainless	2	BI1035 110			F			
145	404-609	Full nut M5 Hexagon Steel grade 8 BS3692 Bright zinc plate BS3382 clear passivated	1	BI1035 111			F			
146	H39-042	Earth cable	1	BI1675 107			M			
147	H39-045	Fan cable	1	BI1675 109			M			
148	H39-048	Spark generator cable	1	BI1675 110			M			
149	405-122	Washer 4,3x9 mm zinc plated	2	KI1093 118			F			
150	H39-052	Spark Generator	1	BI1805 102			B			
151	H39-055	Ignition electrode earth cable	1	BI1223 114			M			

# CONTINUATION SHEET

Sheet 8 of 8

Appliance number(s) 47-970-29, 47-970-30

(a)	(b)	(c)	(d)	(e)	(f)	(g)	(h)	(i)	(j)	(k)
Key no.	GC Part Number	Description	No. Off	Makers part number which have a CG number	Maker's old part number which have since been changed	Maker's new part number which DO NOT have a GC number	M B F	Original Supplier	Original Supplier part number	Retail price excl. VAT
152	E01-184	Gasket - Air intake twin kit	2	BI1016 101			M			
153	H39-058	Flue outlet gasket (part withdrawn, see BI1406 112)	1	BI1416 104			M			
153	H21-045	Flue outlet gasket	1	BI1406 112			M			
154	H39-062	Flue temperature probe NTC	1	BI1416 105			M			
155	H21-060	Sealed chamber gaskets kit	1	BI1406 500			M			
156	H39-073	Sealed chamber incl. window	1	BI1416 106			M			
157	E69-243	Window (glass + rubber frame)	1	BI1206 118			M			
158	H21-052	Side case panel	2	BI1406 106			M			
159	H39-074	Case insulating panel	2	BI1426 109			M			
160	H39-075	Front case panel	1	BI1416 107			M			
161	409-747	Screw 4,8x13 mm AB self tapping RPH BZP	6	BI1336 114			F			
162	H39-076	Combustion chamber rear gasket	1	BI1416 108			M			
163		Washer 5,3x12,5 mm stainless steel	4			BI1426 107	F			
164	H39-077	Flue gas manifold	1	BI1416 109			M			
165	402-338	Screw M5x16 stainless steel	2			BI1426 108	F			
166	169-110	Flue pipe gasket	1	BI1016 104			M			
167		O-ring gasket 2x13 NBR from date 10/2006	1			BI1273 104	M			
168		Gas pipe fixing fork from date 10/2006	1			BI1273 102	M			
169		D.h.w. temperature probe cable	1			BI1675 108	M			