



Spare Parts List

M96.24SM/C

M96.28SM/C

M96.28SR/C

Issue 08/2004

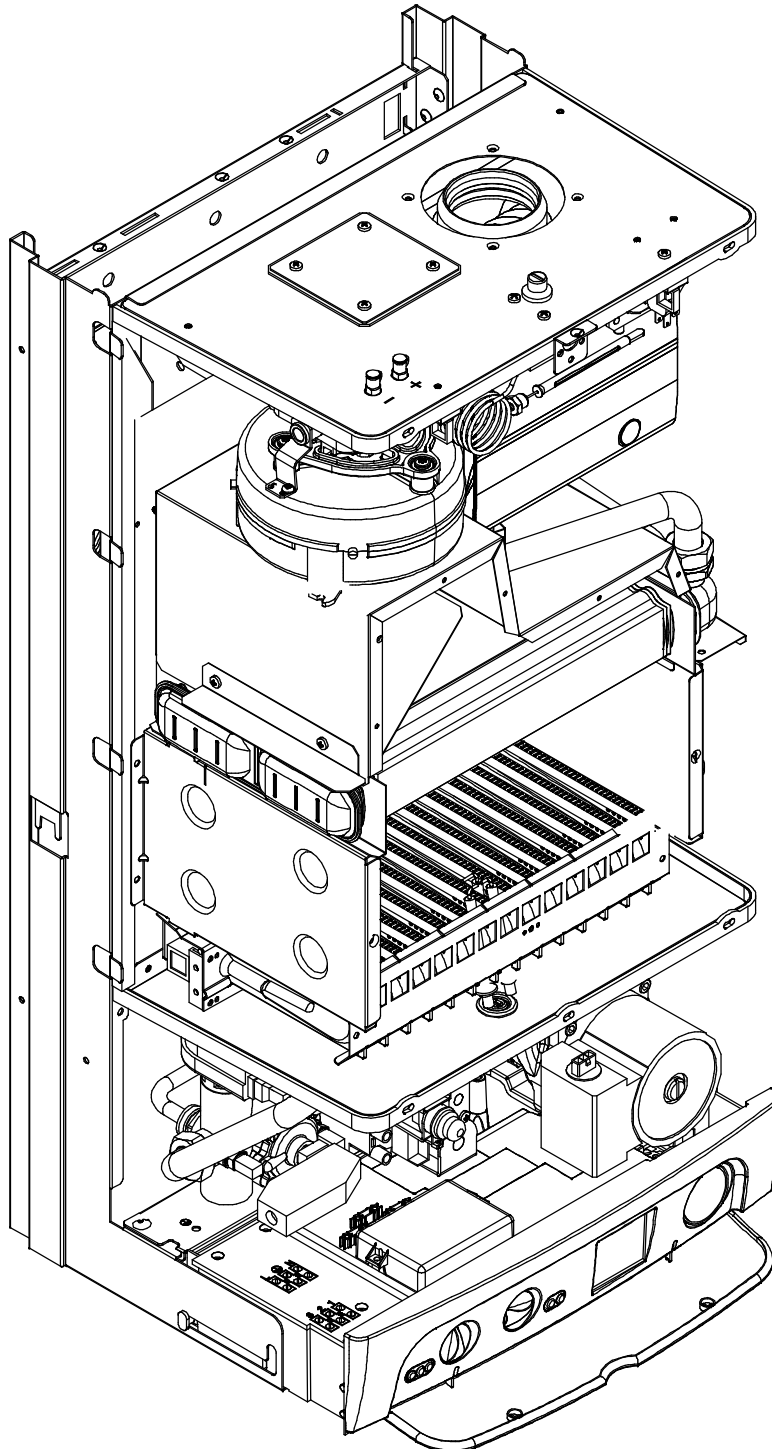
Table description	Issue	n. of pages
Overall view	08/2004	1
C.h. return group and d.h.w. heat exchanger	08/2004	1
C.h. flow group and three way diverter valve	08/2004	1
C.h. flow and return groups	08/2004	1
Pump and main circuit assembly M96.24SM/C M96.28SM/C	08/2004	1
Pump and main circuit assembly M96.28SR/C	08/2004	1
Gas assembly	08/2004	1
Valves and connection pipes	08/2004	1
Control panel and ignition device	08/2004	1
Wiring	08/2004	1
Fan, combustion chamber and case panels	08/2004	1
List of parts M96.24SM/C M96.28SM/C	08/2004	8
List of parts M96.28SR/C	08/2004	7

M96.24SM/C
M96.28SM/C
M96.28SR/C

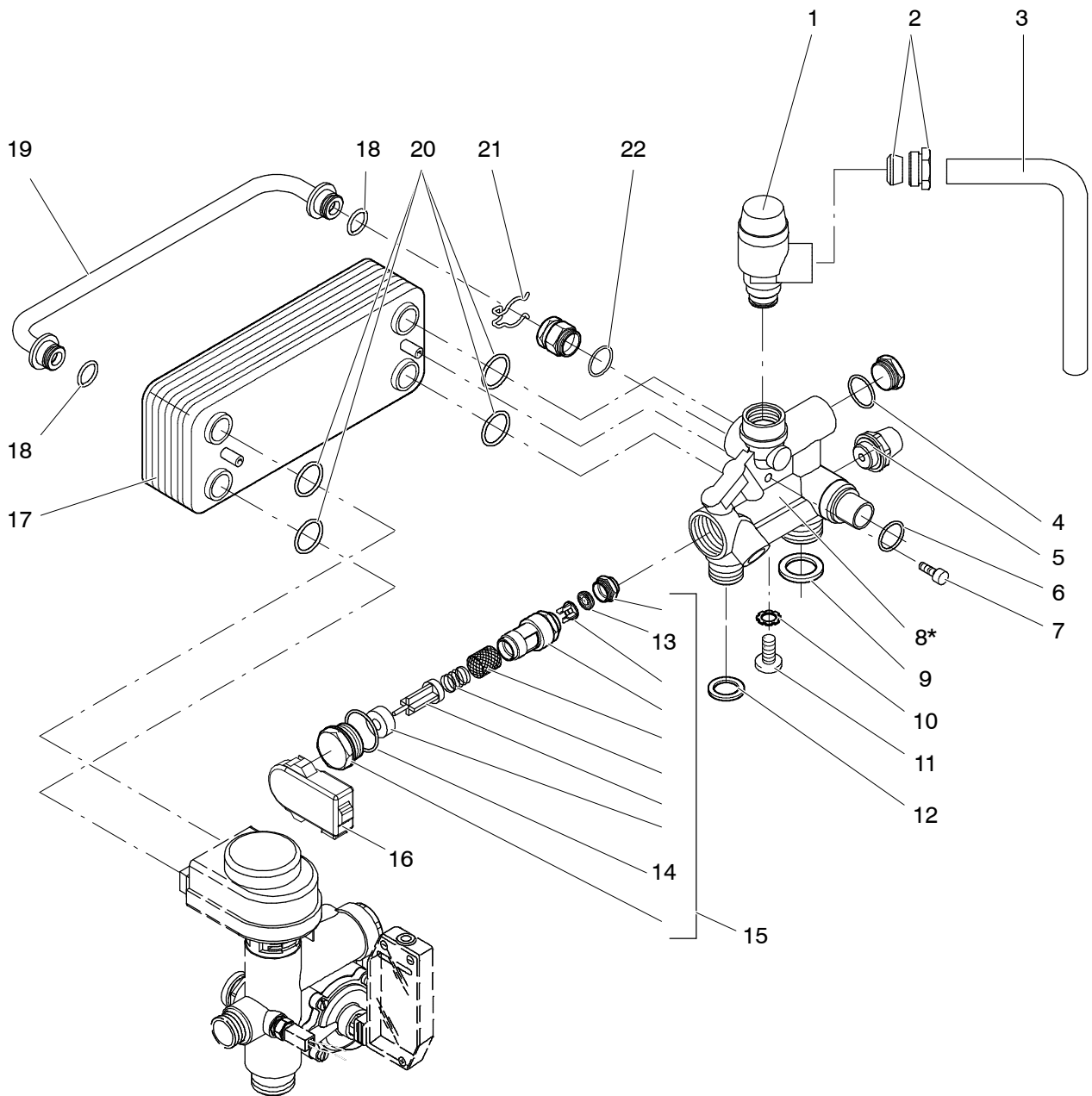
47-970-23
47-970-24
41-970-12

Overall view

DATA BADGE: inner side of left case panel

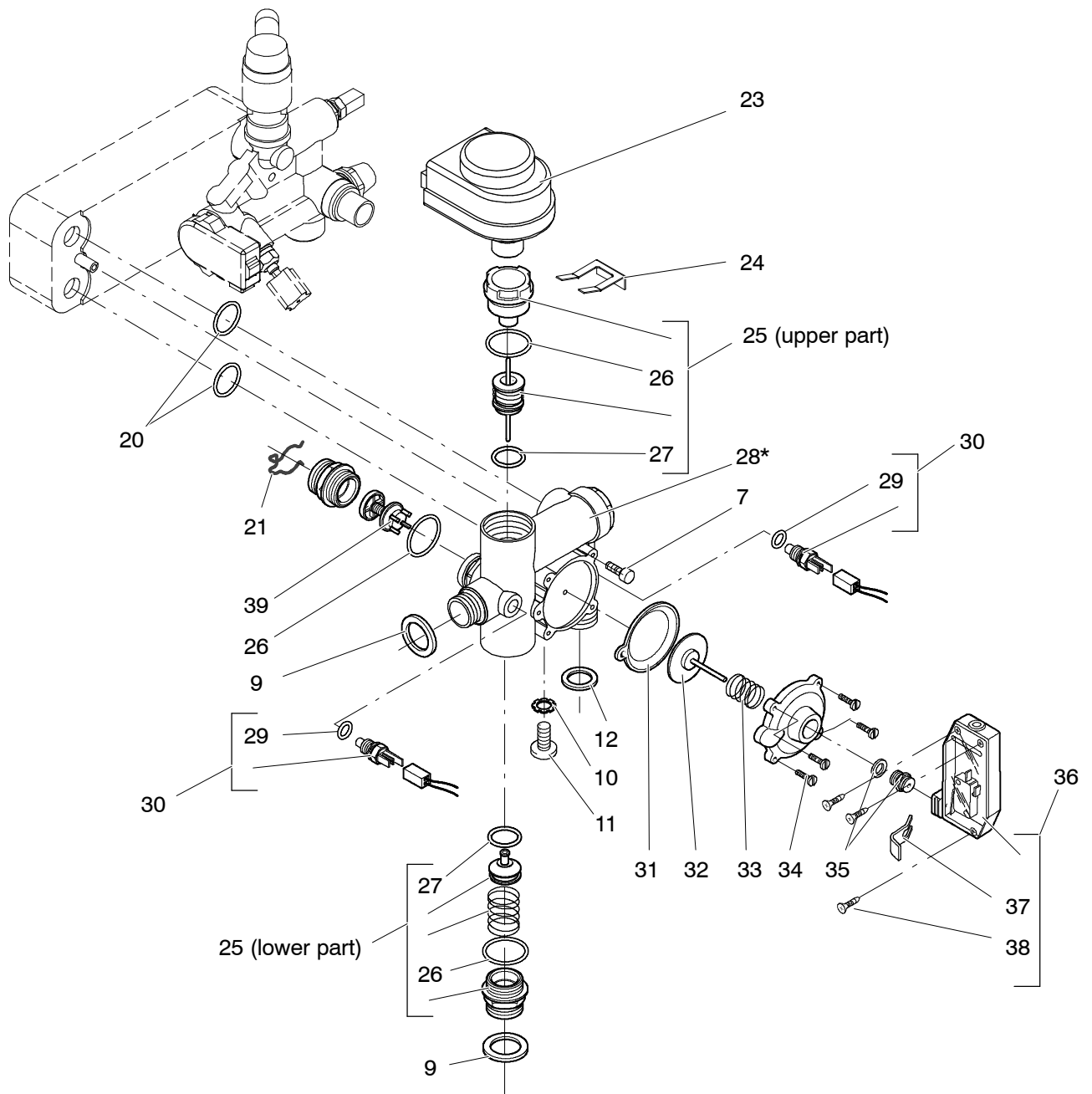


C.h. return group and d.h.w. heat exchanger



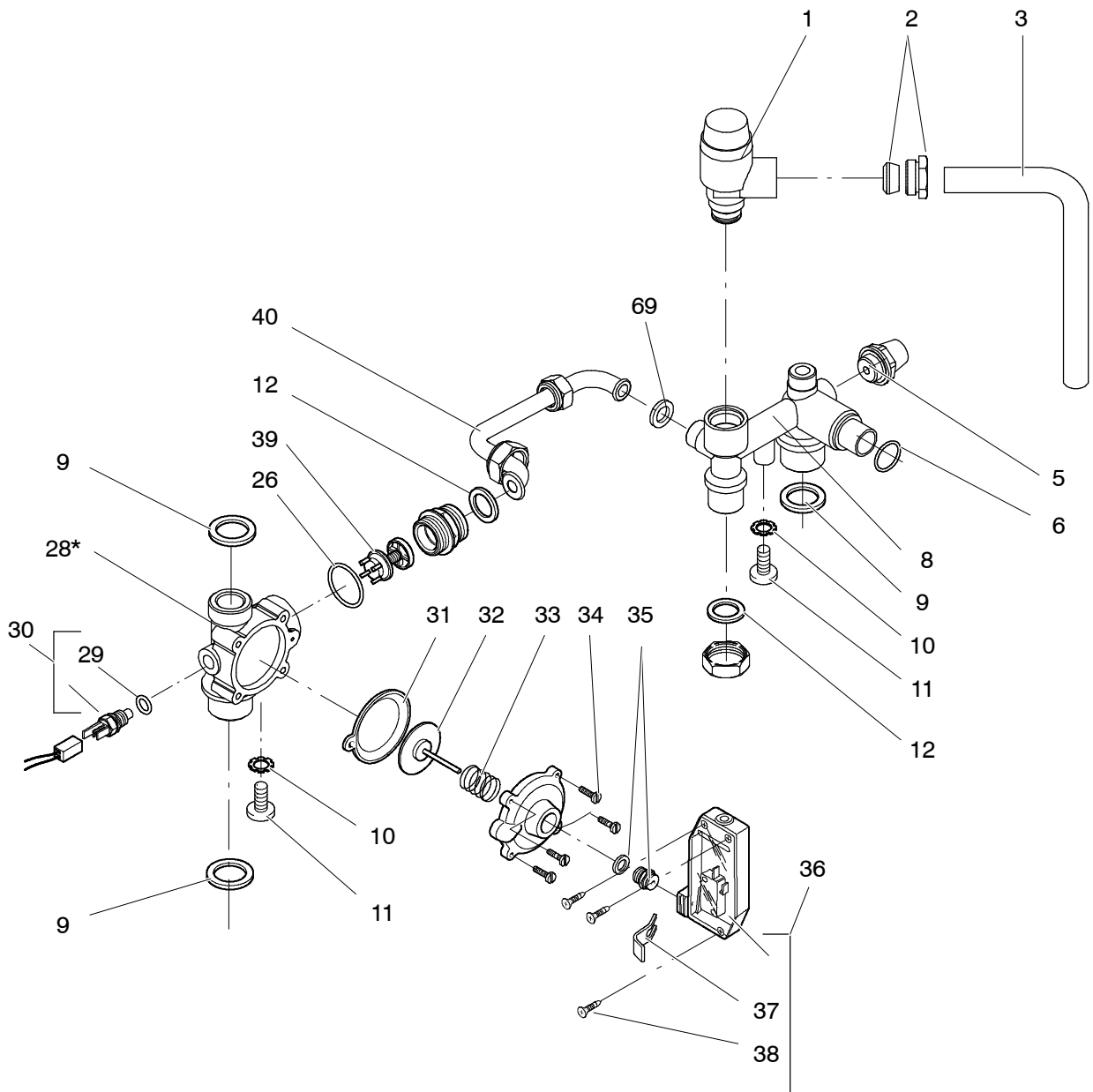
* Includes items 4, 15, 22

C.h. flow group and three way diverter valve



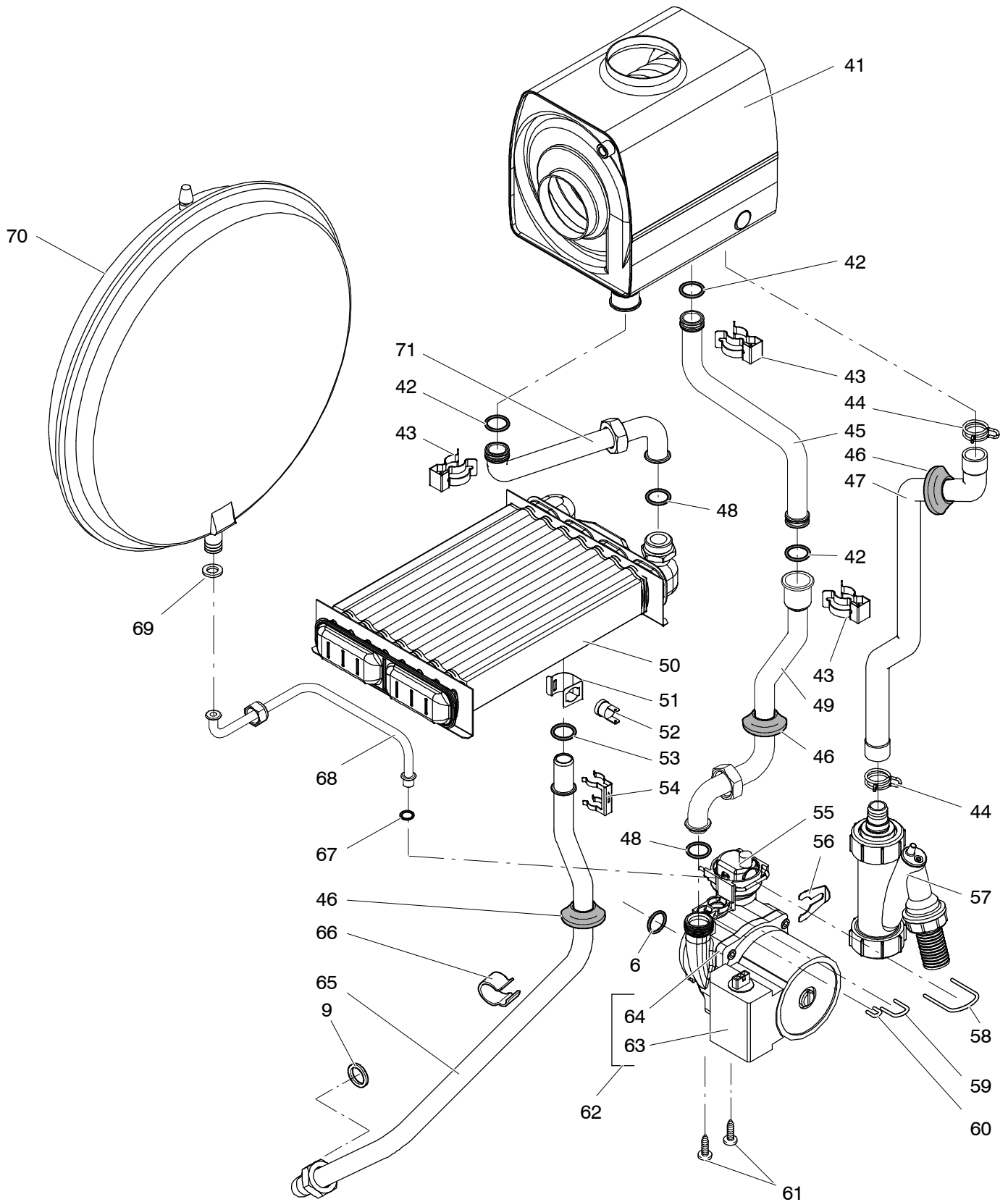
* Includes items 25, 31, 32, 33, 34, 35, 26, 39

C.h. flow and return groups

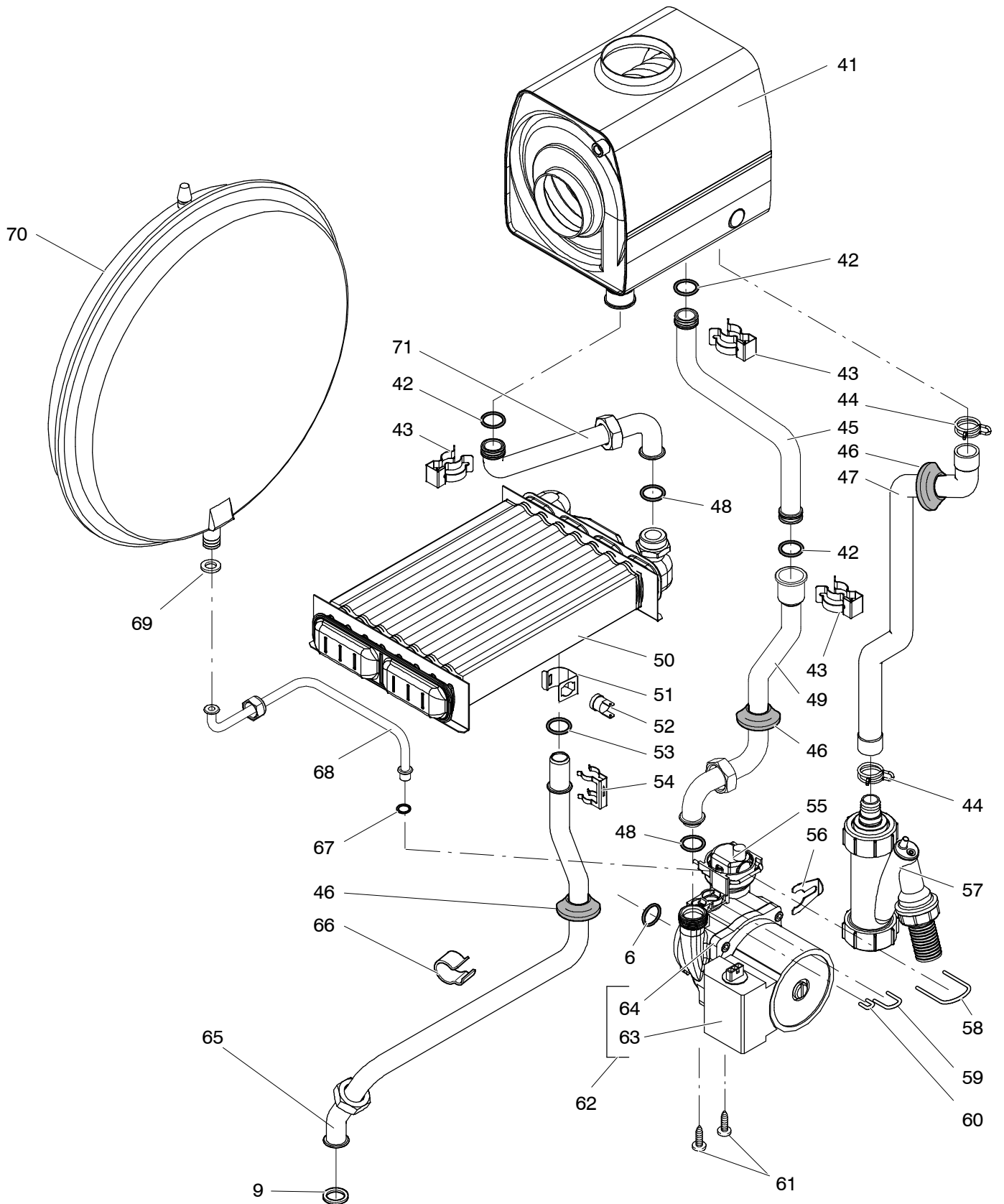


* Includes items 26, 31, 32, 33, 34, 35, 39

Pump and main circuit assembly



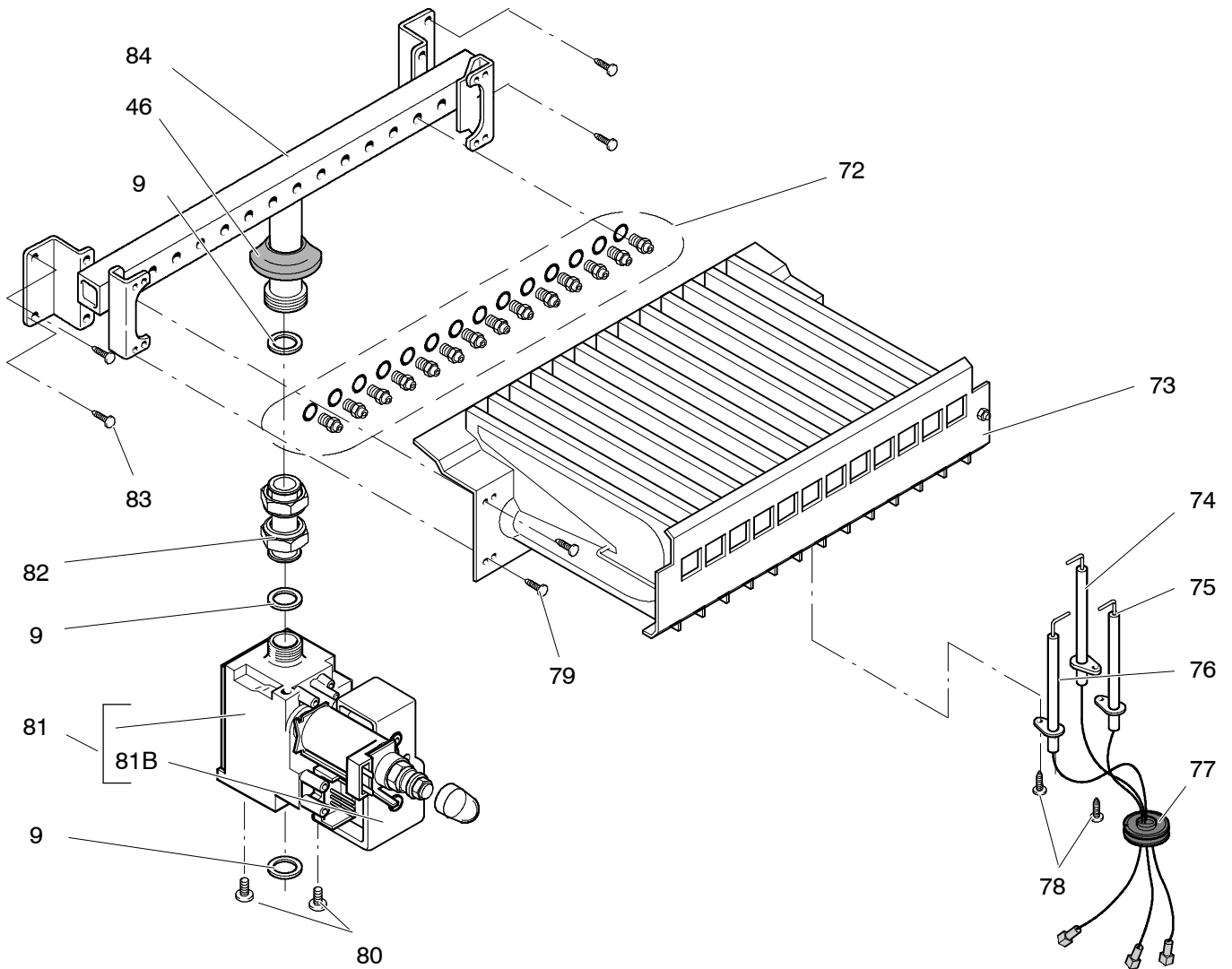
Pump and main circuit assembly



M96.24SM/C
M96.28SM/C
M96.28SR/C

47-970-23
47-970-24
41-970-12

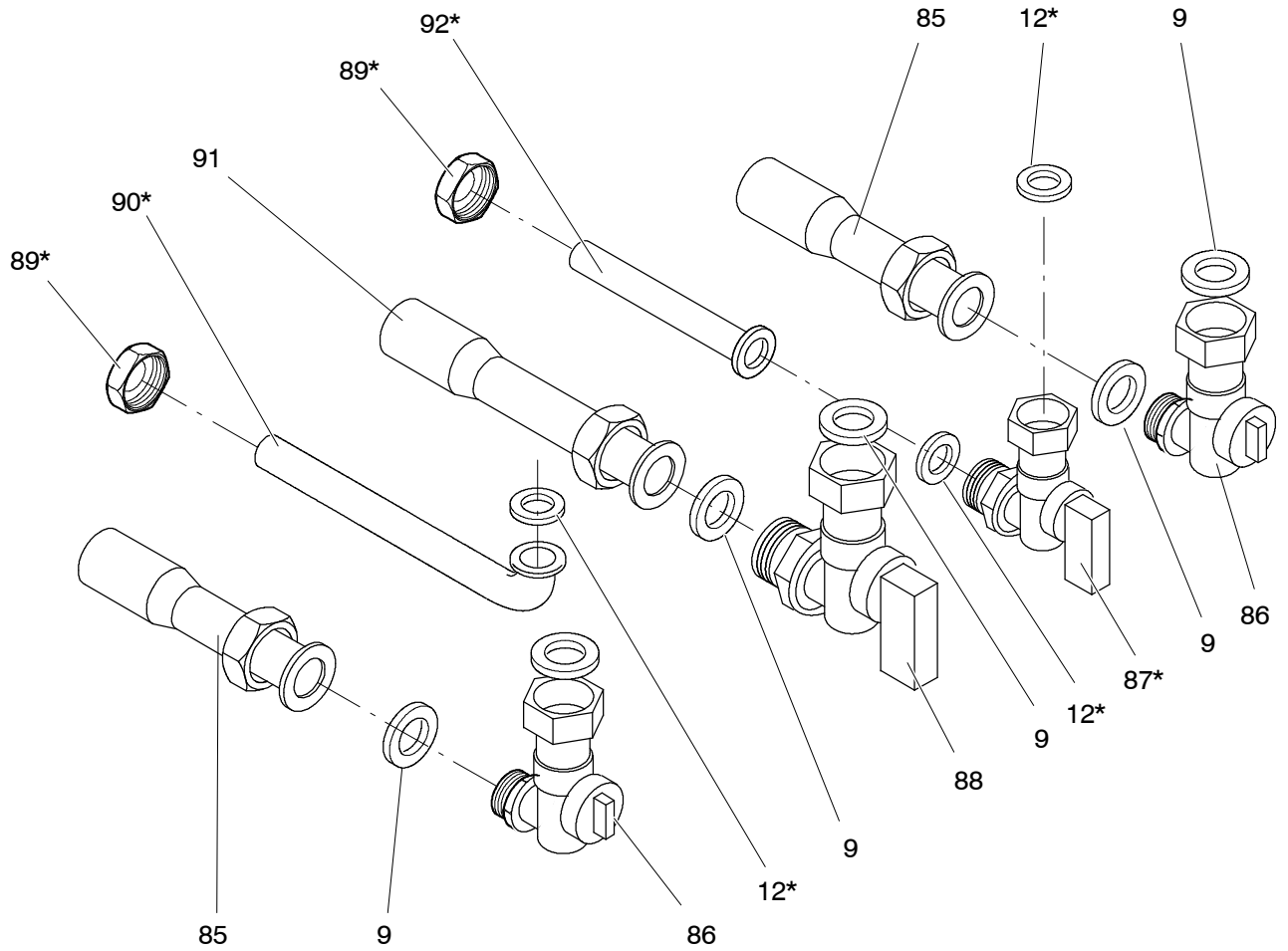
Gas assembly



M96.24SM/C
M96.28SM/C
M96.28SR/C

47-970-23
47-970-24
41-970-12

Valves and connection pipes

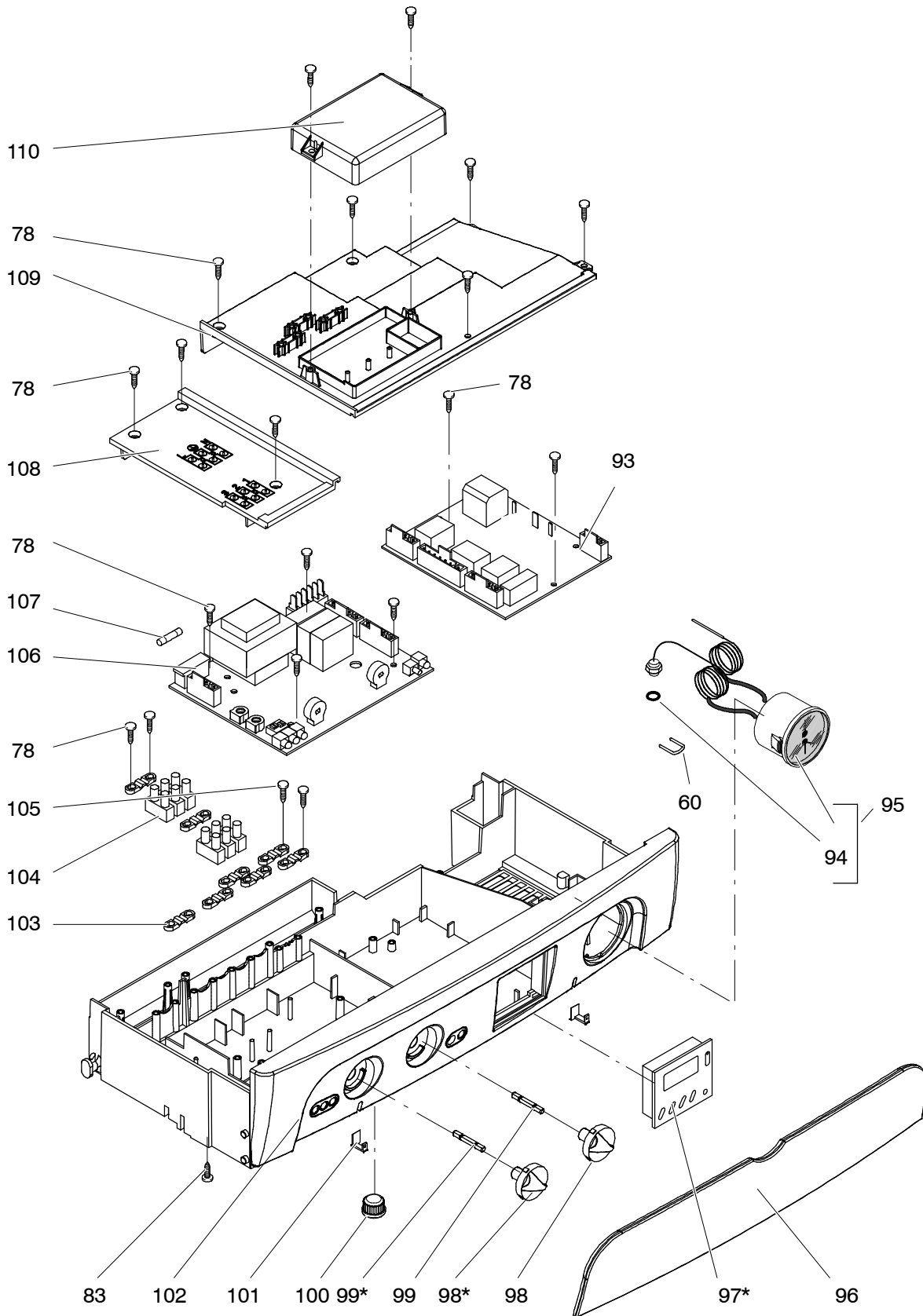


* Not for model M96.28SR/C

M96.24SM/C
M96.28SM/C
M96.28SR/C

47-970-23
47-970-24
41-970-12

Control panel and ignition device

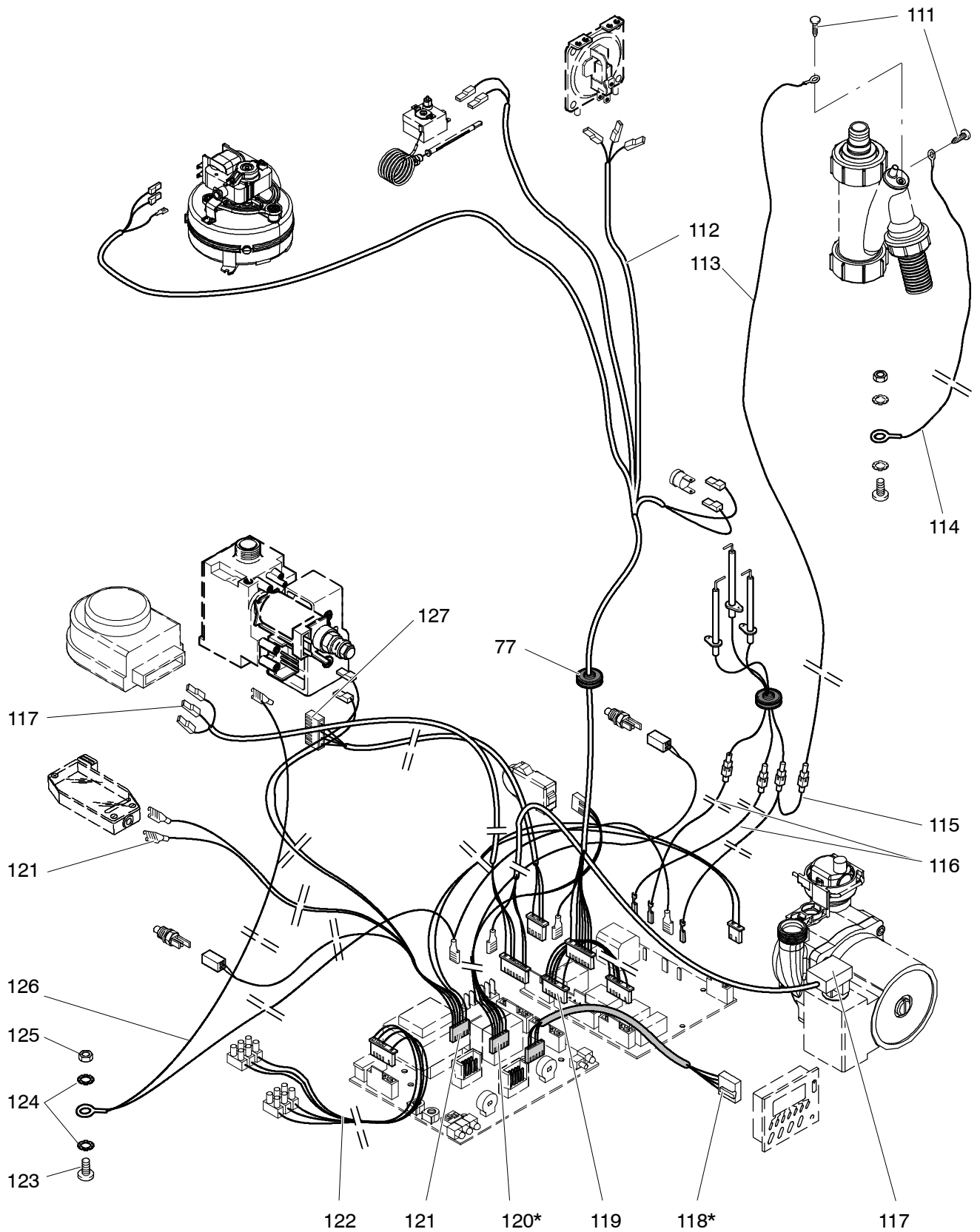


* Not for model M96.28SR/C

M96.24SM/C
M96.28SM/C
M96.28SR/C

47-970-23
47-970-24
41-970-12

Wiring

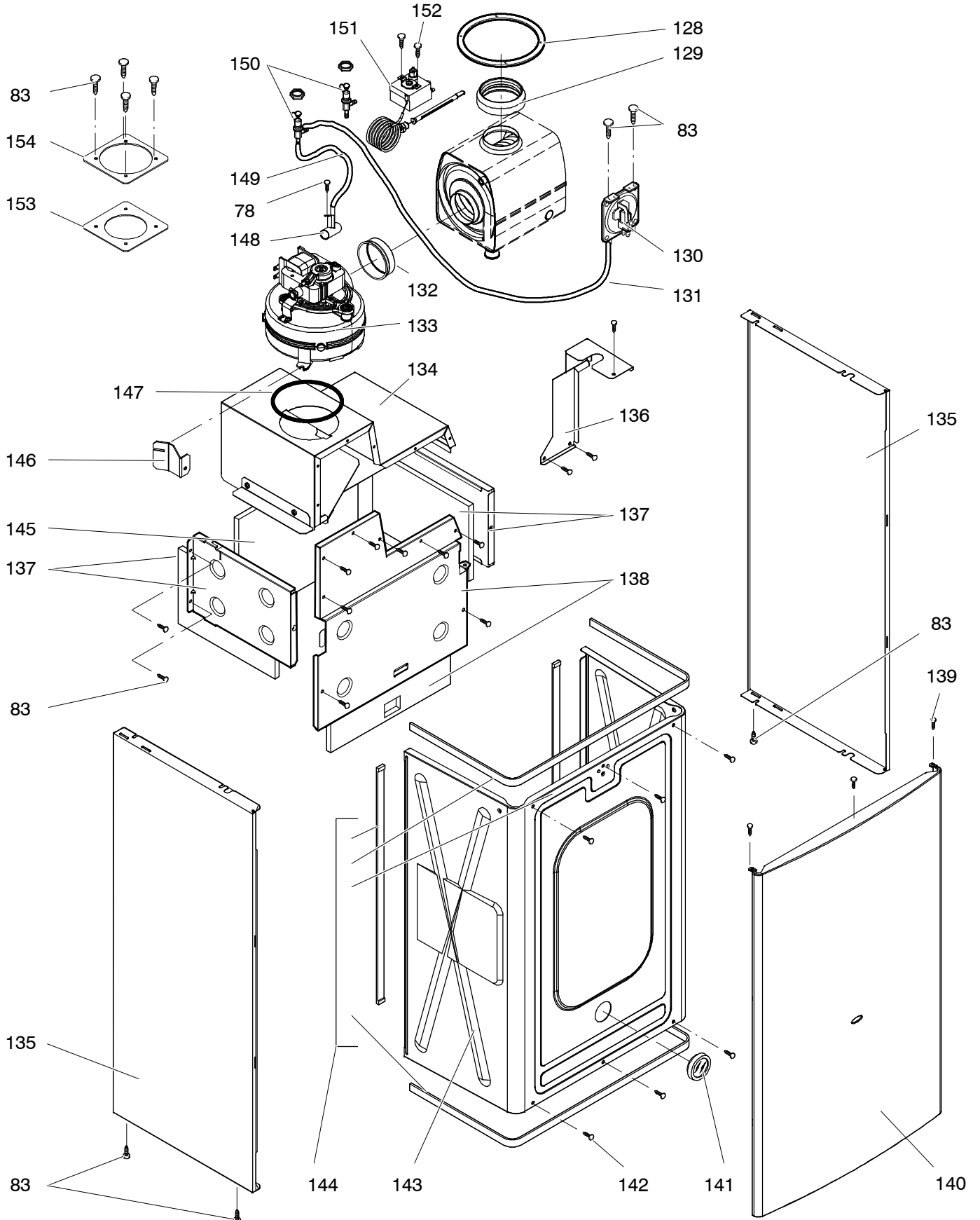


* Not for model M96.28SR/C

M96.24SM/C
M96.28SM/C
M96.28SR/C

47-970-23
47-970-24
41-970-12

Fan, combustion chamber and case panels



DRAFT BRITISH GAS PART LIST

Date _____
 Sheet 1 of 8
 Manufacturer Biasi SpA – Italy
 Appliance(s) M96.24SM/C, M96.28SM/C
 GC Appliance Number(s) 47–970–23, 47–970–24, 41–970–12
 Contract Name _____
 Telephone Number _____

(a)	(b)	(c)	(d)	(e)	(f)	(g)	(h)	(i)	(j)	(k)
Key no.	GC Part Number	Description	No. Off	Makers part number which have a CG number	Maker's old part number which have since been changed	Maker's new part number which DO NOT have a GC number	M B F	Original Supplier	Original Supplier part number	Retail price excl. VAT
		Position of data badge: inner side of left case panel								
		Instructions booklets set	1			BI1913 501	M			
1	E83–013	Safety valve 3 bar	1	BI1131 100			B	Watts Intermes – Caldaro Italy	3 bar	
								Orkli (alternative)	3 bar	
2	E23–759	Safety valve connection	1	BI1001 127			M			
3	H05–158	Safety valve connection pipe	1	BI1131 106			M			
4	E00–679	O–ring gasket 1,78x15,6	1	BI1001 131			M			
5	E00–669	Drainage valve	1	BI1011 104			B	Watts Intermes – Caldaro Italy	RSR8 1/4"	
6	H20–945	O–ring gasket 17,04x4,00	5	BI1212 112			M			
7	E00–671	Screw M5x16 – Hexagon socket cap	2	BI1001 125			F			
8	H20–948	Return group kit M96.24SM/C, M96.28SM/C	1	BI1131 503			M			
9	169–033	Flat gasket 3/4"	9	BI1001 108			M			
10	E23–757	Toothed lock washer external 6,4 mm	2	BI1001 124			F			
11	E00–670	Screw M6x8 – BZP RPH	2	BI1001 123			F			
12	169–141	Gasket 1/2"	3	BI1001 106			M			
13	E83–018	Flow limiter 10 Litres/min	1	BI1091 102			B	Acqua Flow		
13 A	E83–019	Flow limiter 12 Litres/min	1	BI1091 103			B	Acqua Flow		
14	E00–678	O–ring gasket 2,62x20,63	1	BI1001 130			M			
15	E83–081	Magnetic flow switch and filter kit	1	BI1091 502			M			
16	E83–082	D.h.w. flow switch	1	BI1091 104			M			
17	E01–204	Exchanger DHW – M96.24SM/C	1	BI1001 101			M			
17 A	E01–205	Exchanger DHW – M96.28SM/C	1	BI1001 102			M			
18	E00–668	O–ring gasket 1,78x12,42 by–pass pipe	2	BI1001 115			M			
19	E83–083	By–pass pipe	1	BI1131 101			M			
20	169–060	O–ring gasket 18,64x3,53	4	KI1043 144			M			

CONTINUATION SHEET

Sheet 2 of 8

Appliance number(s) 47-970-23, 47-970-24,

(a)	(b)	(c)	(d)	(e)	(f)	(g)	(h)	(i)	(j)	(k)
Key no.	GC Part Number	Description	No. Off	Makers part number which have a CG number	Maker's old part number which have since been changed	Maker's new part number which DO NOT have a GC number	M B F	Original Supplier	Original Supplier part number	Retail price excl. VAT
21	E00-672	By-pass pipe fixing fork	2	BI1001 111			M			
22	E00-676	O-ring gasket 1,78x14	1	BI1001 129			M			
23	E83-086	Diverter valve actuator	1	BI1101 102			B	Elbi International SpA Collegno italy	1650/6/0	
24	E83-090	Diverter valve actuator fixing spring	1	BI1101 101			M			
25	E83-091	Diverter valve kit	1	BI1141 501			M			
26	E00-680	O-ring gasket 2,62x23,47	3	BI1011 107			M			
27	E83-092	O-ring gasket 2,7x13,6	2	BI1011 117			M			
28	H20-960	Flow group kit M96.24SM/C, M96.28SM/C	1	BI1141 504			M			
29	164-025	O-ring gasket 9,25x1,78 (NTC)	2	KI1001 128			M			
30	164-026	Temperature probe (special)	2	BI1001 117			M			
31	E00-688	Central heating pressure switch membrane	1	BI1011 103			M			
32	E00-687	Central heating pressure switch disk	1	BI1011 111			M			
33	E00-686	Central heating pressure switch spring	1	BI1011 110			M			
34	E00-685	Screw M4x12 mm Stainless steel SCH	4	BI1011 109			F			
35	E00-681	Microswitch guide bush	1	BI1011 502			M			
36	E00-684	Microswitch kit	1	BI1011 505			M			
37	E00-683	Microswitch box fixing clip	1	BI1011 105			M			
38	E00-682	Screw 2,9x13 mm AB self tapping BZP - RCH	3	BI1011 108			F			
39	H20-966	By-pass kit	1	BI1141 505			M			
41	H20-969	Condensing heat exchanger	1	BI1262 111			M			
42	H20-970	O-ring gasket 2,62x17,86	3	BI1262 112			M			
43	E83-108	Condensing heat exchanger connection clip	3	BI1172 101			M			
44	H20-972	Connection spring	2	BI1262 117			F			
45	H20-977	Condensing heat exchanger inlet pipe - upper	1	BI1262 109						
46	169-104	Grommet	4	BI1002 113			M			

CONTINUATION SHEET

Sheet 3 of 8

Appliance number(s) 47-970-23, 47-970-24,

(a)	(b)	(c)	(d)	(e)	(f)	(g)	(h)	(i)	(j)	(k)
Key no.	GC Part Number	Description	No. Off	Makers part number which have a CG number	Maker's old part number which have since been changed	Maker's new part number which DO NOT have a GC number	M B F	Original Supplier	Original Supplier part number	Retail price excl. VAT
47	H20-980	Condensate discharge pipe	1	BI1262 110			M			
48	H20-981	O-ring gasket 1,9X16	2	BI1262 114			M			
49	H20-982	Condensing heat exchanger inlet pipe - lower	1	BI1262 108			M			
50	H20-984	Main exchanger M96.24SM/C,	1	BI1262 101			M			
50 A	H20-985	Main exchanger M96.28SM/C, M96.28SR/C	1	BI1262 102			M			
51	E94-723	Overheat thermostat fixing clip	1	BI1182 100			M			
52	E83-101	Overheat thermostat	1	BI1172 105			B	Elth	261 105° C	
53	169-025	O-ring gasket 17,04x3,53	1	KI1043 114			M			
54	E94-737	Main exchanger connection clip	1	BI1182 106			M			
55	H20-986	Automatic air purger valve	1	BI1212 107			M			
56	H20-987	Pump connection fork	1	BI1262 116			M			
57	H20-989	Condensate trap	1	BI1262 118			M			
58	H20-990	Fork	1	BI1262 120			M			
59	169-015	Fork	1	KI1042 101			M			
60	169-040	Fork	1	KI1042 115			M			
61	H20-992	Screw 5X16	2	BI1262 115			F			
62	H20-993	Pump (complete)	1	BI1262 103			M	Wilo	NFSL12/6-1 HE CRF9-S 82W	
63	H20-994	Pump (motor)	1	BI1262 119			B			
64	E83-114	Pump gasket	1	BI1172 113			M			
65	H20-995	Main exchanger outlet pipe M96.24SM/C, M96.28SM/C	1	BI1262 106			M			
66	169-045	Probe holder	1	BI1105 108			M			
67	H20-996	O-ring gasket 2,62X9,92	1	BI1262 113			M			
68	H20-997	Expansion vessel connection pipe	1	BI1262 105			M			
69	H03-727	Flat gasket 3/8" O.D 15 mm, i.d. 8.5 mm	2	BI1202 105			M			

CONTINUATION SHEET

Sheet 4 of 8

Appliance number(s) 47-970-23, 47-970-24,

(a)	(b)	(c)	(d)	(e)	(f)	(g)	(h)	(i)	(j)	(k)
Key no.	GC Part Number	Description	No. Off	Makers part number which have a CG number	Maker's old part number which have since been changed	Maker's new part number which DO NOT have a GC number	M B F	Original Supplier	Original Supplier part number	Retail price excl. VAT
70	E83-121	Expansion vessel	1	BI1172 103			B	CIMM Srl - Castello di Godego Italy	CP387 6L	
								Zilmet - Italy (alternative)	13C0000600	
71	H27-566	Condensing heat exchanger outlet pipe	1	BI1262 107			M			
72	169-069	Injectors with gaskets 130 - NG	14	KI1064 505			B	Polidoro		
72 A	E01-156	Injectors with gaskets 75 - LPG	14	BI1003 509			B	Polidoro		
73	173-148	Burner M96.24SM/C	1	KI1004 102			B	Polidoro		
73 A	173-149	Burner M96.28SM/C, M96.28SR/C	1	KI1004 147			B	Polidoro		
74	E83-122	Detection electrode	1	BI1123 102			M			
75	E83-126	Ignition electrode - right	1	BI1123 103			M			
76	E83-127	Ignition electrode - left	1	BI1123 101			M			
77	169-125	Grommet	1	BI1002 115			M			
78	409-736	Tapping screw 3,5x9,5 recessed pan head	24	BI1013 115			F			
79	409-531	Taptite screw M4x8 Recessed pan head Hardened steel	4	BI1013 111			F			
		Bright Zinc Plated BS3382 Clear passivated and lanolin								
		Dipped								
80	402-124	Machine Screw M4x8 mm Recessed pan head Mild steel	2	BI1013 114			F			
		BS4183 Bright zinc plate BS3382 Clear passiv.								
81 A	H03-746	Gas valve	1	BI1193105			B	Sit	845 Sigma	
81 B	H21-018	Gas valve on-off operator coils		BI1093 107			B	Sit	0.967.158	
82	H21-019	Gas pipe to the manifold	1	BI1213 100			M			
83	409-722	Tapping Screw ISO No8 B 4,2x9,5 Recessed Pan Head	34	BI1013 110			F			
		Hardened Steel BS4174 Bright Zinc plate BS1706 Clear								
		Passivated								
84	E83-131	Gas manifold with injectors NG M96.24SM/C	1	BI1183 103			B	Polidoro		
84 A	H21-021	Gas manifold with injectors LPG M96.24SM/C	1	BI1213 101			B	Polidoro		

CONTINUATION SHEET

Sheet 5 of 8

Appliance number(s) 47-970-23, 47-970-24,

(a)	(b)	(c)	(d)	(e)	(f)	(g)	(h)	(i)	(j)	(k)
Key no.	GC Part Number	Description	No. Off	Makers part number which have a CG number	Maker's old part number which have since been changed	Maker's new part number which DO NOT have a GC number	M B F	Original Supplier	Original Supplier part number	Retail price excl. VAT
84	B E83-133	Gas manifold with injectors NG M96.28SM/C, M96.28SR/C	1	BI1183 105			B	Polidoro		
84	C H21-023	Gas manifold with injectors LPG M96.28SM/C, M96.28SR/C	1	BI1213 102			B	Polidoro		
85	H21-025	C.h. connection pipe	2	BI1124 100			M			
86	E83-136	Tap 3/4" - c.h.	2	BI1084 105			B			
87	E83-137	Tap 1/2" - d.h.w.	1	BI1084 101			B			
88	E83-138	Tap 3/4" - gas	1	BI1084 100			B			
89	E01-226	Nut 1/2"	2	BI1004 101			M			
90	H21-027	Pipe 15 mm dia (bent) d.h.w.	1	BI1124 102			M			
91	H21-029	Pipe 22 mm dia gas	1	BI1124 101			M			
92	H21-030	Pipe 15 mm dia (straight) d.h.w.	1	BI1124 103			M			
93	E83-142	Full sequence control device	1	BI1305 101			B	Bertelli & Partners	FM30	
94	E83-144	O-ring gasket 1,78 x 6,75	1	BI1475 119			M			
95	E83-145	Temperature-pressure gauge	1	BI1475 108			M			
96		Cover panel	1			BI1605 108	M			
97	E94-738	Time switch	1	BI1525 101			B	Flash	Monotron 200 23011	
98	H27-577	Knob	2	BI1605 106			M			
99	E83-149	Shaft	2	BI1475 105			M			
100	E83-150	Control panel plug	1	BI1475 110			M			
101	H27-578	Hinge plugs (couple)	1	BI1605 107			M			
102	H27-580	Control panel box M96.24SM/C, M96.28SM/C	1	BI1605 104			M			
103	E83-152	Cable holder Replacement for discontinued KI1066 102	8	KI1066 208			B	Fastpoint S.r.l.	1207.BB01 XS	
104	E83-153	Terminal block	2	BI1475 109			B	Elettrogibi Odoardo Korner (alternative)	PA27 OK-433-FV	

CONTINUATION SHEET

Sheet 6 of 8

Appliance number(s) 47-970-23, 47-970-24,

(a)	(b)	(c)	(d)	(e)	(f)	(g)	(h)	(i)	(j)	(k)
Key no.	GC Part Number	Description	No. Off	Makers part number which have a CG number	Maker's old part number which have since been changed	Maker's new part number which DO NOT have a GC number	M B F	Original Supplier	Original Supplier part number	Retail price excl. VAT
105	409-727	Screw 3,5x16 mm self tap RPH	4	BI1165 101			F			
106	H21-037	Electronic control p.c.b.	1	BI1605 100			M			
107	169-083	Fuse 1,6A	1	BI1005 105			B			
108	E83-155	Service panel cover	1	BI1475 111			M			
109	H21-038	Control panel cover	1	BI1605 101			M			
110	H21-039	External controls cover	1	BI1605 102			M			
111	409-902	Screw 3,5X9,5 mm self tap RPH stainless steel	2	BI1615 104			F			
112	H21-041	Fan cable	1	BI1615 100			M			
113	H21-042	Detection to trap wiring	1	BI1615 101			M			
114	H21-043	Trap to earth wiring	1	BI1615 102			M			
115	H21-044	Flame detection electrode cable	1	BI1615 103			M			
116	E83-160	Ignition electrode cable	2	BI1485 101			M			
117	E83-162	Pump-diverter valve cable	1	BI1485 103			M			
118	E83-163	Time switch cable	1	BI1485 111			M			
119	E83-164	Electronic control p.c.b.-ignition device connection cable	1	BI1485 104			M			
120	E83-165	D.h.w. flow switch and temp. probe cable	1	BI1485 105			M			
121	E83-166	C.h. flow switch, temp. probe cable and modulator cable	1	BI1485 106			M			
122	E83-168	Power supply and external control cable	1	BI1485 107			M			
123	402-225	Machine Screw M5x10 Recessed Pan Head Mild steel	1	BI1035 109			F			
		BS4183 Bright zinc plate BS3382 Clear Passivated								
124	164-133	Toothed lock washer external 5,3x10 mm stainless	2	BI1035 110			F			
125	404-609	Full nut M5 Hexagon Steel grade 8 BS3692 Bright zinc plate BS3382 clear passivated	1	BI1035 111			F			
126	E83-169	Earth wiring	1	BI1485 108			M			
127	E83-170	Gas valve cable	1	BI1485 109			M			

CONTINUATION SHEET

Sheet 7 of 8

Appliance number(s) 47-970-23, 47-970-24,

(a)	(b)	(c)	(d)	(e)	(f)	(g)	(h)	(i)	(j)	(k)
Key no.	GC Part Number	Description	No. Off	Makers part number which have a CG number	Maker's old part number which have since been changed	Maker's new part number which DO NOT have a GC number	M B F	Original Supplier	Original Supplier part number	Retail price excl. VAT
128	169-110	Flue pipe gasket	1	BI1016 104			M			
129	H21-045	Flue outlet gasket	1	BI1406 112			M			
130	169-127	Air pressure switch M96.24SM/C	1	KI1267 103			B	Yamatake-Honeywell	C6065 0,88 mbar	
130 A	H27-582	Air pressure switch M96.28SM/C, M96.28SR/C	1	BI1376 104			B	Yamatake-Honeywell	C6065 1,38 mbar	
131	E83-188	Venturi device tube	1	BI1256 101			M			
132	H21-047	Fan outlet gasket	1	BI1406 113			M			
133	H21-048	Fan M96.24SM/C	1	BI1406 100			B	FIME	GR 02445 47W	
133 A	H21-049	Fan M96.28SM/C, M96.28SR/C	1	BI1406 101			B	FIME	GR 02440 60W	
134	H21-050	Flue hood M96.24SM/C	1	BI1406 108			M			
134 A	H21-051	Flue hood M96.28SM/C, M96.28SR/C	1	BI1406 109			M			
135	H21-052	Side case panel	2	BI1406 106			M			
136	H21-054	Air deflector - right	1	BI1406 114			M			
137	E83-178	Combustion chamber side panel	2	BI1326 100			M			
138	H21-055	Combustion chamber front panel M96.24SM/C	1	BI1406 103			M			
138 A	H21-056	Combustion chamber front panel M96.28SM/C,	1	BI1406 104			M			
		M96.28SR/C								
139	409-702	Screw 4,2x13 mm AB self tapping RPH BZP	2	BI1336 115			F			
140	H21-057	Front case panel	1	BI1406 107			M			
141	E69-243	Window (glass + rubber frame)	1	BI1206 118			M			
142	409-747	Screw 4,8x13 mm AB self tapping RPH BZP	4	BI1336 114			F			
143	H21-059	Sealed chamber lid	1	BI1406 105			M			
144	H21-060	Sealed chamber gaskets kit	1	BI1406 500			M			
145	E83-180	Combustion chamber rear panel M96.24SM/C	1	BI1326 107			M			
145 A	E83-181	Combustion chamber rear panel M96.28SM/C,	1	BI1326 108			M			
		M96.28SR/C								

DRAFT BRITISH GAS PART LIST

Date _____
 Sheet 1 of 7
 Manufacturer Biasi SpA – Italy
 Appliance(s) , M96.28SR/C
 GC Appliance Number(s) , , 41–970–12
 Contract Name _____
 Telephone Number _____

(a)	(b)	(c)	(d)	(e)	(f)	(g)	(h)	(i)	(j)	(k)
Key no.	GC Part Number	Description	No. Off	Makers part number which have a CG number	Maker's old part number which have since been changed	Maker's new part number which DO NOT have a GC number	M B F	Original Supplier	Original Supplier part number	Retail price excl. VAT
		Position of data badge: inner side of left case panel								
		Instructions booklets set	1			BI1913 501	M			
1	E83–013	Safety valve 3 bar	1	BI1131 100			B	Watts Intermes – Caldaro Italy	3 bar	
								Orkli (alternative)	3 bar	
2	E23–759	Safety valve connection	1	BI1001 127			M			
3	H05–158	Safety valve connection pipe	1	BI1131 106			M			
4	E00–679	O–ring gasket 1,78x15,6	1	BI1001 131			M			
5	E00–669	Drainage valve	1	BI1011 104			B	Watts Intermes – Caldaro Italy	RSR8 1/4"	
6	H20–945	O–ring gasket 17,04x4,00	5	BI1212 112			M			
8	H06–023	Return group kit M96.28SR/C	1	BI1171 100			M			
9	169–033	Flat gasket 3/4"	9	BI1001 108			M			
10	E23–757	Toothed lock washer external 6,4 mm	2	BI1001 124			F			
11	E00–670	Screw M6x8 – BZP RPH	2	BI1001 123			F			
18	E00–668	O–ring gasket 1,78x12,42 by–pass pipe	2	BI1001 115			M			
19	E83–083	By–pass pipe	1	BI1131 101			M			
20	169–060	O–ring gasket 18,64x3,53	4	KI1043 144			M			
21	E00–672	By–pass pipe fixing fork	2	BI1001 111			M			
22	E00–676	O–ring gasket 1,78x14	1	BI1001 129			M			
26	E00–680	O–ring gasket 2,62x23,47	3	BI1011 107			M			
28	H27–556	Flow group kit M96.28SR/C	1	BI1171 103			M			
29	164–025	O–ring gasket 9,25x1,78 (NTC)	1	KI1001 128			M			
30	164–026	Temperature probe (special)	1	BI1001 117			M			
31	E00–688	Central heating pressure switch membrane	1	BI1011 103			M			
32	E00–687	Central heating pressure switch disk	1	BI1011 111			M			
33	E00–686	Central heating pressure switch spring	1	BI1011 110			M			

CONTINUATION SHEET

Sheet 2 of 7

Appliance number(s) , , 41-970-12

(a)	(b)	(c)	(d)	(e)	(f)	(g)	(h)	(i)	(j)	(k)
Key no.	GC Part Number	Description	No. Off	Makers part number which have a CG number	Maker's old part number which have since been changed	Maker's new part number which DO NOT have a GC number	M B F	Original Supplier	Original Supplier part number	Retail price excl. VAT
34	E00-685	Screw M4x12 mm Stainless steel SCH	4	BI1011 109			F			
35	E00-681	Microswitch guide bush	1	BI1011 502			M			
36	E00-684	Microswitch kit	1	BI1011 505			M			
37	E00-683	Microswitch box fixing clip	1	BI1011 105			M			
38	E00-682	Screw 2,9x13 mm AB self tapping BZP - RCH	3	BI1011 108			F			
39	H20-966	By-pass kit	1	BI1141 505			M			
40	H06-027	By-pass pipe	1	BI1171 102			M			
41	H20-969	Condensing heat exchanger	1	BI1262 111			M			
42	H20-970	O-ring gasket 2,62x17.86	3	BI1262 112			M			
43	E83-108	Condensing heat exchanger connection clip	3	BI1172 101			M			
44	H20-972	Connection spring	2	BI1262 117			F			
45	H20-977	Condensing heat exchanger inlet pipe - upper	1	BI1262 109						
46	169-104	Grommet	4	BI1002 113			M			
47	H20-980	Condensate discharge pipe	1	BI1262 110			M			
48	H20-981	O-ring gasket 1,9X16	2	BI1262 114			M			
49	H20-982	Condensing heat exchanger inlet pipe - lower	1	BI1262 108			M			
50	H20-984	Main exchanger M96.24SM/C,	1	BI1262 101			M			
50 A	H20-985	Main exchanger M96.28SM/C, M96.28SR/C	1	BI1262 102			M			
51	E94-723	Overheat thermostat fixing clip	1	BI1182 100			M			
52	E83-101	Overheat thermostat	1	BI1172 105			B	Elth	261 105° C	
53	169-025	O-ring gasket 17,04x3,53	1	KI1043 114			M			
54	E94-737	Main exchanger connection clip	1	BI1182 106			M			
55	H20-986	Automatic air purger valve	1	BI1212 107			M			
56	H20-987	Pump connection fork	1	BI1262 116			M			
57	H20-989	Condensate trap	1	BI1262 118			M			

CONTINUATION SHEET

Sheet 3 of 7

Appliance number(s) , , 41-970-12

(a)	(b)	(c)	(d)	(e)	(f)	(g)	(h)	(i)	(j)	(k)
Key no.	GC Part Number	Description	No. Off	Makers part number which have a CG number	Maker's old part number which have since been changed	Maker's new part number which DO NOT have a GC number	M B F	Original Supplier	Original Supplier part number	Retail price excl. VAT
58	H20-990	Fork	1	BI1262 120			M			
59	169-015	Fork	1	KI1042 101			M			
60	169-040	Fork	1	KI1042 115			M			
61	H20-992	Screw 5X16	2	BI1262 115			F			
62	H20-993	Pump (complete)	1	BI1262 103			M	Wilo	NFSL12/6-1 HE CRF9-S 82W	
63	H20-994	Pump (motor)	1	BI1262 119			B			
64	E83-114	Pump gasket	1	BI1172 113			M			
65	H27-563	Main exchanger outlet pipe M96.28SR/C	1	BI1262 121			M			
66	169-045	Probe holder	1	BI1105 108			M			
67	H20-996	O-ring gasket 2,62X9,92	1	BI1262 113			M			
68	H20-997	Expansion vessel connection pipe	1	BI1262 105			M			
69	H03-727	Flat gasket 3/8" O.D 15 mm, i.d. 8.5 mm	2	BI1202 105			M			
70	E83-121	Expansion vessel	1	BI1172 103			B	CIMM Srl - Castello di Godego Italy	CP387 6L	
								Zilmet - Italy (alternative)	13C0000600	
71	H27-566	Condensing heat exchanger outlet pipe	1	BI1262 107			M			
72	169-069	Injectors with gaskets 130 - NG	14	KI1064 505			B	Polidoro		
72 A	E01-156	Injectors with gaskets 75 - LPG	14	BI1003 509			B	Polidoro		
73	173-148	Burner M96.24SM/C	1	KI1004 102			B	Polidoro		
73 A	173-149	Burner M96.28SM/C, M96.28SR/C	1	KI1004 147			B	Polidoro		
74	E83-122	Detection electrode	1	BI1123 102			M			
75	E83-126	Ignition electrode - right	1	BI1123 103			M			
76	E83-127	Ignition electrode - left	1	BI1123 101			M			
77	169-125	Grommet	1	BI1002 115			M			
78	409-736	Tapping screw 3,5x9,5 recessed pan head	24	BI1013 115			F			

CONTINUATION SHEET

Sheet 4 of 7

Appliance number(s) , , 41-970-12

(a)	(b)	(c)	(d)	(e)	(f)	(g)	(h)	(i)	(j)	(k)
Key no.	GC Part Number	Description	No. Off	Makers part number which have a CG number	Maker's old part number which have since been changed	Maker's new part number which DO NOT have a GC number	M B F	Original Supplier	Original Supplier part number	Retail price excl. VAT
79	409-531	Taptite screw M4x8 Recessed pan head Hardened steel	4	BI1013 111			F			
		Bright Zinc Plated BS3382 Clear passivated and lanolin								
		Dipped								
80	402-124	Machine Screw M4x8 mm Recessed pan head Mild steel	2	BI1013 114			F			
		BS4183 Bright zinc plate BS3382 Clear passiv.								
81 A	H03-746	Gas valve	1	BI1193105			B	Sit	845 Sigma	
81 B	H21-018	Gas valve on-off operator coils		BI1093 107			B	Sit	0.967.158	
82	H21-019	Gas pipe to the manifold	1	BI1213 100			M			
83	409-722	Tapping Screw ISO No8 B 4,2x9,5 Recessed Pan Head	34	BI1013 110			F			
		Hardened Steel BS4174 Bright Zinc plate BS1706 Clear								
		Passivated								
84	E83-131	Gas manifold with injectors NG M96.24SM/C	1	BI1183 103			B	Polidoro		
84 A	H21-021	Gas manifold with injectors LPG M96.24SM/C	1	BI1213 101			B	Polidoro		
84 B	E83-133	Gas manifold with injectors NG M96.28SM/C, M96.28SR/C	1	BI1183 105			B	Polidoro		
84 C	H21-023	Gas manifold with injectors LPG M96.28SM/C,	1	BI1213 102			B	Polidoro		
		M96.28SR/C								
85	H21-025	C.h. connection pipe	2	BI1124 100			M			
86	E83-136	Tap 3/4" - c.h.	2	BI1084 105			B			
88	E83-138	Tap 3/4" - gas	1	BI1084 100			B			
91	H21-029	Pipe 22 mm dia gas	1	BI1124 101			M			
93	E83-142	Full sequence control device	1	BI1305 101			B	Bertelli & Partners	FM30	
94	E83-144	O-ring gasket 1,78 x 6,75	1	BI1475 119			M			
95	E83-145	Temperature-pressure gauge	1	BI1475 108			M			
96		Cover panel	1			BI1605 108	M			
98	H27-577	Knob	1	BI1605 106			M			

CONTINUATION SHEET

Sheet 5 of 7

Appliance number(s) , , 41-970-12

(a)	(b)	(c)	(d)	(e)	(f)	(g)	(h)	(i)	(j)	(k)
Key no.	GC Part Number	Description	No. Off	Makers part number which have a CG number	Maker's old part number which have since been changed	Maker's new part number which DO NOT have a GC number	M B F	Original Supplier	Original Supplier part number	Retail price excl. VAT
99	E83-149	Shaft	1	BI1475 105			M			
100	E83-150	Control panel plug	1	BI1475 110			M			
101	H27-578	Hinge plugs (couple)	1	BI1605 107			M			
102	H27-581	Control panel box M96.28SR/C	1	BI1605 105			M			
103	E83-152	Cable holder	8	KI1066 208			B	Fastpoint S.r.l.	1207.BB01 XS	
		Replacement for discontinued KI1066 102								
104	E83-153	Terminal block	2	BI1475 109			B	Elettrogibi	PA27	
								Odoardo Korner (alternative)	OK-433-FV	
105	409-727	Screw 3,5x16 mm self tap RPH	4	BI1165 101			F			
106	H21-037	Electronic control p.c.b.	1	BI1605 100			M			
107	169-083	Fuse 1.6A	1	BI1005 105			B			
108	E83-155	Service panel cover	1	BI1475 111			M			
109	H21-038	Control panel cover	1	BI1605 101			M			
110	H21-039	External controls cover	1	BI1605 102			M			
111	409-902	Screw 3,5X9,5 mm self tap RPH stainless steel	2	BI1615 104			F			
112	H21-041	Fan cable	1	BI1615 100			M			
113	H21-042	Detection to trap wiring	1	BI1615 101			M			
114	H21-043	Trap to earth wiring	1	BI1615 102			M			
115	H21-044	Flame detection electrode cable	1	BI1615 103			M			
116	E83-160	Ignition electrode cable	2	BI1485 101			M			
117	E83-200	Pump cable	1	BI1485 114			M			
119	E83-164	Electronic control p.c.b. - ignition device connection cable	1	BI1485 104			M			
121	E83-166	C.h. flow switch, temp. probe cable and modulator cable	1	BI1485 106			M			
122	E83-168	Power supply and external control cable	1	BI1485 107			M			

CONTINUATION SHEET

Sheet 6 of 7

Appliance number(s) , , 41-970-12

(a)	(b)	(c)	(d)	(e)	(f)	(g)	(h)	(i)	(j)	(k)
Key no.	GC Part Number	Description	No. Off	Makers part number which have a CG number	Maker's old part number which have since been changed	Maker's new part number which DO NOT have a GC number	M B F	Original Supplier	Original Supplier part number	Retail price excl. VAT
123	402-225	Machine Screw M5x10 Recessed Pan Head Mild steel	1	BI1035 109			F			
		BS4183 Bright zinc plate BS3382 Clear Passivated								
124	164-133	Toothed lock washer external 5,3x10 mm stainless	2	BI1035 110			F			
125	404-609	Full nut M5 Hexagon Steel grade 8 BS3692 Bright zinc	1	BI1035 111			F			
		plate BS3382 clear passivated								
126	E83-169	Earth wiring	1	BI1485 108			M			
127	E83-170	Gas valve cable	1	BI1485 109			M			
128	169-110	Flue pipe gasket	1	BI1016 104			M			
129	H21-045	Flue outlet gasket	1	BI1406 112			M			
130	169-127	Air pressure switch M96.24SM/C	1	KI1267 103			B	Yamatake-Honeywell	C6065 0,88 mbar	
130 A	H27-582	Air pressure switch M96.28SM/C, M96.28SR/C	1	BI1376 104			B	Yamatake-Honeywell	C6065 1,38 mbar	
131	E83-188	Venturi device tube	1	BI1256 101			M			
132	H21-047	Fan outlet gasket	1	BI1406 113			M			
133	H21-048	Fan M96.24SM/C	1	BI1406 100			B	FIME	GR 02445 47W	
133 A	H21-049	Fan M96.28SM/C, M96.28SR/C	1	BI1406 101			B	FIME	GR 02440 60W	
134	H21-050	Flue hood M96.24SM/C	1	BI1406 108			M			
134 A	H21-051	Flue hood M96.28SM/C, M96.28SR/C	1	BI1406 109			M			
135	H21-052	Side case panel	2	BI1406 106			M			
136	H21-054	Air deflector - right	1	BI1406 114			M			
137	E83-178	Combustion chamber side panel	2	BI1326 100			M			
138	H21-055	Combustion chamber front panel M96.24SM/C	1	BI1406 103			M			
138 A	H21-056	Combustion chamber front panel M96.28SM/C, M96.28SR/C	1	BI1406 104			M			
139	409-702	Screw 4,2x13 mm AB self tapping RPH BZP	2	BI1336 115			F			
140	H21-057	Front case panel	1	BI1406 107			M			

