



Spare Parts List

M96.24SM/C2

M96.28SM/C2

M96.32SM/C2

M96.28SR/C2

Issue 11/2006

Table description	Issue	n. of pages
Overall view	11/2006	2
C.h. return group and d.h.w. heat exchanger	11/2006	2
C.h. flow group and three way diverter valve	11/2006	2
C.h. flow and return groups M96.28SR/C2	01/2006	1
Pump and main circuit assembly	09/2006	1
Pump and main circuit assembly M96.28SR/C2	01/2006	1
Gas assembly	09/2006	1
Valves and connection pipes	09/2006	1
Control panel and ignition device	09/2006	1
Wiring	09/2006	1
Fan, combustion chamber and case panels	09/2006	1
List of parts M96.24SM/C2 M96.28SM/C2	11/2006	13
List of parts M96.28SR/C2	01/2006	7

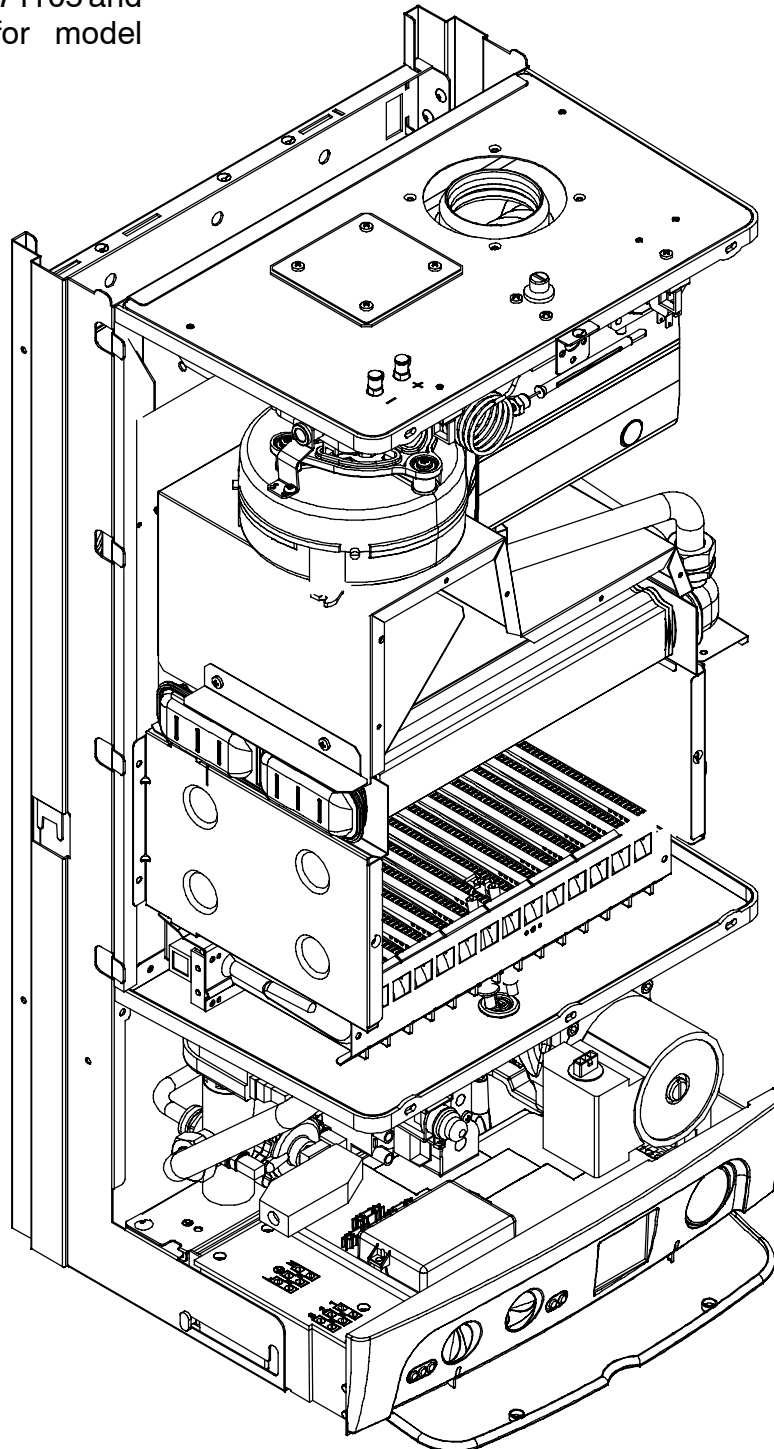
M96.24SM/C2
M96.28SM/C2
M96.32SM/C2
M96.28SR/C2

47-583-05
47-583-06
47-583-07
41-583-02

Overall view

DATA BADGE: inner side of left case panel

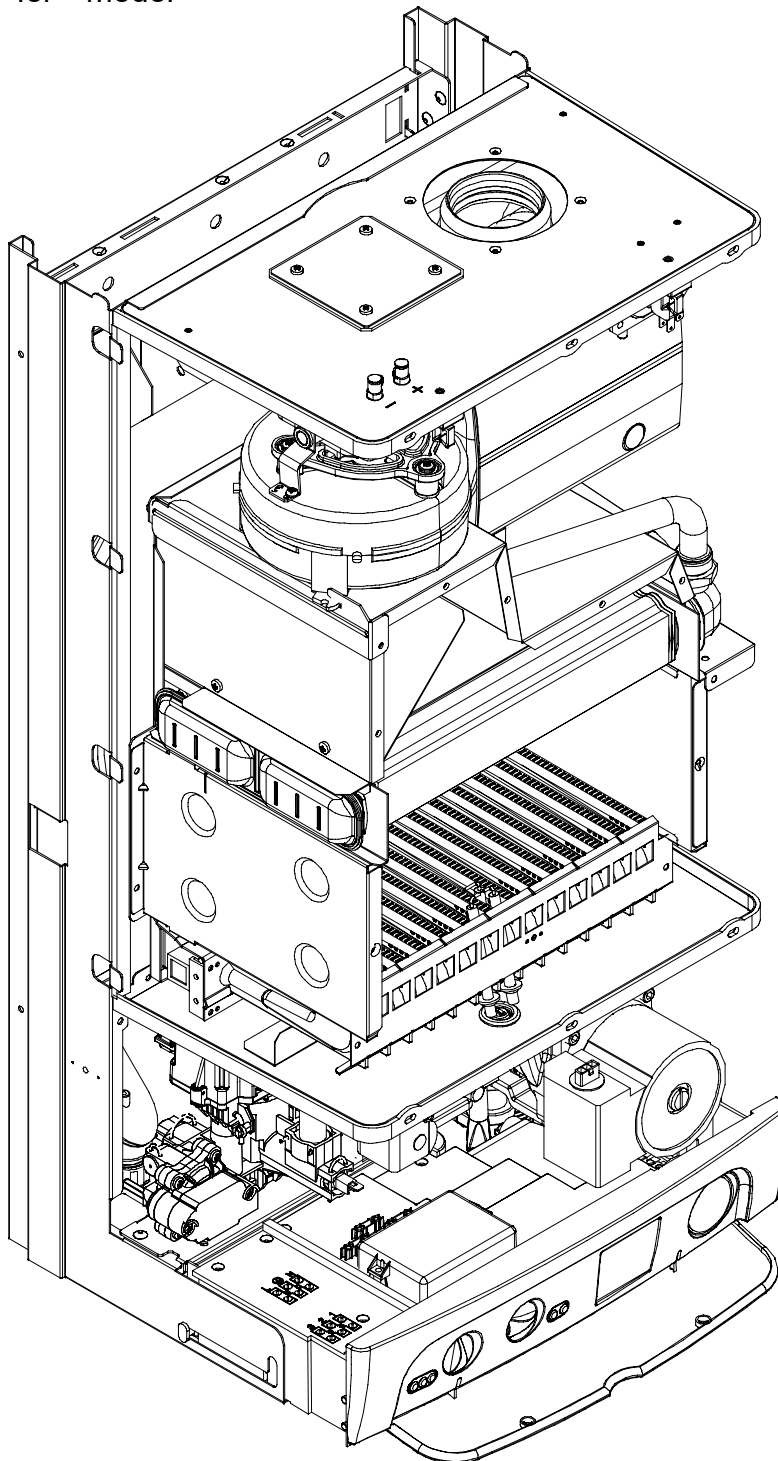
up to serial no. N103771105 and
from N105801107 for model
M96.28SM/C2



Overall view

DATA BADGE: inner side of left case panel

from serial no. N103771106 up
to N105801106 for model
M96.28SM/C2

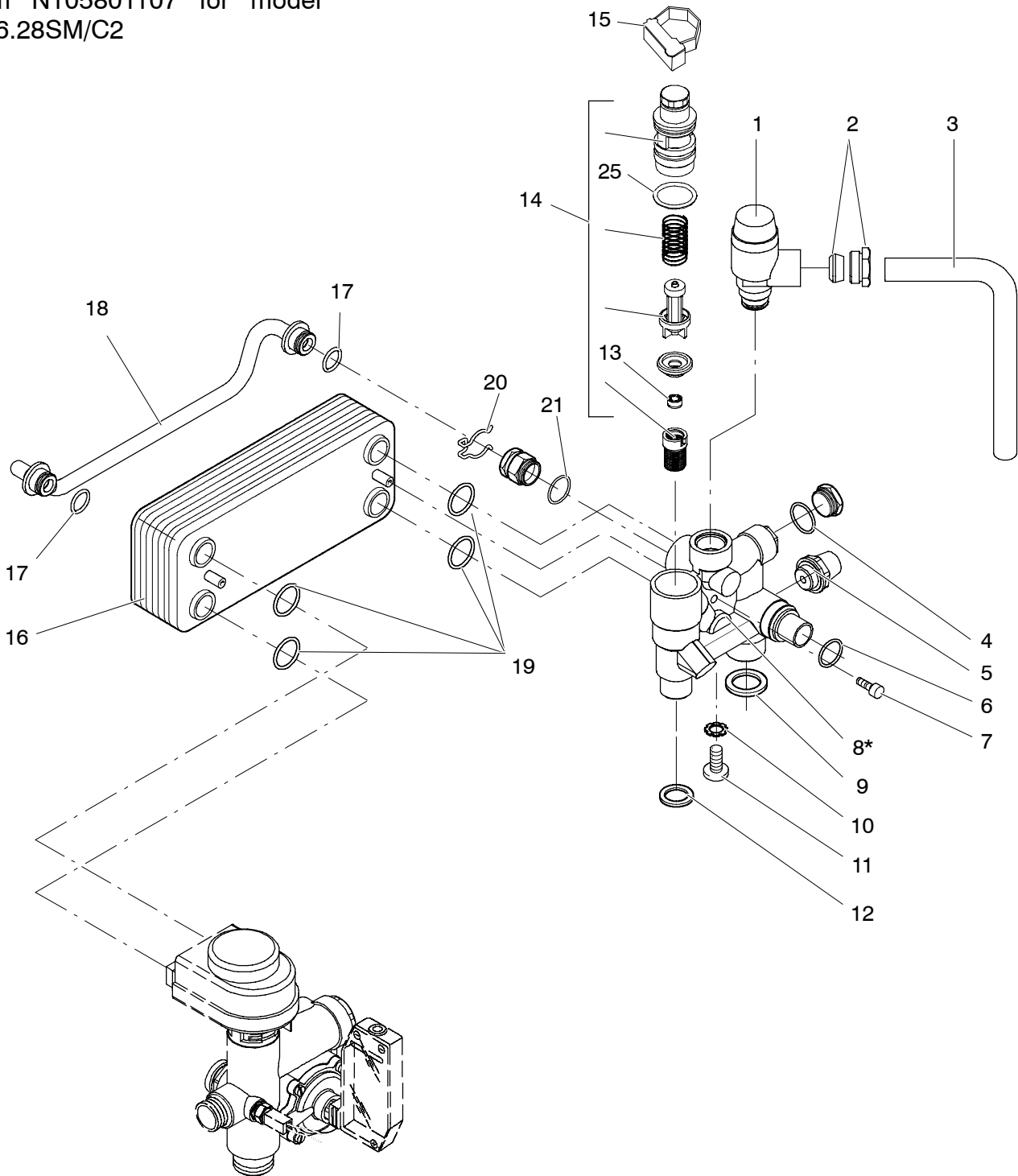


M96.24SM/C2
M96.28SM/C2
M96.32SM/C2

47-583-05
47-583-06
47-583-07

C.h. return group and d.h.w. heat exchanger

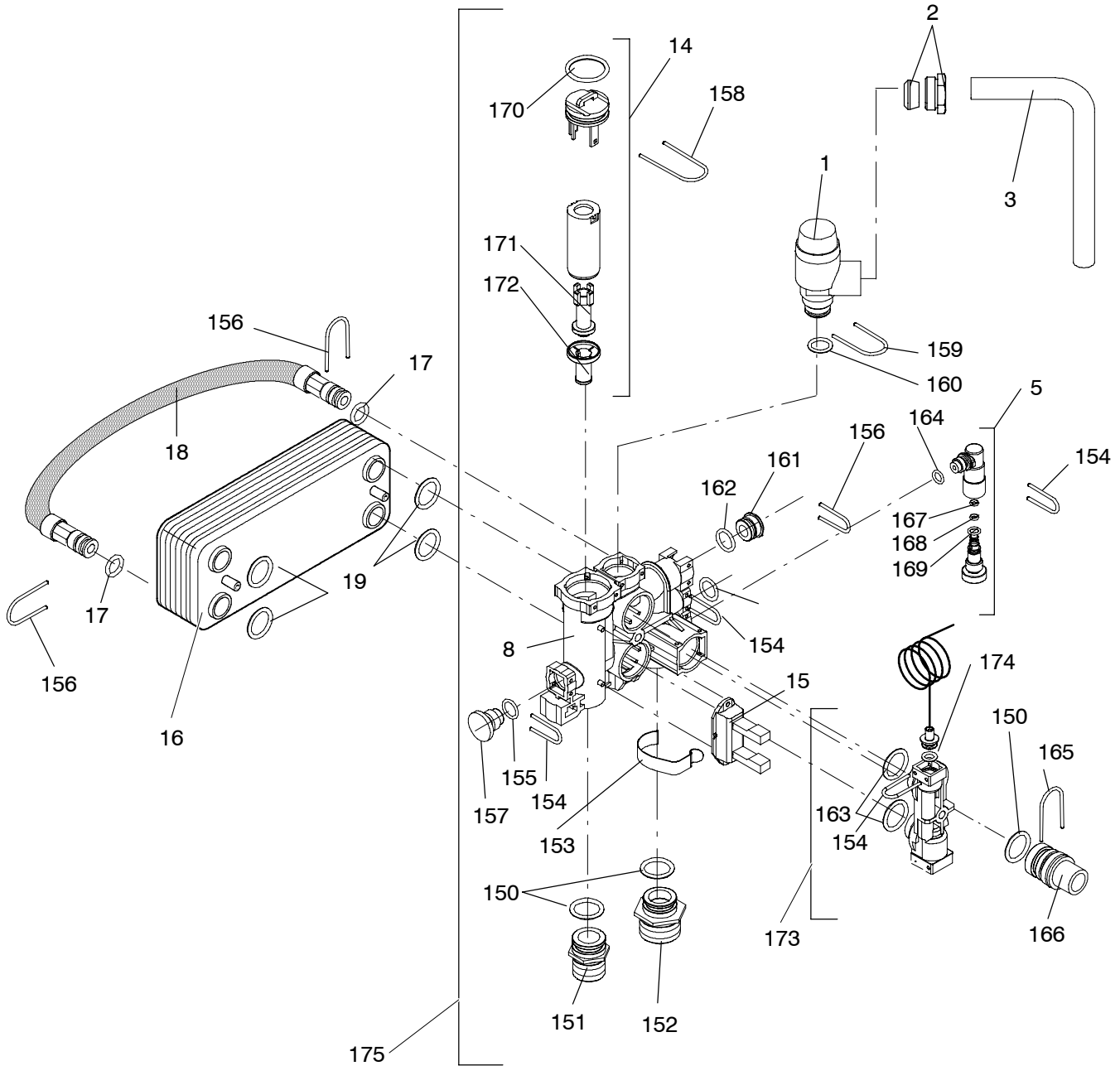
up to serial no. N103771105 and
from N105801107 for model
M96.28SM/C2



* Includes items 4, 14, 21

C.h. return group and d.h.w. heat exchanger

from serial no. N103771106 up to
N105801106 for model M96.28SM/C2

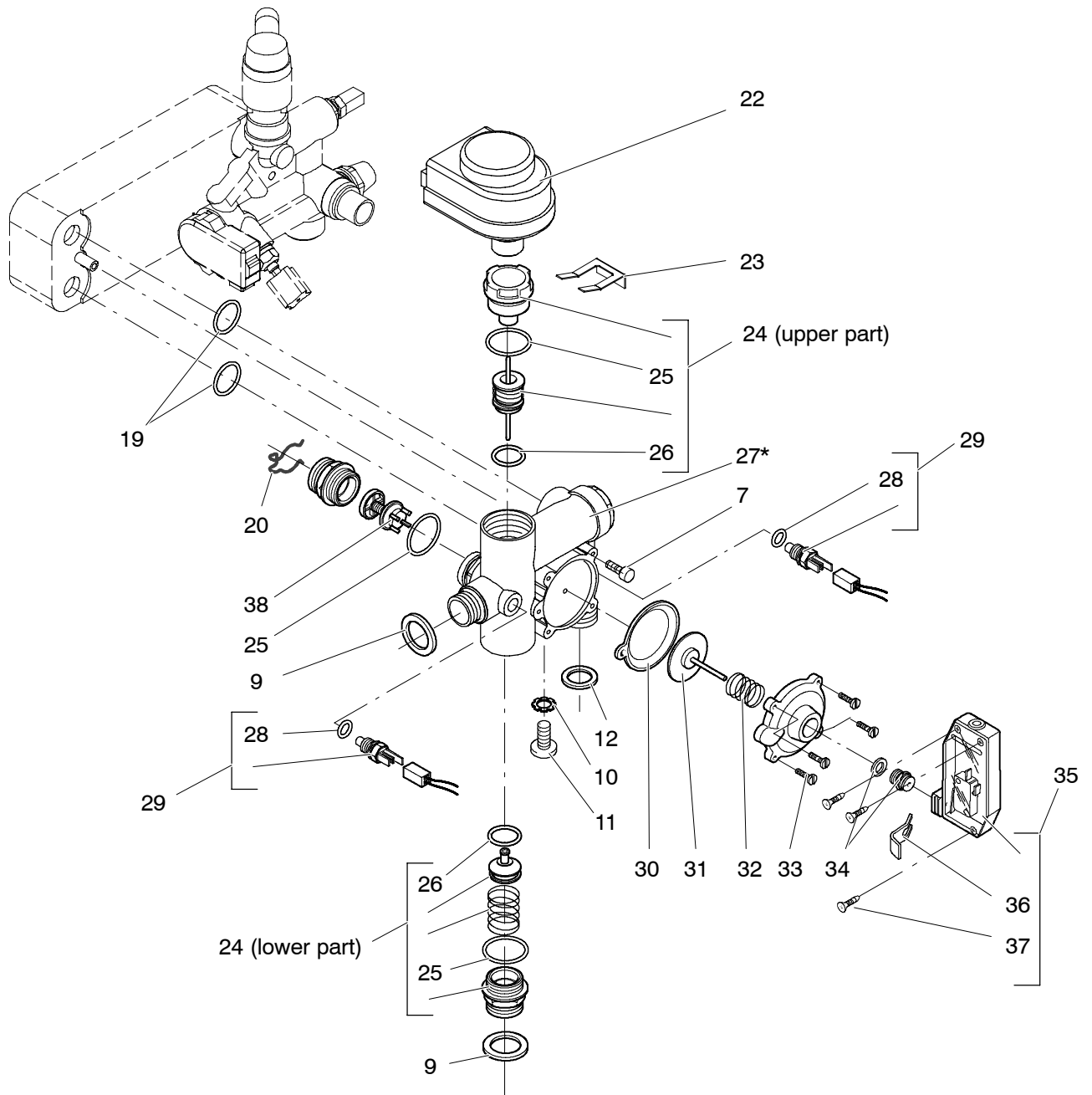


M96.24SM/C2
M96.28SM/C2
M96.32SM/C2

47-583-05
47-583-06
47-583-07

C.h. flow group and three way diverter valve

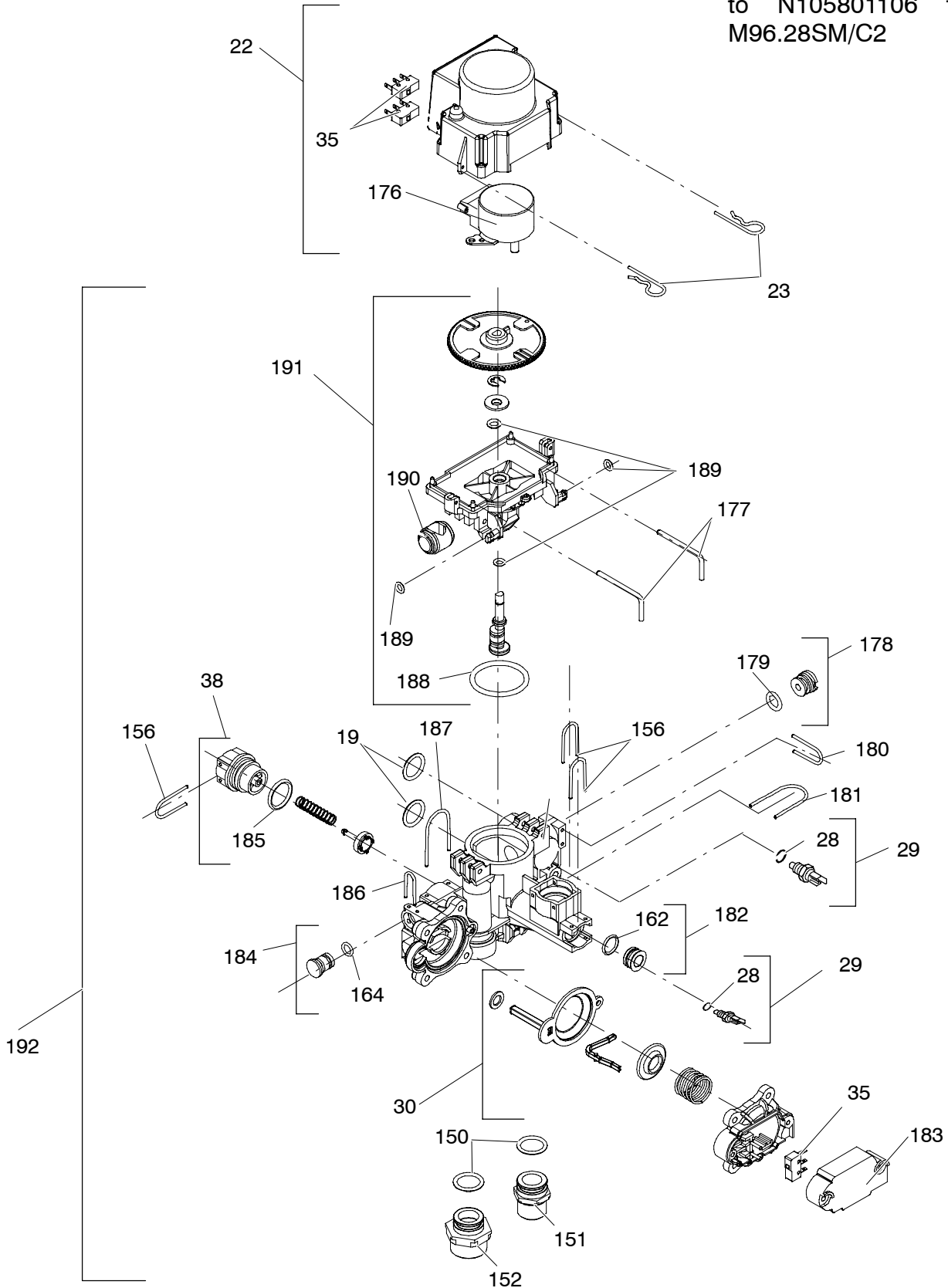
up to serial no. N103771105
and from N105801107 for model M96.28SM/C2



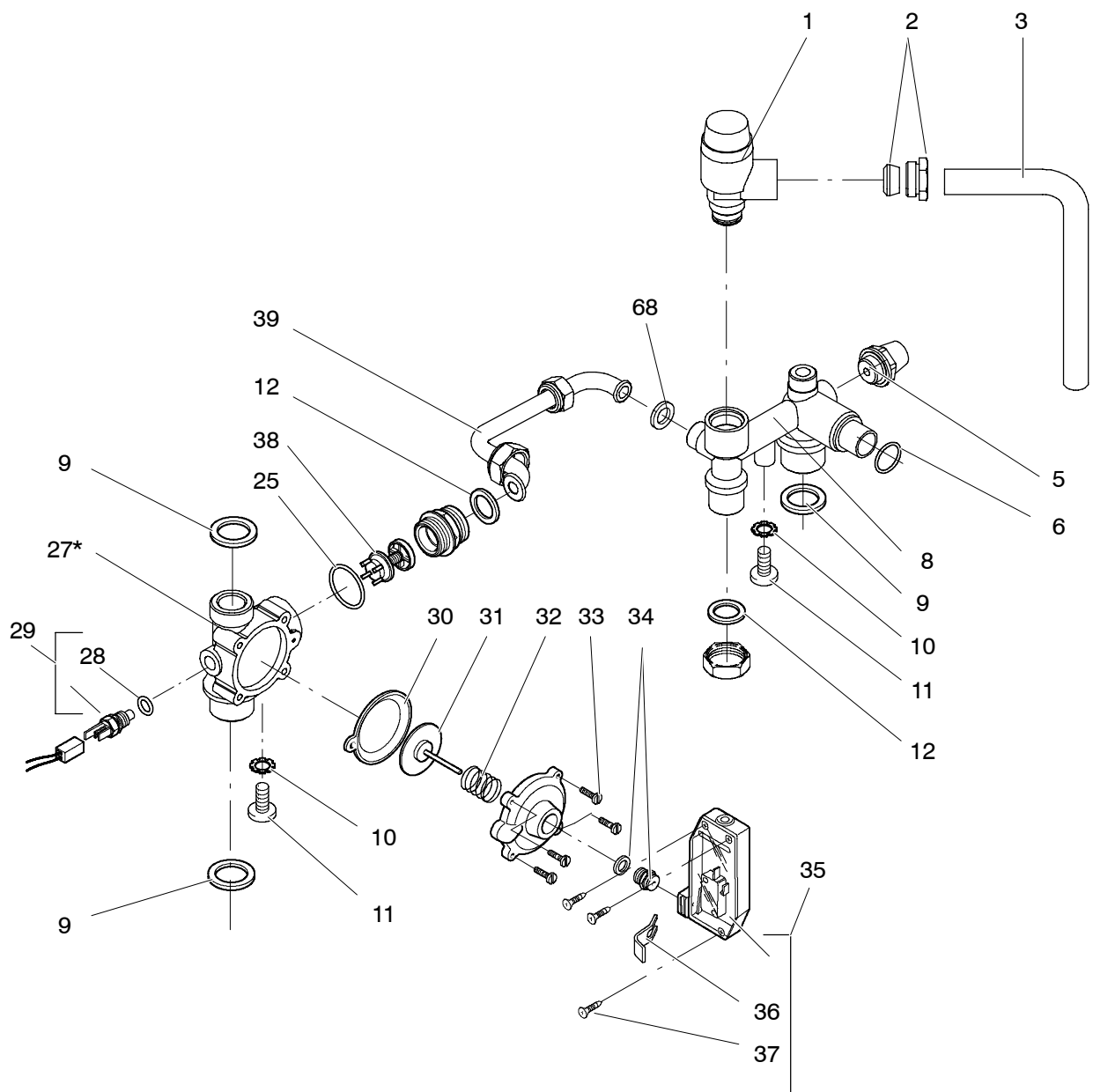
* Includes items 24, 30, 31, 32, 33, 34, 25, 38

C.h. flow group and three way diverter valve

from serial no. N103771106 up
to N105801106 for model
M96.28SM/C2



C.h. flow and return groups

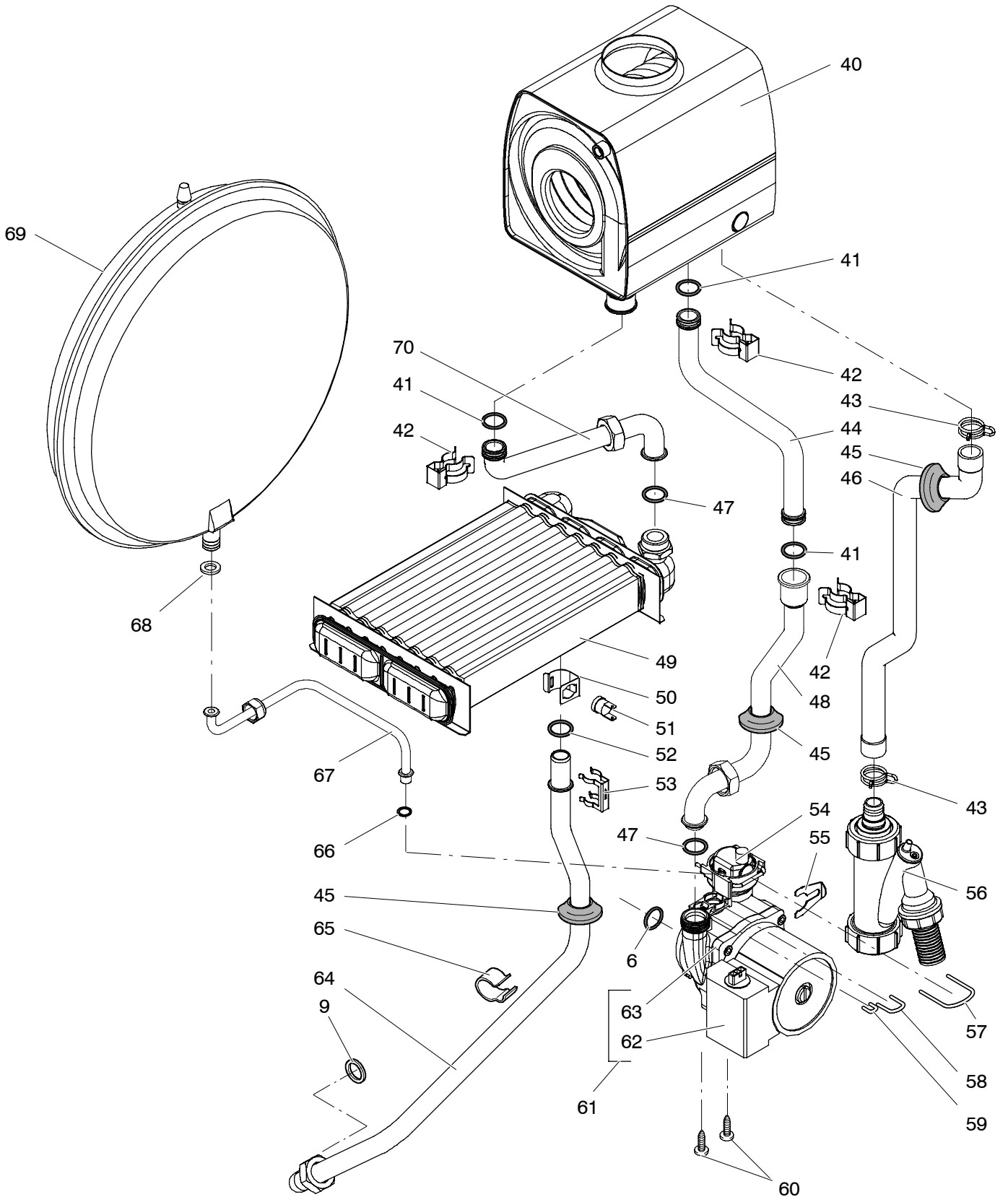


* Includes items 25, 30, 31, 32, 33, 34, 38

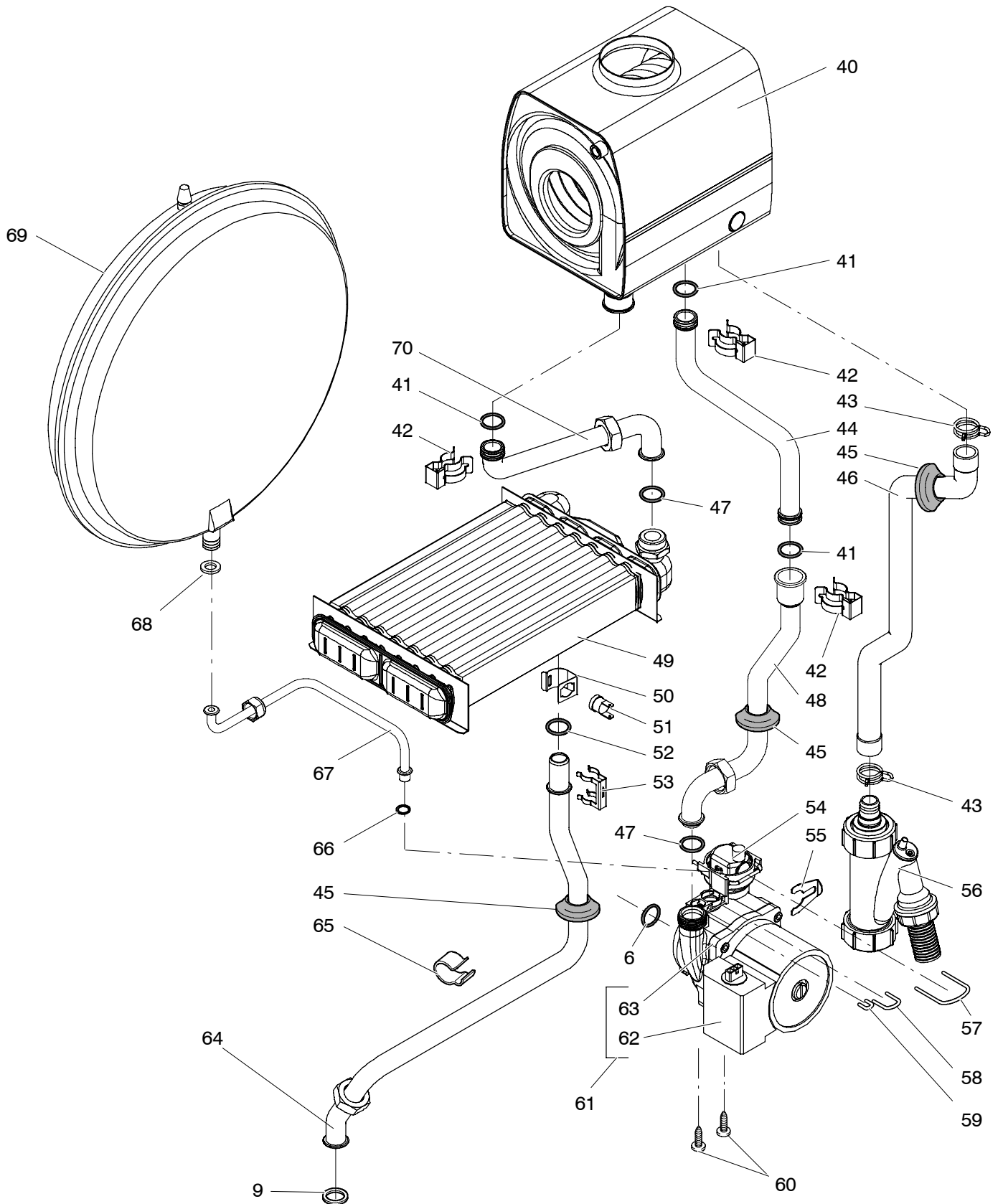
M96.24SM/C2
M96.28SM/C2
M96.32SM/C2

47-583-05
47-583-06
47-583-07

Pump and main circuit assembly



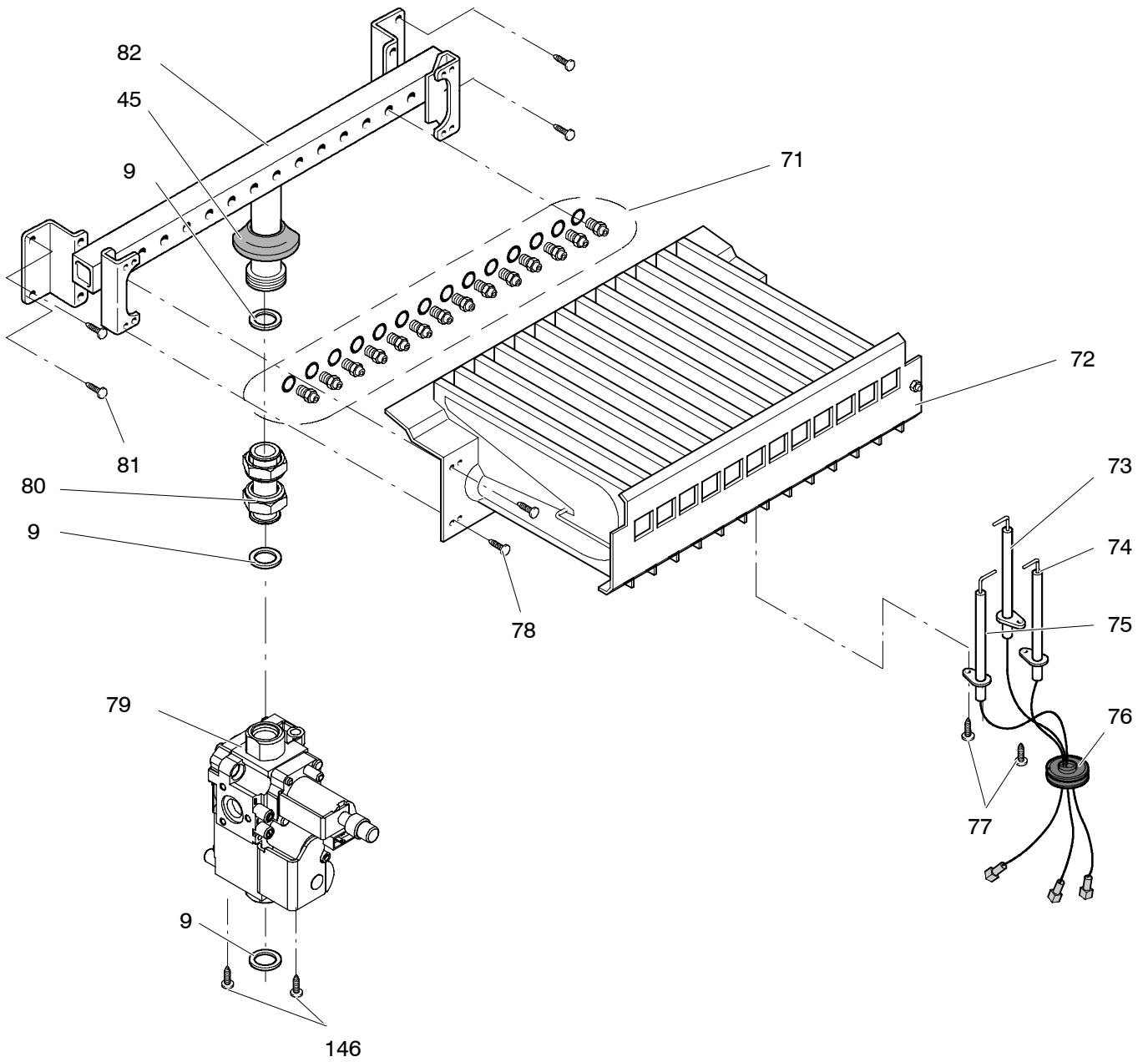
Pump and main circuit assembly



M96.24SM/C2
M96.28SM/C2
M96.32SM/C2
M96.28SR/C2

47-583-05
47-583-06
47-583-07
41-583-02

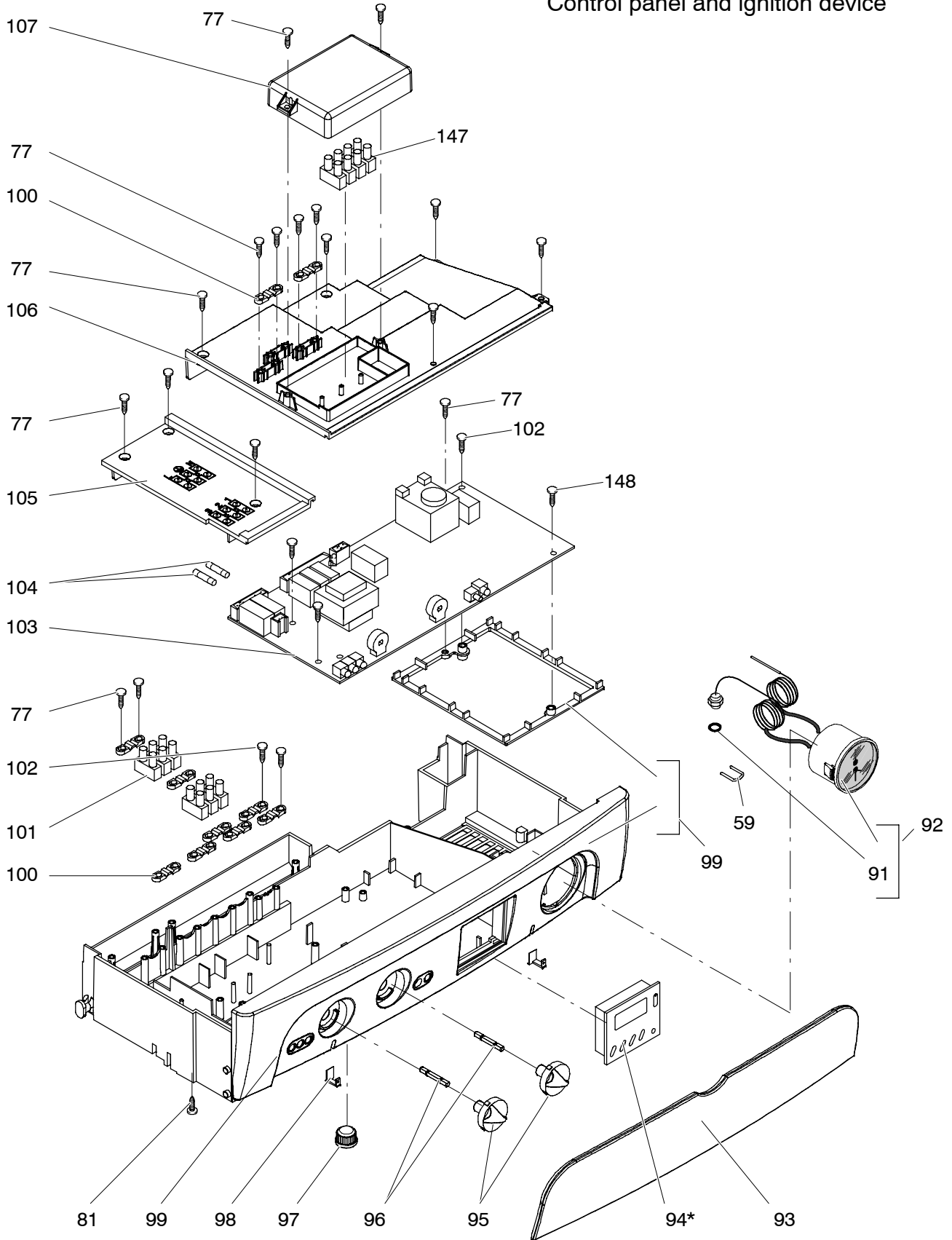
Gas assembly



M96.24SM/C2
M96.28SM/C2
M96.32SM/C2
M96.28SR/C2

47-583-05
47-583-06
47-583-07
41-583-02

Control panel and ignition device

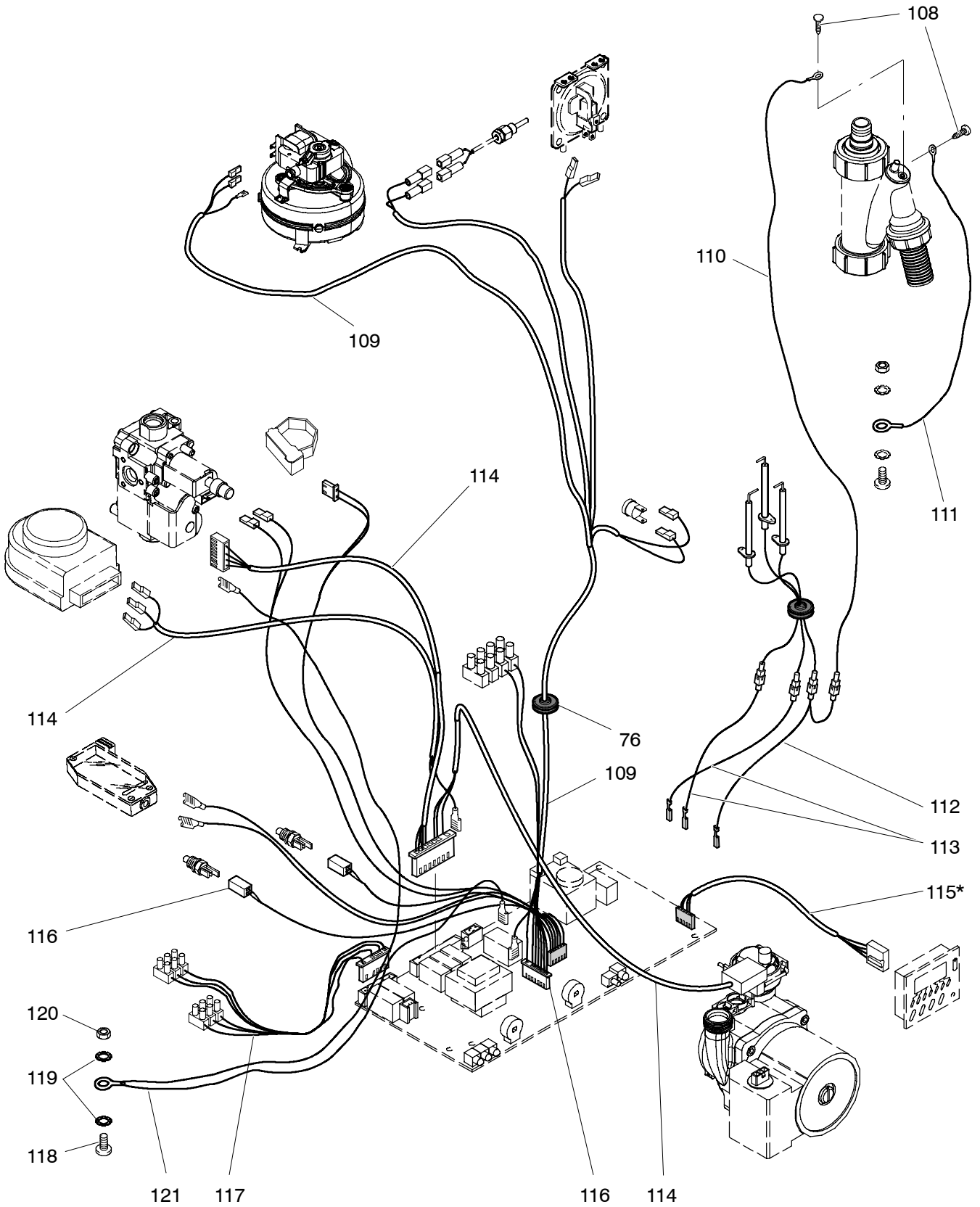


* Not for model M96.28SR/C2

M96.24SM/C2
M96.28SM/C2
M96.32SM/C2
M96.28SR/C2

47-583-05
47-583-06
47-583-07
41-583-02

Wiring

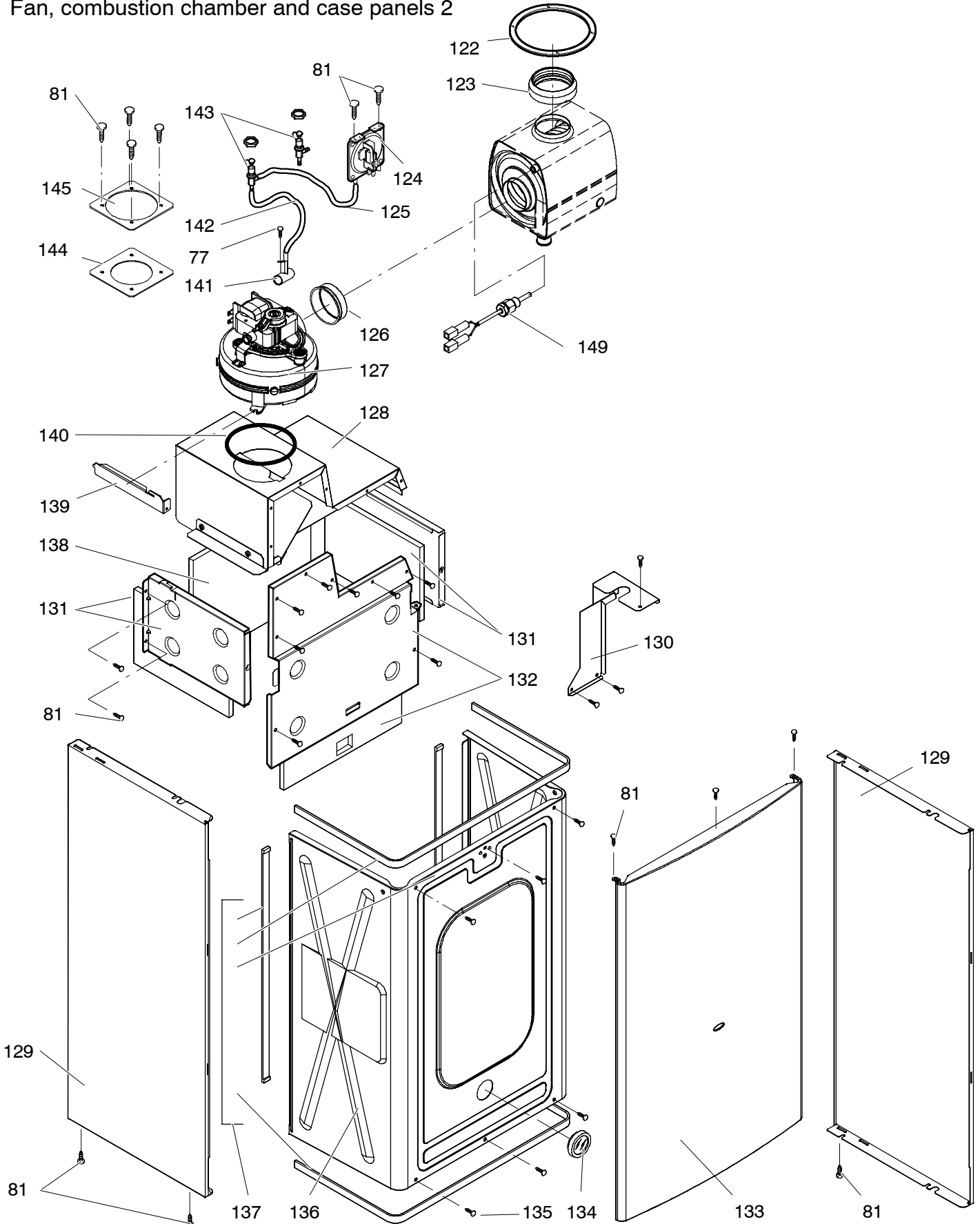


* Not for model M96.28SR/C2

M96.24SM/C2
M96.28SM/C2
M96.32SM/C2
M96.28SR/C2

47-583-05
47-583-06
47-583-07
41-583-02

Fan, combustion chamber and case panels 2



DRAFT BRITISH GAS PART LIST

Date _____
 Sheet 1 of 13
 Manufacturer Biasi SpA – Italy
 Appliance(s) M96.24SM/C2, M96.28SM/C2, M96.32SM/C2
 GC Appliance Number(s) 47–583–05, 47–583–06, 47–583–07
 Contract Name _____
 Telephone Number _____

(a)	(b)	(c)	(d)	(e)	(f)	(g)	(h)	(i)	(j)	(k)
Key no.	GC Part Number	Description	No. Off	Makers part number which have a CG number	Maker's old part number which have since been changed	Maker's new part number which DO NOT have a GC number	M B F	Original Supplier	Original Supplier part number	Retail price excl. VAT
		Position of data badge: inner side of left case panel								
		Instructions booklets set	1			BI1913 504	M			
1	E83–013	Safety valve 3 bar up to serial no. N103771105 and from	1	BI1131 100			B	Watts Intermes – Caldaro Italy	3 bar	
		N105801107 for model M96.28SM/C2						Orkli (alternative)	3 bar	
		Safety valve 3 bar from serial no. N103771106 up to	1			BI1181 100	B			
		N105801106 for model M96.28SM/C2								
2	E23–759	Safety valve connection	1	BI1001 127			M			
3	H05–158	Safety valve connection pipe	1	BI1131 106			M			
4	E00–679	O–ring gasket 1,78x15,6 up to serial no. N103771105 and	1	BI1001 131			M			
		from N105801107 for model M96.28SM/C2								
5	E00–669	Drainage valve up to serial no. N103771105 and from	1	BI1011 104			B	Watts Intermes – Caldaro Italy	RSR8 1/4"	
		N105801107 for model M96.28SM/C2								
		Drainage valve from serial no. N103771106 up to				BI1181 501	B			
		N105801106 for model M96.28SM/C2								
6	H20–945	O–ring gasket 17,04x4,00	5	BI1212 112			M			
7	H44–143	Screw M5x25 – Hexagon socket cap up to serial no.	2	BI1131 107			F			
		N103771105 and from N105801107 for model								
		M96.28SM/C2								
8	H32–548	Return group kit M96.24SM/C2, M96.28SM/C2	1	BI1271 502			M			
		M96.32SM/C2 up to serial no. N103771105 and from								
		N105801107 for model M96.28SM/C2								
		Return group kit from serial no. N103771106 up to	1			BI1301 100	M			
		N105801106 for model M96.28SM/C2								
9	169–033	Flat gasket 3/4"	9	BI1001 108			M			

CONTINUATION SHEET

Sheet 2 of 13

Appliance number(s) 47-583-05, 47-583-06, 47-583-07

(a)	(b)	(c)	(d)	(e)	(f)	(g)	(h)	(i)	(j)	(k)
Key no.	GC Part Number	Description	No. Off	Makers part number which have a CG number	Maker's old part number which have since been changed	Maker's new part number which DO NOT have a GC number	M B F	Original Supplier	Original Supplier part number	Retail price excl. VAT
10	E23-757	Toothed lock washer external 6,4 mm up to serial no. N103771105 and from N105801107 for model M96.28SM/C2	2	BI1001 124			F			
11	E00-670	Screw M6x8 – BZP RPH up to serial no. N103771105 and from N105801107 for model M96.28SM/C2	2	BI1001 123			F			
12	169-141	Gasket 1/2"	3	BI1001 106			M			
13	E83-018	Flow limiter 10 Litres/min up to serial no. N103771105 and from N105801107 for model M96.28SM/C2	1	BI1091 102			B	Acqua Flow		
13 A	E83-019	Flow limiter 12 Litres/min up to serial no. N103771105 and from N105801107 for model M96.28SM/C2	1	BI1091 103			B	Acqua Flow		
14	H32-550	Magnetic flow switch and filter kit up to serial no. N103771105 and from N105801107 for model M96.28SM/C2	1	BI1271 501			M			
		Magnetic flow switch and filter kit from serial no. N103771106 up to N105801106 for model M96.28SM/C2	1			BI1181 500	M			
15	H32-551	D.h.w. flow switch up to serial no. N103771105 and from N105801107 for model M96.28SM/C2	1	BI1271 101			M			
		D.h.w. flow switch from serial no. N103771106 up to N105801106 for model M96.28SM/C2	1			KI1042 107	M			
16	E01-204	Exchanger DHW – M96.24SM/C2	1	BI1001 101			M			
16 A	E01-205	Exchanger DHW – M96.28SM/C2, M96.32SM/C2	1	BI1001 102			M			
17	E00-668	O-ring gasket 1,78x12,42 by-pass pipe	2	BI1001 115			M			
18	H32-554	By-pass pipe up to serial no. N103771105 and from N105801107 for model M96.28SM/C2	1	BI1271 100			M			

CONTINUATION SHEET

Sheet 3 of 13

Appliance number(s) 47-583-05, 47-583-06, 47-583-07

(a)	(b)	(c)	(d)	(e)	(f)	(g)	(h)	(i)	(j)	(k)
Key no.	GC Part Number	Description	No. Off	Makers part number which have a CG number	Maker's old part number which have since been changed	Maker's new part number which DO NOT have a GC number	M B F	Original Supplier	Original Supplier part number	Retail price excl. VAT
		By-pass pipe from serial no. N103771106 up to N105801106 for model M96.28SM/C2	1			BI1301 101	M			
19	169-060	O-ring gasket 18,64x3,53	4	KI1043 144			M			
20	E00-672	By-pass pipe fixing fork up to serial no. N103771105 and from N105801107 for model M96.28SM/C2	2	BI1001 111			M			
21	E00-676	O-ring gasket 1,78x14 up to serial no. N103771105 and from N105801107 for model M96.28SM/C2	1	BI1001 129			M			
22	E83-086	Diverter valve actuator up to serial no. N103771105 and from N105801107 for model M96.28SM/C2	1	BI1101 102			B	Elbi International SpA Collegno italy	1650/6/0	
		Diverter valve actuator from serial no. N103771106 up to N105801106 for model M96.28SM/C2	1			BI1291 109	B			
23	E83-090	Diverter valve actuator fixing spring up to serial no. N103771105 and from N105801107 for model M96.28SM/C2	1	BI1101 101			M			
		Diverter valve actuator fixing spring from serial no. N103771106 up to N105801106 for model M96.28SM/C2	1			BI1291 110	M			
24	E83-091	Diverter valve kit up to serial no. N103771105 and from N105801107 for model M96.28SM/C2	1	BI1141 501			M			
25	E00-680	O-ring gasket 2,62x23,47	4	BI1011 107			M			
26	E83-092	O-ring gasket 2,7x13,6 up to serial no. N103771105 and from N105801107 for model M96.28SM/C2	2	BI1011 117			M			
27	H32-555	Flow group kit M96.24SM/C2, M96.28SM/C2, M96.32SM/C2 up to serial no. N103771105 and from N105801107 for model M96.28SM/C2	1	BI1251 501			M			

CONTINUATION SHEET

Sheet 4 of 13

Appliance number(s) 47-583-05, 47-583-06, 47-583-07

(a)	(b)	(c)	(d)	(e)	(f)	(g)	(h)	(i)	(j)	(k)
Key no.	GC Part Number	Description	No. Off	Makers part number which have a CG number	Maker's old part number which have since been changed	Maker's new part number which DO NOT have a GC number	M B F	Original Supplier	Original Supplier part number	Retail price excl. VAT
		Flow group kit from serial no. N103771106 up to N105801106 for model M96.28SM/C2	1			BI1291 113	M			
28	H23-733	O-ring gasket 9,25x1,78 (NTC) up to serial no. N103771105 and from N105801107 for model M96.28SM/C2	2	KI1001 128			M			
29	164-026	Temperature probe (special) up to serial no. N103771105 and from N105801107 for model M96.28SM/C2 Temperature probe (special) from serial no. N103771106 up to N105801106 for model M96.28SM/C2	2	BI1001 117		KI1042 501	M			
30	E00-688	Central heating pressure switch membrane up to serial no. N103771105 and from N105801107 for model M96.28SM/C2	1	BI1011 103			M			
		Central heating pressure switch membranefrom serial no. N103771106 up to N105801106 for model M96.28SM/C2	1			BI1291 500	M			
31	E00-687	Central heating pressure switch disk up to serial no. N103771105 and from N105801107 for model M96.28SM/C2	1	BI1011 111			M			
32	E00-686	Central heating pressure switch spring up to serial no. N103771105 and from N105801107 for model M96.28SM/C2	1	BI1011 110			M			
33	E00-685	Screw M4x12 mm Stainless steel SCH up to serial no. N103771105 and from N105801107 for model M96.28SM/C2	4	BI1011 109			F			
34	E00-681	Microswitch guide bush up to serial no. N103771105 and from N105801107 for model M96.28SM/C2	1	BI1011 502			M			

CONTINUATION SHEET

Sheet 5 of 13

Appliance number(s) 47-583-05, 47-583-06, 47-583-07

(a) Key no.	(b) GC Part Number	(c) Description	(d) No. Off	(e) Makers part number which have a CG number	(f) Maker's old part number which have since been changed	(g) Maker's new part number which DO NOT have a GC number	(h) M B F	(i) Original Supplier	(j) Original Supplier part number	(k) Retail price excl. VAT
35	E00-684	Microswitch kit up to serial no. N103771105 and from N105801107 for model M96.28SM/C2	1	BI1011 505			M			
		Microswitch kit from serial no. N103771106 up to N105801106 for model M96.28SM/C2	1			BI1291 107	M			
36	E00-683	Microswitch box fixing clip up to serial no. N103771105 and from N105801107 for model M96.28SM/C2	1	BI1011 105			M			
37	E00-682	Screw 2,9x13 mm AB self tapping BZP - RCH up to serial no. N103771105 and from N105801107 for model M96.28SM/C2	3	BI1011 108			F			
38	H20-966	By-pass kit up to serial no. N103771105 and from N105801107 for model M96.28SM/C2	1	BI1141 505			M			
		By-pass kit from serial no. N103771106 up to N105801106 for model M96.28SM/C2	1			BI1291 501	M			
40	H07-112	Condensing heat exchanger	1	BI1262 122			M			
41	H20-970	O-ring gasket 2,62x17.86	3	BI1262 112			M			
42	E83-108	Condensing heat exchanger connection clip	3	BI1172 101			M			
43	H20-972	Connection spring	2	BI1262 117			F			
44	H20-977	Condensing heat exchanger inlet pipe - upper	1	BI1262 109						
45	169-104	Grommet	4	BI1002 113			M			
46	H20-980	Condensate discharge pipe	1	BI1262 110			M			
47	H20-981	O-ring gasket 1,9X16	2	BI1262 114			M			
48	H20-982	Condensing heat exchanger inlet pipe - lower	1	BI1262 108			M			
49	H20-984	Main exchanger M96.24SM/C2,	1	BI1262 101			M			
49 A	H20-985	Main exchanger M96.28SM/C2, M96.28SR/C2	1	BI1262 102			M			
49 B		Main exchanger M96.32SM/C2	1			BI1262 130	M			

CONTINUATION SHEET

Sheet 6 of 13

Appliance number(s) 47-583-05, 47-583-06, 47-583-07

(a)	(b)	(c)	(d)	(e)	(f)	(g)	(h)	(i)	(j)	(k)
Key no.	GC Part Number	Description	No. Off	Makers part number which have a CG number	Maker's old part number which have since been changed	Maker's new part number which DO NOT have a GC number	M B F	Original Supplier	Original Supplier part number	Retail price excl. VAT
50	E94-723	Overheat thermostat fixing clip	1	BI1182 100			M			
51	E83-101	Overheat thermostat	1	BI1172 105			B	Elth	261 105°C	
52	169-025	O-ring gasket 17,04x3,53	1	KI1043 114			M			
53	E94-737	Main exchanger connection clip	1	BI1182 106			M			
54	H20-986	Automatic air purger valve	1	BI1212 107			M			
55	H20-987	Pump connection fork	1	BI1262 116			M			
56	H20-989	Condensate trap	1	BI1262 118			M			
57	H20-990	Fork	1	BI1262 120			M			
58	169-015	Fork	1	KI1042 101			M			
59	169-040	Fork	1	KI1042 115			M			
60	H20-992	Screw 5X16	2	BI1262 115			F			
61	H20-993	Pump (complete) up to serial no. N103771105 and from N105801107 for model M96.28SM/C2	1	BI1262 103			M	Wilo	NFSL12/6-1 HE CRF9-S 82W	
61	H20-993	Pump (complete) from serial no. N103771106 up to N105801106 for model M96.28SM/C2	1				M			
62	H20-994	Pump (motor)	1	BI1262 119			B			
63	E83-114	Pump gasket	1	BI1172 113			M			
64	H20-995	Main exchanger outlet pipe M96.24SM/C2, M96.28SM/C2, M96.32SM/C2 up to serial no. N103771105 and from N105801107 for model M96.28SM/C2	1	BI1262 106			M			
		Main exchanger outlet pipe from serial no. N103771106 up to N105801106 for model M96.28SM/C2	1				M			
65	169-045	Probe holder	1	BI1105 108			M			
66	H20-996	O-ring gasket 2,62X9,92	1	BI1262 113			M			

CONTINUATION SHEET

Sheet 7 of 13

Appliance number(s) 47-583-05, 47-583-06, 47-583-07

(a)	(b)	(c)	(d)	(e)	(f)	(g)	(h)	(i)	(j)	(k)
Key no.	GC Part Number	Description	No. Off	Makers part number which have a CG number	Maker's old part number which have since been changed	Maker's new part number which DO NOT have a GC number	M B F	Original Supplier	Original Supplier part number	Retail price excl. VAT
67	H20-997	Expansion vessel connection pipe up to serial no. N103771105 and from N105801107 for model M96.28SM/C2	1	BI1262 105			M			
		Expansion vessel connection pipe from serial no. N103771106 up to N105801106 for model M96.28SM/C2	1			BI1212 111	M			
68	H03-727	Flat gasket 3/8" O.D 15 mm, i.d. 8.5 mm	2	BI1202 105			M			
69	E83-121	Expansion vessel	1	BI1172 103			B	CIMM Srl - Castello di Godego Italy Zilmet - Italy (alternative)	CP387 6L 13C0000600	
70	H27-566	Condensing heat exchanger outlet pipe	1	BI1262 107			M			
71	169-069	Injectors with gaskets 130 - NG	14	KI1064 505			B	Polidoro		
71 A	E01-156	Injectors with gaskets 75 - LPG	14	BI1003 509			B	Polidoro		
72	173-148	Burner M96.24SM/C2	1	KI1004 102			B	Polidoro		
72 A	173-149	Burner M96.28SM/C2, M96.28SR/C2, M96.32SM/C2	1	KI1004 147			B	Polidoro		
73	E83-122	Detection electrode	1	BI1123 102			M			
74	E83-126	Ignition electrode - right	1	BI1123 103			M			
75	E83-127	Ignition electrode - left	1	BI1123 101			M			
76	169-125	Grommet	1	BI1002 115			M			
77	409-736	Tapping screw 3,5x9,5 recessed pan head	28	BI1013 115			F			
78	409-531	Taptite screw M4x8 Recessed pan head Hardened steel Bright Zinc Plated BS3382 Clear passivated and lanolin Dipped	4	BI1013 111			F			
79	H32-602	Gas valve	1	BI1243 100			B	Honeywell	VK4105M	
80	H32-558	Gas pipe to the manifold	1	BI1243 101			M			

CONTINUATION SHEET

Sheet 8 of 13

Appliance number(s) 47-583-05, 47-583-06, 47-583-07

(a)	(b)	(c)	(d)	(e)	(f)	(g)	(h)	(i)	(j)	(k)
Key no.	GC Part Number	Description	No. Off	Makers part number which have a CG number	Maker's old part number which have since been changed	Maker's new part number which DO NOT have a GC number	M B F	Original Supplier	Original Supplier part number	Retail price excl. VAT
81	409-722	Tapping Screw ISO No8 B 4,2x9,5 Recessed Pan Head	83	BI1013 110			F			
		Hardened Steel BS4174 Bright Zinc plate BS1706 Clear								
		Passivated								
82	E83-131	Gas manifold with injectors NG M96.24SM/C2	1	BI1183 103			B	Polidoro		
82 A	H21-021	Gas manifold with injectors LPG M96.24SM/C2	1	BI1213 101			B	Polidoro		
82 B	E83-133	Gas manifold with injectors NG M96.28SM/C2,	1	BI1183 105			B	Polidoro		
		M96.28SR/C2, M96.32SM/C2								
82 C	H21-023	Gas manifold with injectors LPG M96.28SM/C2,	1	BI1213 102			B	Polidoro		
		M96.28SR/C2, M96.32SM/C2								
83	H21-025	C.h. connection pipe	2	BI1124 100			M			
84	E83-136	Tap 3/4" - c.h.	2	BI1084 105			B			
85	E83-137	Tap 1/2" - d.h.w.	1	BI1084 101			B			
86	E83-138	Tap 3/4" - gas	1	BI1084 100			B			
87	E01-226	Nut 1/2"	2	BI1004 101			M			
88	H21-027	Pipe 15 mm dia (bent) d.h.w.	1	BI1124 102			M			
89	E05-387	Pipe 22 mm dia gas	1	BI1014 112			M			
		(replacement for discontinued BI1124 101)								
90	H21-030	Pipe 15 mm dia (straight) d.h.w.	1	BI1124 103			M			
91	E83-144	O-ring gasket 1,78 x 6,75	1	BI1475 119			M			
92	E83-145	Temperature-pressure gauge	1	BI1475 108			M			
93		Cover panel	1			BI1605 108	M			
94	E94-738	Time switch	1	BI1525 101			B	Flash	Monotron 200 23011	
95	H27-577	Knob	2	BI1605 106			M			
96	E83-149	Shaft	2	BI1475 105			M			
97	E83-150	Control panel plug	1	BI1475 110			M			

CONTINUATION SHEET

Sheet 9 of 13

Appliance number(s) 47-583-05, 47-583-06, 47-583-07

(a)	(b)	(c)	(d)	(e)	(f)	(g)	(h)	(i)	(j)	(k)
Key no.	GC Part Number	Description	No. Off	Makers part number which have a CG number	Maker's old part number which have since been changed	Maker's new part number which DO NOT have a GC number	M B F	Original Supplier	Original Supplier part number	Retail price excl. VAT
98	H27-578	Hinge plugs (couple)	1	BI1605 107			M			
99		Control panel box M96.24SM/C2, M96.28SM/C2, M96.32SM/C2	1			BI1715 103	M			
100	E83-152	Cable holder Replacement for discontinued KI1066 102	10	KI1066 208			B	Fastpoint S.r.l.	1207.BB01 XS	
101	E83-153	Terminal block	2	BI1475 109			B	Elettrogibi Odoardo Korner (alternative)	PA27 OK-433-FV	
102	409-727	Screw 3,5x16 mm self tap RPH	4	BI1165 101			F			
103	H44-169	Electronic control – ignition p.c.b. (Replacement for discontinued BI1715 100)	1	BI1715 105			M			
104	H44-170	Fuse 3,15AF	2	BI1295 108			B			
105	E83-155	Service panel cover	1	BI1475 111			M			
106	H21-038	Control panel cover	1	BI1605 101			M			
107	H21-039	External controls cover	1	BI1605 102			M			
108	409-902	Screw 3,5X9,5 mm self tap RPH stainless steel	2	BI1615 104			F			
109		Fan cable	1			BI1765 100	M			
110	H21-042	Detection to trap wiring	1	BI1615 101			M			
111	H21-043	Trap to earth wiring	1	BI1615 102			M			
112	H32-568	Flame detection electrode cable	1	BI1765 101			M			
113	H32-570	Ignition electrode cable	2	BI1765 102			M			
114	H32-571	Pump-diverter valve-gas valve cable	1	BI1765 103			M			
115	E83-163	Time switch cable	1	BI1485 111			M			
116	H32-574	Flow switches, temp. probes and modulator cable	1	BI1765 105			M			
117	H39-041	Power supply and external control cable	1	BI1675 106			M			

CONTINUATION SHEET

Sheet 10 of 13

Appliance number(s) 47-583-05, 47-583-06, 47-583-07

(a)	(b)	(c)	(d)	(e)	(f)	(g)	(h)	(i)	(j)	(k)
Key no.	GC Part Number	Description	No. Off	Makers part number which have a CG number	Maker's old part number which have since been changed	Maker's new part number which DO NOT have a GC number	M B F	Original Supplier	Original Supplier part number	Retail price excl. VAT
118	402-225	Machine Screw M5x10 Recessed Pan Head Mild steel	1	BI1035 109			F			
		BS4183 Bright zinc plate BS3382 Clear Passivated								
119	164-133	Toothed lock washer external 5,3x10 mm stainless	2	BI1035 110			F			
120	404-609	Full nut M5 Hexagon Steel grade 8 BS3692 Bright zinc	1	BI1035 111			F			
		plate BS3382 clear passivated								
121	H32-583	Earth wiring	1	BI1765 108			M			
122	169-110	Flue pipe gasket	1	BI1016 104			M			
123	H21-045	Flue outlet gasket	1	BI1406 112			M			
124	169-127	Air pressure switch M96.24SM/C2, M96.32SM/C2	1	KI1267 103			B	Yamatake-Honeywell	C6065 0,88 mbar	
124 A	H08-605	Air pressure switch M96.28SM/C2, M96.28SR/C2	1	BI1376 104			B	Yamatake-Honeywell	C6065 1,38 mbar	
		(replacement for discontinued BI1406 102)								
125	E83-188	Venturi device tube	1	BI1256 101			M			
126	H21-047	Fan outlet gasket	1	BI1406 113			M			
127	H21-048	Fan M96.24SM/C2	1	BI1406 100			B	FIME	GR 02445 47W	
127 A	H21-049	Fan M96.28SM/C2, M96.28SR/C2, M96.32SM/C2	1	BI1406 101			B	FIME	GR 02440 60W	
128	H07-876	Flue hood M96.24SM/C2	1	BI1406 121			M			
128 A	H07-877	Flue hood M96.28SM/C2, M96.28SR/C2, M96.32SM/C2	1	BI1406 122			M			
129	H21-052	Side case panel	2	BI1406 106			M			
130	H21-054	Air deflector - right	1	BI1406 114			M			
131	E83-178	Combustion chamber side panel	2	BI1326 100			M			
132	H07-879	Combustion chamber front panel M96.24SM/C2	1	BI1406 118			M			
132 A	H07-881	Combustion chamber front panel M96.28SM/C2, M96.28SR/C2, M96.32SM/C2	1	BI1406 119			M			
133		Front case panel	1			BI1416 102	M			
134	E69-243	Window (glass + rubber frame)	1	BI1206 118			M			

CONTINUATION SHEET

Sheet 11 of 13

Appliance number(s) 47-583-05, 47-583-06, 47-583-07

(a)	(b)	(c)	(d)	(e)	(f)	(g)	(h)	(i)	(j)	(k)
Key no.	GC Part Number	Description	No. Off	Makers part number which have a CG number	Maker's old part number which have since been changed	Maker's new part number which DO NOT have a GC number	M B F	Original Supplier	Original Supplier part number	Retail price excl. VAT
135	409-747	Screw 4,8x13 mm AB self tapping RPH BZP	4	BI1336 114			F			
136	H21-059	Sealed chamber lid	1	BI1406 105			M			
137	H21-060	Sealed chamber gaskets kit	1	BI1406 500			M			
138	E83-180	Combustion chamber rear panel M96.24SM/C2	1	BI1326 107			M			
138 A	E83-181	Combustion chamber rear panel M96.28SM/C2,	1	BI1326 108			M			
		M96.28SR/C2, M96.32SM/C2								
139	H07-883	Fan holder bracket	1	BI1406 120			M			
140	H21-063	Fan inlet gasket	1	BI1406 111			M			
141	H03-695	Venturi	1	BI1366 100			M			
142	E01-187	Flue pressure switch tube	1	BI1016 107			M			
143	E05-424	Air switch pressure test point	2	BI1036 101			M			
144	H21-070	Air restrictor d. 50	1	BI1406 115			M			
144 A	H21-071	Air restrictor d. 55	1	BI1406 116			M			
145	E01-184	Gasket - Air intake twin kit	1	BI1016 101			M			
146	E01-157	Screw self tapping 3,9x9,5 mm type AB Recessed Pan	2	BI1013 112			F			
		Head Bright Zinc Plated								
147		4 poles terminal block	1			BI1665 102	B	Odoardo Korner	OK 433-PLP-SPF	
148	410-068	Screw self tapping 3,5x19 mm RPH BZP	1	KI1008 203			F			
149		Flue temperature probe NTC	1			BI1342 100	M			
150		O-ring 2,62 X 17,13	5			BI1181 112				
151		Flue pipe connection d.h.w	2			BI1181 115				
152		Flue pipe connection c.h.	2			BI1181 114				
153		Reed fixing clip	1			BI1181 116				
154		Fork	4			BI1181 107				
155		O-ring 1,78 X 10,82	1			BI1181 110				

CONTINUATION SHEET

Sheet 12 of 13

Appliance number(s) 47-583-05, 47-583-06, 47-583-07

(a)	(b)	(c)	(d)	(e)	(f)	(g)	(h)	(i)	(j)	(k)
Key no.	GC Part Number	Description	No. Off	Makers part number which have a CG number	Maker's old part number which have since been changed	Maker's new part number which DO NOT have a GC number	M B F	Original Supplier	Original Supplier part number	Retail price excl. VAT
156		Fork	3			BI1181 105				
157		Return group plug	1			BI1181 117				
158		Fork	1			BI1181 103				
159		Fork	1			BI1181 101				
160		O-ring 2,62 X 15,08	1			BI1181 102				
161		Return group plug NTC	1			BI1181 104				
162	E00-668	O-ring 1,78 X 12,42	2	BI1001 115						
163		O-ring 2,62 X 18,72	2			BI1181 108				
164		O-ring 1,78 X 7,66	2			BI1182 108				
165		Fork	1			KI1031 101				
166		Pump connection	1			BI1301 102				
167	169-050	O-ring 2,9 X 1,78	1	KI1043 145						
168		O-ring 1,78 X 3,69	1			BI1181 120				
169		O-ring 1,78 X 6,07	1			KI1002 119				
170	E00-680	O-ring 2,62 X 23,47	1	BI1011 107						
171		Float	1			KI1042 106				
172		Filter	1			BI1181 106				
173		Filling group kit	1			BI1181 507				
174	E83-144	gasket OR 2X7	1	BI1475 119						
175		Return group kit	1			BI1301 501				
176		3 way valve motor	1			BI1291 108				
177		Fork	2			BI1291 112				
178		Delivery group plug	1			Bi1291 100				
179	H20-996	O-ring 2,62X9,92	1	BI1262 113						
180		Fork	1			BI1181 109				

DRAFT BRITISH GAS PART LIST

Date _____
 Sheet 1 of 7
 Manufacturer Biasi SpA – Italy
 Appliance(s) , M96.28SR/C2,
 GC Appliance Number(s) , 41–583–02
 Contract Name _____
 Telephone Number _____

(a)	(b)	(c)	(d)	(e)	(f)	(g)	(h)	(i)	(j)	(k)
Key no.	GC Part Number	Description	No. Off	Makers part number which have a CG number	Maker's old part number which have since been changed	Maker's new part number which DO NOT have a GC number	M B F	Original Supplier	Original Supplier part number	Retail price excl. VAT
		Position of data badge: inner side of left case panel								
		Instructions booklets set	1			BI1913 504	M			
1	E83–013	Safety valve 3 bar	1	BI1131 100			B	Watts Intermes – Caldaro Italy	3 bar	
								Orkli (alternative)	3 bar	
2	E23–759	Safety valve connection	1	BI1001 127			M			
3	H05–158	Safety valve connection pipe	1	BI1131 106			M			
4	E00–679	O–ring gasket 1,78x15,6	1	BI1001 131			M			
5	E00–669	Drainage valve	1	BI1011 104			B	Watts Intermes – Caldaro Italy	RSR8 1/4"	
6	H20–945	O–ring gasket 17,04x4,00	5	BI1212 112			M			
8	H06–023	Return group kit M96.28SR/C2	1	BI1171 100			M			
9	169–033	Flat gasket 3/4"	9	BI1001 108			M			
10	E23–757	Toothed lock washer external 6,4 mm	2	BI1001 124			F			
11	E00–670	Screw M6x8 – BZP RPH	2	BI1001 123			F			
17	E00–668	O–ring gasket 1,78x12,42 by–pass pipe	2	BI1001 115			M			
19	169–060	O–ring gasket 18,64x3,53	4	KI1043 144			M			
20	E00–672	By–pass pipe fixing fork	2	BI1001 111			M			
21	E00–676	O–ring gasket 1,78x14	1	BI1001 129			M			
25	E00–680	O–ring gasket 2,62x23,47	3	BI1011 107			M			
27	H27–556	Flow group kit M96.28SR/C2	1	BI1171 103			M			
28	H23–733	O–ring gasket 9,25x1,78 (NTC)	1	KI1001 128			M			
29	164–026	Temperature probe (special)	1	BI1001 117			M			
30	E00–688	Central heating pressure switch membrane	1	BI1011 103			M			
31	E00–687	Central heating pressure switch disk	1	BI1011 111			M			
32	E00–686	Central heating pressure switch spring	1	BI1011 110			M			
33	E00–685	Screw M4x12 mm Stainless steel SCH	4	BI1011 109			F			

CONTINUATION SHEET

Sheet 2 of 7

Appliance number(s) , , 41-583-02

(a)	(b)	(c)	(d)	(e)	(f)	(g)	(h)	(i)	(j)	(k)
Key no.	GC Part Number	Description	No. Off	Makers part number which have a CG number	Maker's old part number which have since been changed	Maker's new part number which DO NOT have a GC number	M B F	Original Supplier	Original Supplier part number	Retail price excl. VAT
34	E00-681	Microswitch guide bush	1	BI1011 502			M			
35	E00-684	Microswitch kit	1	BI1011 505			M			
36	E00-683	Microswitch box fixing clip	1	BI1011 105			M			
37	E00-682	Screw 2,9x13 mm AB self tapping BZP - RCH	3	BI1011 108			F			
38	H20-966	By-pass kit	1	BI1141 505			M			
39	H06-027	By-pass pipe	1	BI1171 102			M			
40	H07-112	Condensing heat exchanger	1	BI1262 122			M			
41	H20-970	O-ring gasket 2,62x17,86	3	BI1262 112			M			
42	E83-108	Condensing heat exchanger connection clip	3	BI1172 101			M			
43	H20-972	Connection spring	2	BI1262 117			F			
44	H20-977	Condensing heat exchanger inlet pipe - upper	1	BI1262 109						
45	169-104	Grommet	4	BI1002 113			M			
46	H20-980	Condensate discharge pipe	1	BI1262 110			M			
47	H20-981	O-ring gasket 1,9X16	2	BI1262 114			M			
48	H20-982	Condensing heat exchanger inlet pipe - lower	1	BI1262 108			M			
49 A	H20-985	Main exchanger M96.28SM/C2, M96.28SR/C2	1	BI1262 102			M			
50	E94-723	Overheat thermostat fixing clip	1	BI1182 100			M			
51	E83-101	Overheat thermostat	1	BI1172 105			B	Elth	261 105°C	
52	169-025	O-ring gasket 17,04x3,53	1	KI1043 114			M			
53	E94-737	Main exchanger connection clip	1	BI1182 106			M			
54	H20-986	Automatic air purger valve	1	BI1212 107			M			
55	H20-987	Pump connection fork	1	BI1262 116			M			
56	H20-989	Condensate trap	1	BI1262 118			M			
57	H20-990	Fork	1	BI1262 120			M			
58	169-015	Fork	1	KI1042 101			M			

CONTINUATION SHEET

Sheet 3 of 7

Appliance number(s) , , 41-583-02

(a)	(b)	(c)	(d)	(e)	(f)	(g)	(h)	(i)	(j)	(k)
Key no.	GC Part Number	Description	No. Off	Makers part number which have a CG number	Maker's old part number which have since been changed	Maker's new part number which DO NOT have a GC number	M B F	Original Supplier	Original Supplier part number	Retail price excl. VAT
59	169-040	Fork	1	KI1042 115			M			
60	H20-992	Screw 5X16	2	BI1262 115			F			
61	H20-993	Pump (complete)	1	BI1262 103			M	Wilo	NFSL12/6-1 HE CRF9-S 82W	
62	H20-994	Pump (motor)	1	BI1262 119			B			
63	E83-114	Pump gasket	1	BI1172 113			M			
64	H27-563	Main exchanger outlet pipe M96.28SR/C2	1	BI1262 121			M			
65	169-045	Probe holder	1	BI1105 108			M			
66	H20-996	O-ring gasket 2,62X9,92	1	BI1262 113			M			
67	H20-997	Expansion vessel connection pipe	1	BI1262 105			M			
68	H03-727	Flat gasket 3/8" O.D 15 mm, i.d. 8.5 mm	2	BI1202 105			M			
69	E83-121	Expansion vessel	1	BI1172 103			B	CIMM Srl - Castello di Godego Italy	CP387 6L	
								Zilmet - Italy (alternative)	13C0000600	
70	H27-566	Condensing heat exchanger outlet pipe	1	BI1262 107			M			
71	169-069	Injectors with gaskets 130 - NG	14	KI1064 505			B	Polidoro		
71 A	E01-156	Injectors with gaskets 75 - LPG	14	BI1003 509			B	Polidoro		
72 A	173-149	Burner M96.28SM/C2, M96.28SR/C2, M96.32SM/C2	1	KI1004 147			B	Polidoro		
73	E83-122	Detection electrode	1	BI1123 102			M			
74	E83-126	Ignition electrode - right	1	BI1123 103			M			
75	E83-127	Ignition electrode - left	1	BI1123 101			M			
76	169-125	Grommet	1	BI1002 115			M			
77	409-736	Tapping screw 3,5x9,5 recessed pan head	28	BI1013 115			F			
78	409-531	Taptite screw M4x8 Recessed pan head Hardened steel	4	BI1013 111			F			
		Bright Zinc Plated BS3382 Clear passivated and lanolin								
		Dipped								
79	H32-602	Gas valve	1	BI1243 100			B	Honeywell	VK4105M	

CONTINUATION SHEET

Sheet 4 of 7

Appliance number(s) , , 41-583-02

(a)	(b)	(c)	(d)	(e)	(f)	(g)	(h)	(i)	(j)	(k)
Key no.	GC Part Number	Description	No. Off	Makers part number which have a CG number	Maker's old part number which have since been changed	Maker's new part number which DO NOT have a GC number	M B F	Original Supplier	Original Supplier part number	Retail price excl. VAT
80	H32-558	Gas pipe to the manifold	1	BI1243 101			M			
81	409-722	Tapping Screw ISO No8 B 4,2x9,5 Recessed Pan Head	83	BI1013 110			F			
		Hardened Steel BS4174 Bright Zinc plate BS1706 Clear								
		Passivated								
82 B	E83-133	Gas manifold with injectors NG M96.28SM/C2,	1	BI1183 105			B	Polidoro		
		M96.28SR/C2, M96.32SM/C2								
82 C	H21-023	Gas manifold with injectors LPG M96.28SM/C2,	1	BI1213 102			B	Polidoro		
		M96.28SR/C2, M96.32SM/C2								
83	H21-025	C.h. connection pipe	2	BI1124 100			M			
84	E83-136	Tap 3/4" - c.h.	2	BI1084 105			B			
86	E83-138	Tap 3/4" - gas	1	BI1084 100			B			
89	E05-387	Pipe 22 mm dia gas	1	BI1014 112			M			
		(replacement for discontinued BI1124 101)								
91	E83-144	O-ring gasket 1,78 x 6,75	1	BI1475 119			M			
92	E83-145	Temperature-pressure gauge	1	BI1475 108			M			
93		Cover panel	1			BI1605 108	M			
95	H27-577	Knob	2	BI1605 106			M			
96	E83-149	Shaft	2	BI1475 105			M			
97	E83-150	Control panel plug	1	BI1475 110			M			
98	H27-578	Hinge plugs (couple)	1	BI1605 107			M			
99		Control panel box M96.28SR/C2	1			BI1715 104	M			
100	E83-152	Cable holder	10	KI1066 208			B	Fastpoint S.r.l.	1207.BB01 XS	
		Replacement for discontinued KI1066 102								
101	E83-153	Terminal block	2	BI1475 109			B	Elettrogibi	PA27	
								Odoardo Korner (alternative)	OK-433-FV	

CONTINUATION SHEET

Sheet 5 of 7

Appliance number(s) , , 41-583-02

(a)	(b)	(c)	(d)	(e)	(f)	(g)	(h)	(i)	(j)	(k)
Key no.	GC Part Number	Description	No. Off	Makers part number which have a CG number	Maker's old part number which have since been changed	Maker's new part number which DO NOT have a GC number	M B F	Original Supplier	Original Supplier part number	Retail price excl. VAT
102	409-727	Screw 3,5x16 mm self tap RPH	4	BI1165 101			F			
103	H44-169	Electronic control – ignition p.c.b. (Replacement for discontinued BI1715 100)	1	BI1715 105			M			
104	H44-170	Fuse 3,15AF	2	BI1295 108			B			
105	E83-155	Service panel cover	1	BI1475 111			M			
106	H21-038	Control panel cover	1	BI1605 101			M			
107	H21-039	External controls cover	1	BI1605 102			M			
108	409-902	Screw 3,5X9,5 mm self tap RPH stainless steel	2	BI1615 104			F			
109		Fan cable	1			BI1765 100	M			
110	H21-042	Detection to trap wiring	1	BI1615 101			M			
111	H21-043	Trap to earth wiring	1	BI1615 102			M			
112	H32-568	Flame detection electrode cable	1	BI1765 101			M			
113	H32-570	Ignition electrode cable	2	BI1765 102			M			
114		Pump-gas valve cable	1			BI1765 104	M			
116		Flow switch, temp. probe and modulator cable	1			BI1765 106	M			
117	H39-041	Power supply and external control cable	1	BI1675 106			M			
118	402-225	Machine Screw M5x10 Recessed Pan Head Mild steel BS4183 Bright zinc plate BS3382 Clear Passivated	1	BI1035 109			F			
119	164-133	Toothed lock washer external 5,3x10 mm stainless	2	BI1035 110			F			
120	404-609	Full nut M5 Hexagon Steel grade 8 BS3692 Bright zinc plate BS3382 clear passivated	1	BI1035 111			F			
121	H32-583	Earth wiring	1	BI1765 108			M			
122	169-110	Flue pipe gasket	1	BI1016 104			M			
123	H21-045	Flue outlet gasket	1	BI1406 112			M			

CONTINUATION SHEET

Sheet 6 of 7

Appliance number(s) , , 41-583-02

(a)	(b)	(c)	(d)	(e)	(f)	(g)	(h)	(i)	(j)	(k)
Key no.	GC Part Number	Description	No. Off	Makers part number which have a CG number	Maker's old part number which have since been changed	Maker's new part number which DO NOT have a GC number	M B F	Original Supplier	Original Supplier part number	Retail price excl. VAT
124 A	H08-605	Air pressure switch M96.28SM/C2, M96.28SR/C2 (replacement for discontinued BI1406 102)	1	BI1376 104			B	Yamatake-Honeywell	C6065 1,38 mbar	
125	E83-188	Venturi device tube	1	BI1256 101			M			
126	H21-047	Fan outlet gasket	1	BI1406 113			M			
127 A	H21-049	Fan M96.28SM/C2, M96.28SR/C2, M96.32SM/C2	1	BI1406 101			B	FIME	GR 02440 60W	
128 A	H07-877	Flue hood M96.28SM/C2, M96.28SR/C2, M96.32SM/C2	1	BI1406 122			M			
129	H21-052	Side case panel	2	BI1406 106			M			
130	H21-054	Air deflector - right	1	BI1406 114			M			
131	E83-178	Combustion chamber side panel	2	BI1326 100			M			
132 A	H07-881	Combustion chamber front panel M96.28SM/C2, M96.28SR/C2, M96.32SM/C2	1	BI1406 119			M			
133		Front case panel	1			BI1416 102	M			
134	E69-243	Window (glass + rubber frame)	1	BI1206 118			M			
135	409-747	Screw 4,8x13 mm AB self tapping RPH BZP	4	BI1336 114			F			
136	H21-059	Sealed chamber lid	1	BI1406 105			M			
137	H21-060	Sealed chamber gaskets kit	1	BI1406 500			M			
138 A	E83-181	Combustion chamber rear panel M96.28SM/C2, M96.28SR/C2, M96.32SM/C2	1	BI1326 108			M			
139	H07-883	Fan holder bracket	1	BI1406 120			M			
140	H21-063	Fan inlet gasket	1	BI1406 111			M			
141	H03-695	Venturi	1	BI1366 100			M			
142	E01-187	Flue pressure switch tube	1	BI1016 107			M			
143	E05-424	Air switch pressure test point	2	BI1036 101			M			
144	H21-070	Air restrictor d. 50	1	BI1406 115			M			
144 A	H21-071	Air restrictor d. 55	1	BI1406 116			M			

