



Spare Parts List

M90D.24S

M90D.28S

M90D.24SR

M90D.28SR

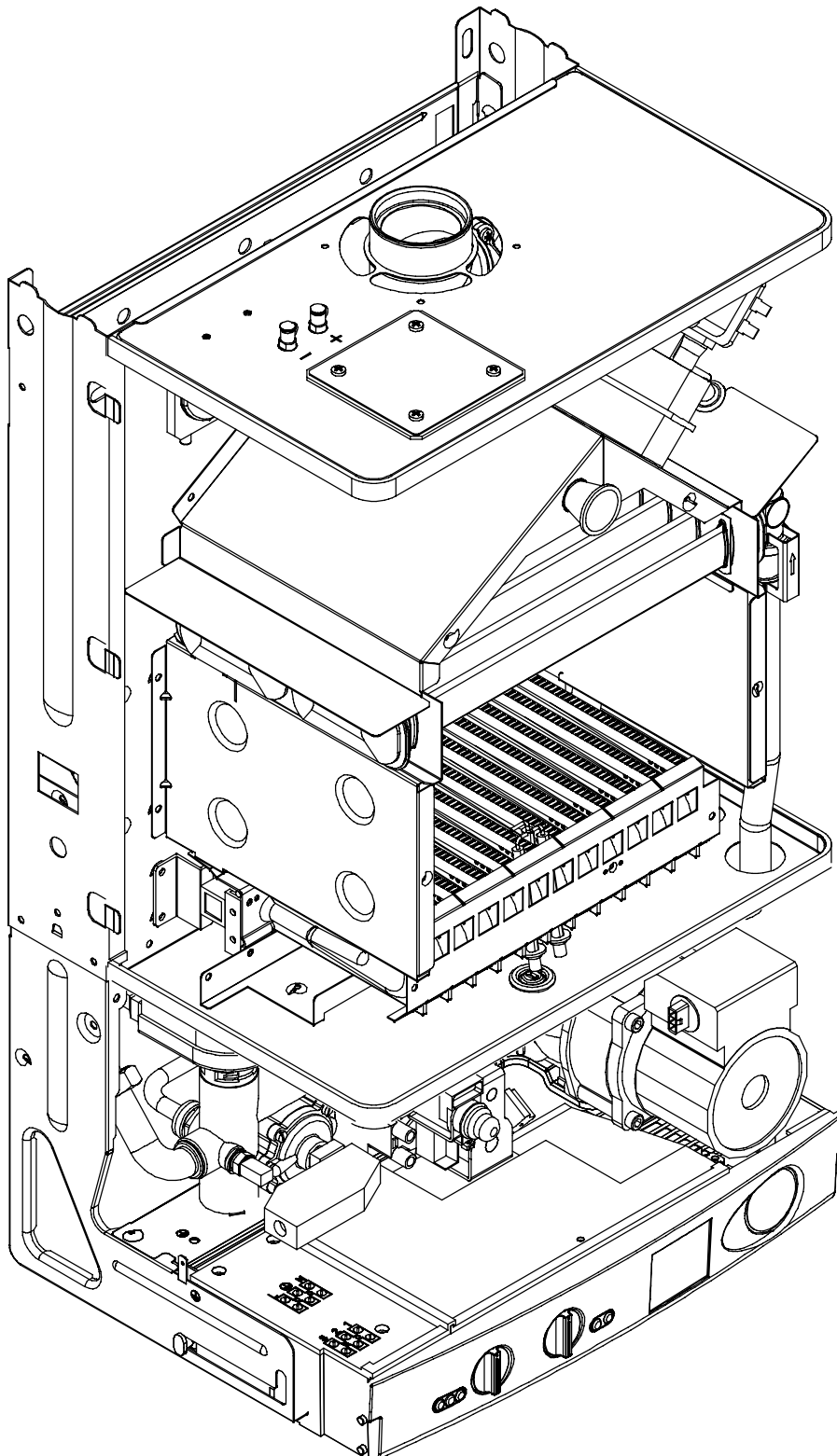
Issue 04/2006

Table description	Issue	n. of pages
Overall view	05/2002	1
C.h. return group and d.h.w. heat exchanger	05/2004	1
C.h. flow group and three way diverter valve	05/2004	1
C.h. flow and return groups up to serial no. N062550703	05/2004	1
C.h. flow and return groups from serial no. N062560703	05/2004	1
Pump and main circuit assembly up to serial no. N062550703 for M90D.24SR, M90D.28SR up to serial no. N024590604 for M90D.24S, M90D.28S	05/2004	1
Pump and main circuit assembly from serial no. N062560703 up to serial no. N024590604 for M90D.24SR, M90D.28SR	05/2004	1
Pump and main circuit assembly, M90D.24S, M90D.28S from serial no. N024600604	05/2004	1
Pump and main circuit assembly, M90D.24SR, M90D.24SR from serial no. N024600604	05/2004	1
Gas assembly	09/2003	1
Valves and connection pipes	05/2002	1
Control panel and ignition device	05/2002	1
Wiring	12/2002	1
Fan, combustion chamber and case panels M90D.24S, M90D.24SR, up to serial no. N237041202 M90D.28S, M90D.28SR up to serial no. N239461202	12/2002	1
Fan, combustion chamber and case panels M90D.24S, M90D.24SR, from serial no. N237051202 M90D.28S, M90D.28SR from serial no. N239471202	06/2003	1
List of parts M90D.24S M90D.28S	04/2006	11
List of parts M90D.24SR M90D.28SR	04/2006	11

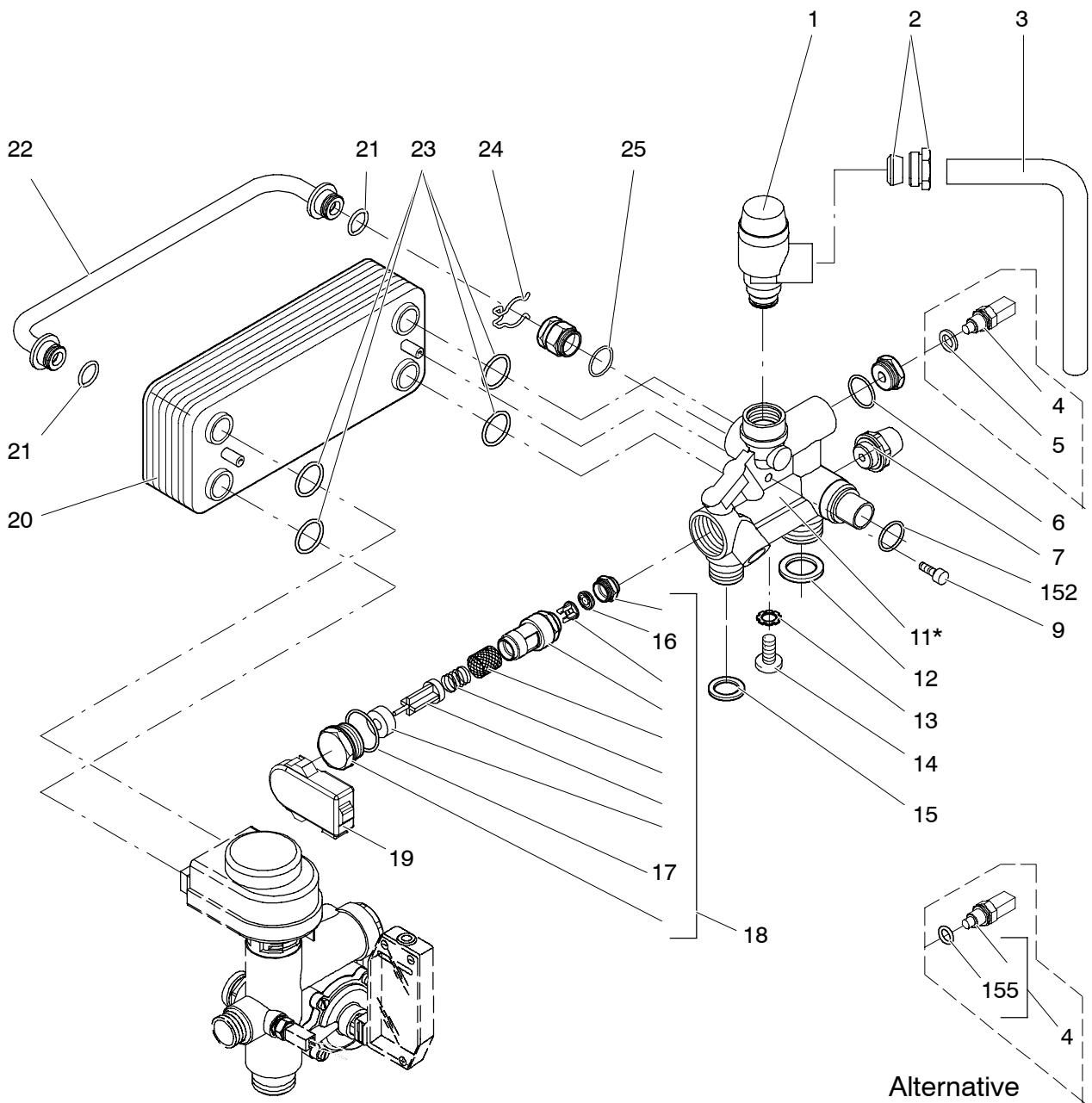
M90D.24S
M90D.28S
M90D.24SR
M90D.28SR

47-970-15
47-970-16
41-970-08
41-970-09

Overall view
DATA BADGE: inner side of left case panel

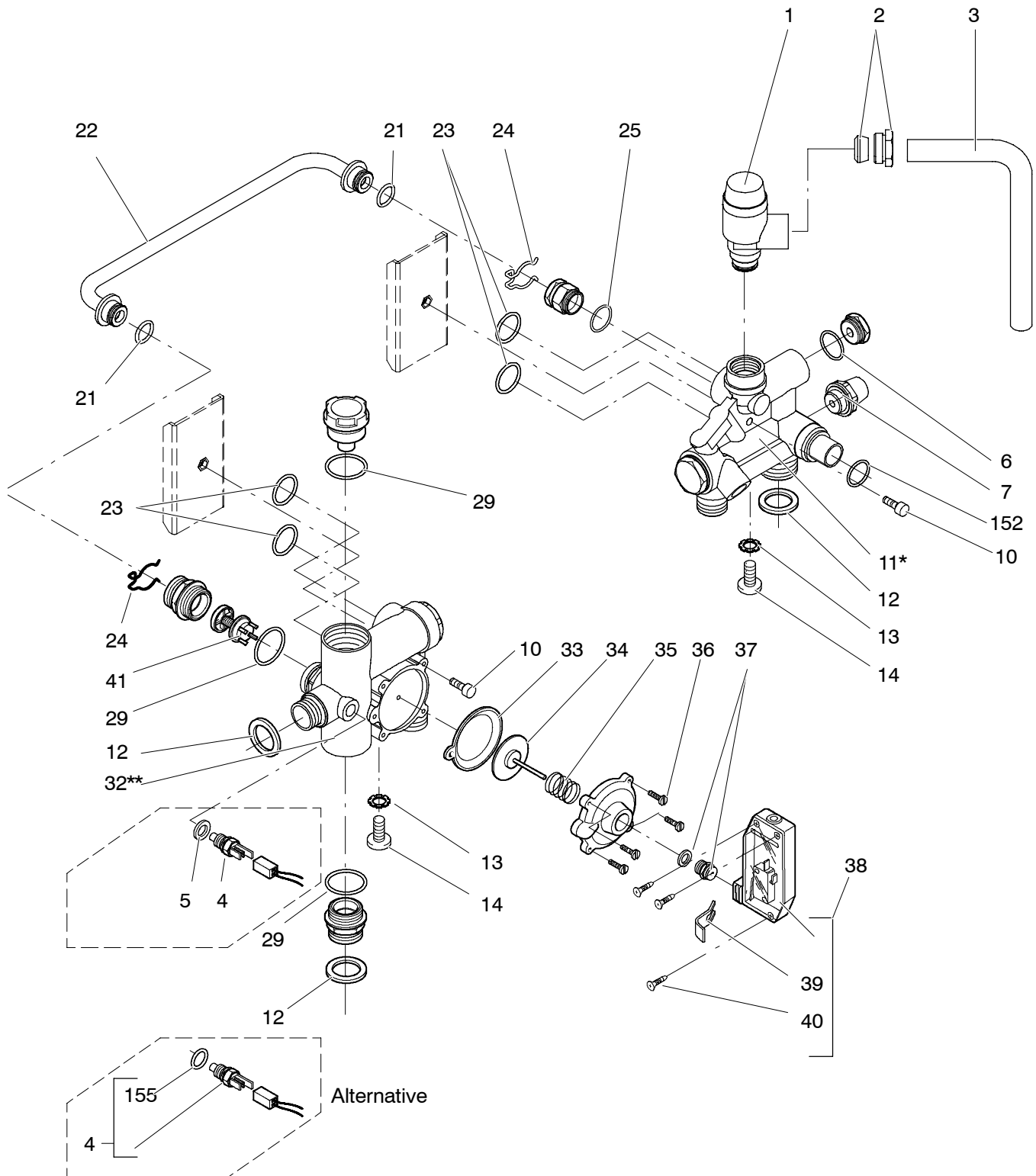


C.h. return group and d.h.w. heat exchanger



* Includes items 6, 18, 25

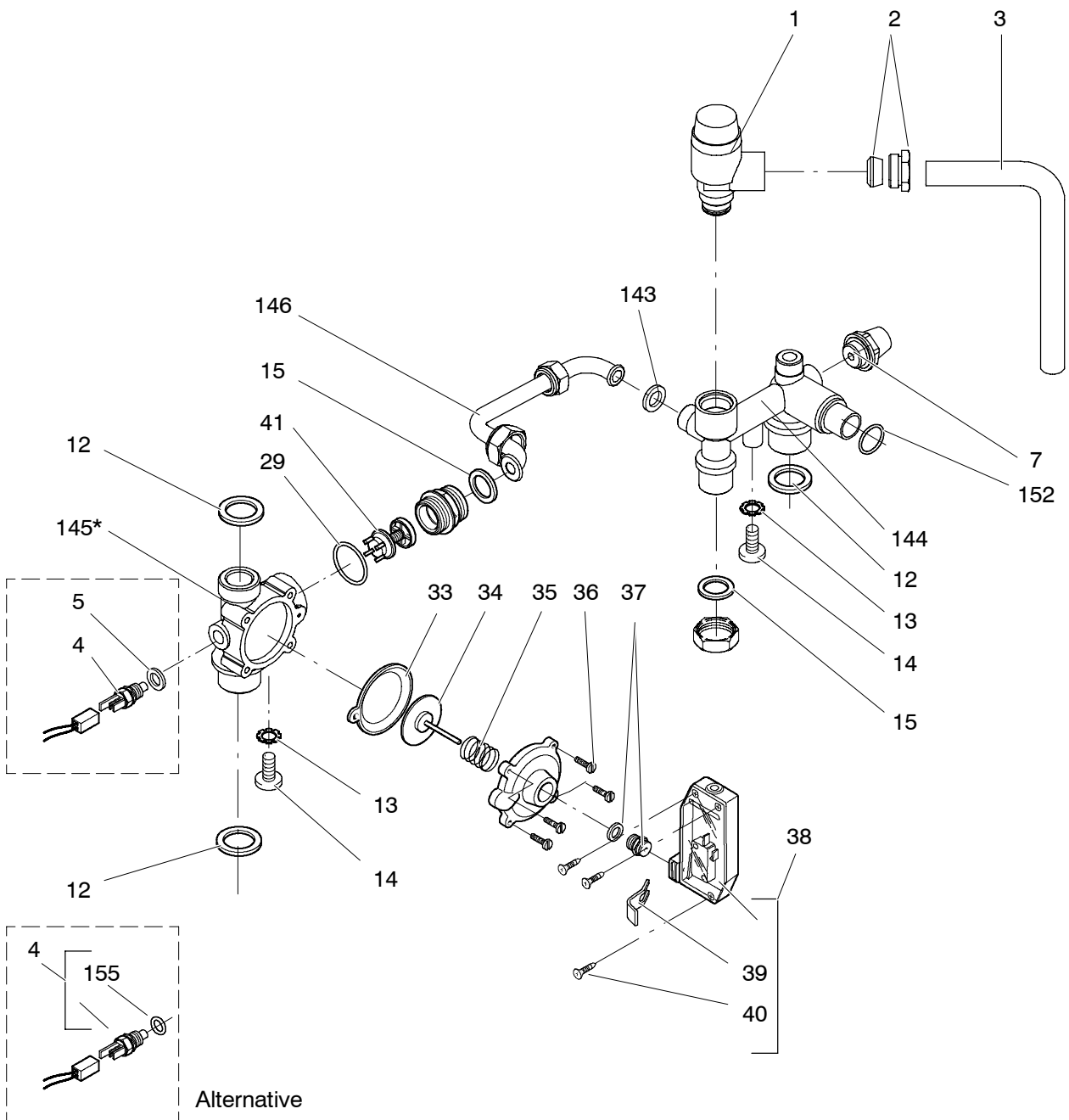
C.h. flow and return groups
up to serial no. N062550703



* Includes items 6, 25

** Includes items 29, 33, 34, 35, 36, 37, 41

C.h. flow and return groups
from serial no. N062560703

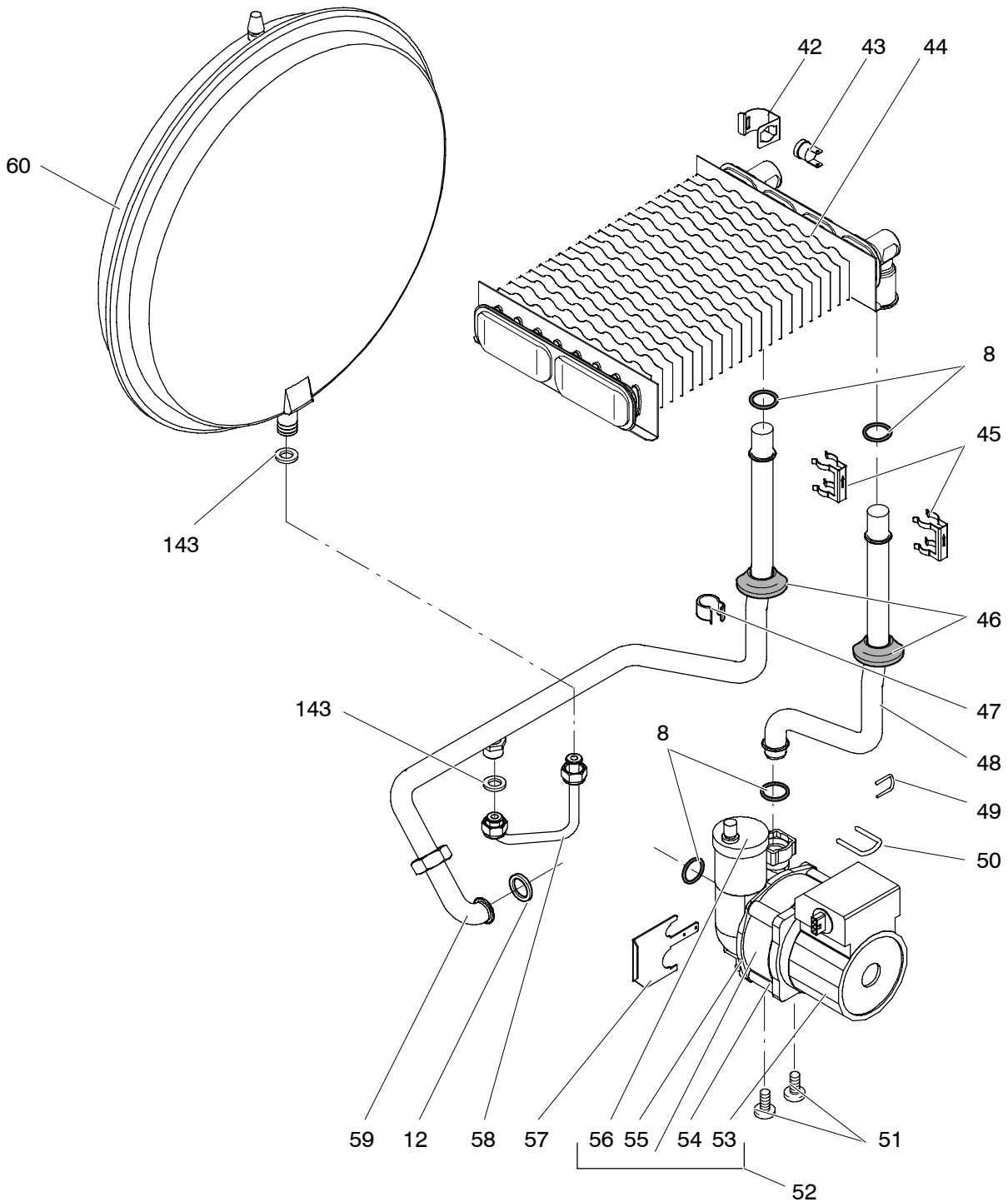


* Includes items 29, 33, 34, 35, 36, 37, 41

M90D.24S up to serial no. N024590604
M90D.28S up to serial no. N024590604
M90D.24SR up to serial no. N062550703
M90D.28SR up to serial no. N062550703

47-970-15
47-970-16
41-970-08
41-970-09

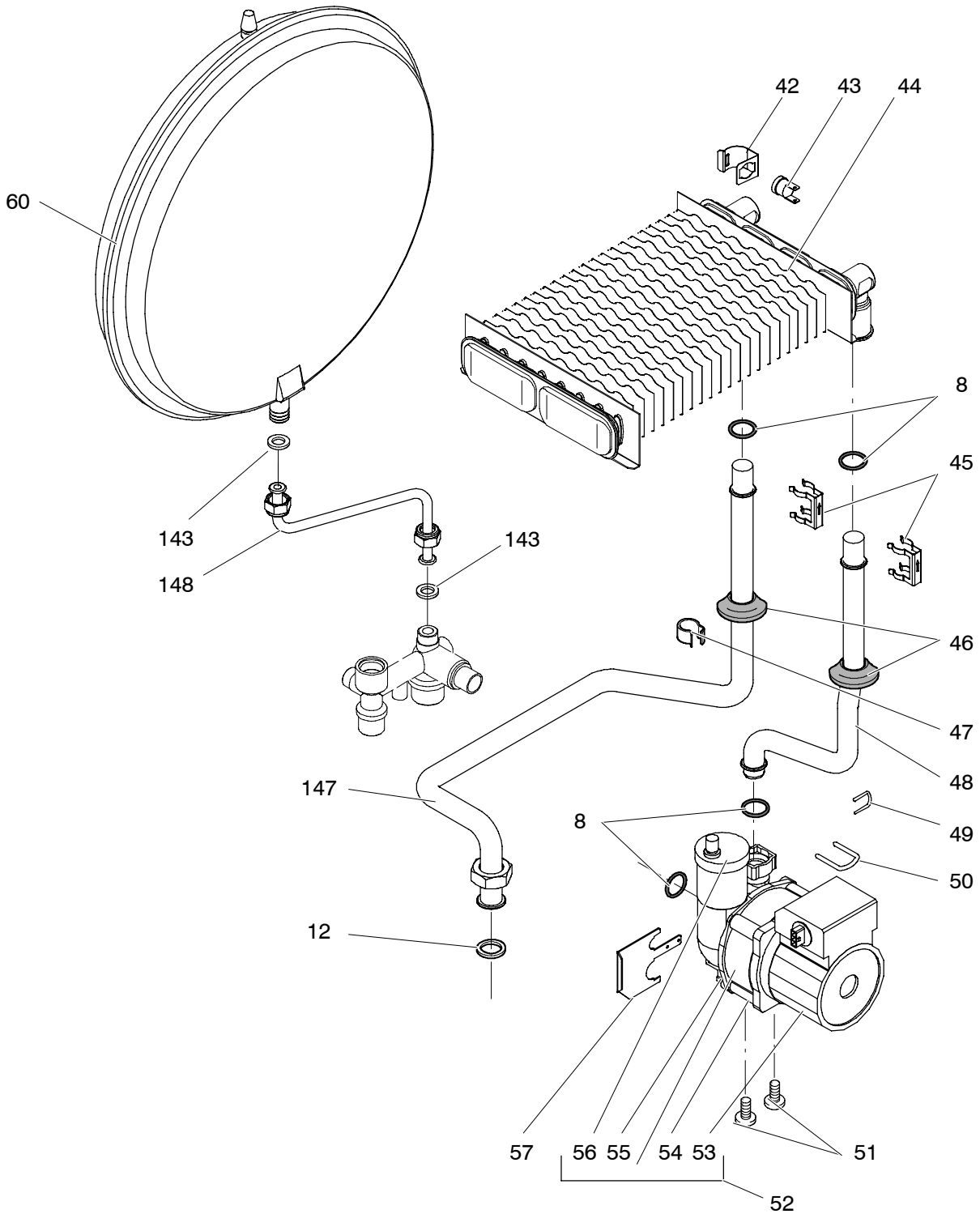
Pump and main circuit assembly



M90D.24SR
M90D.28SR

41-970-08
41-970-09

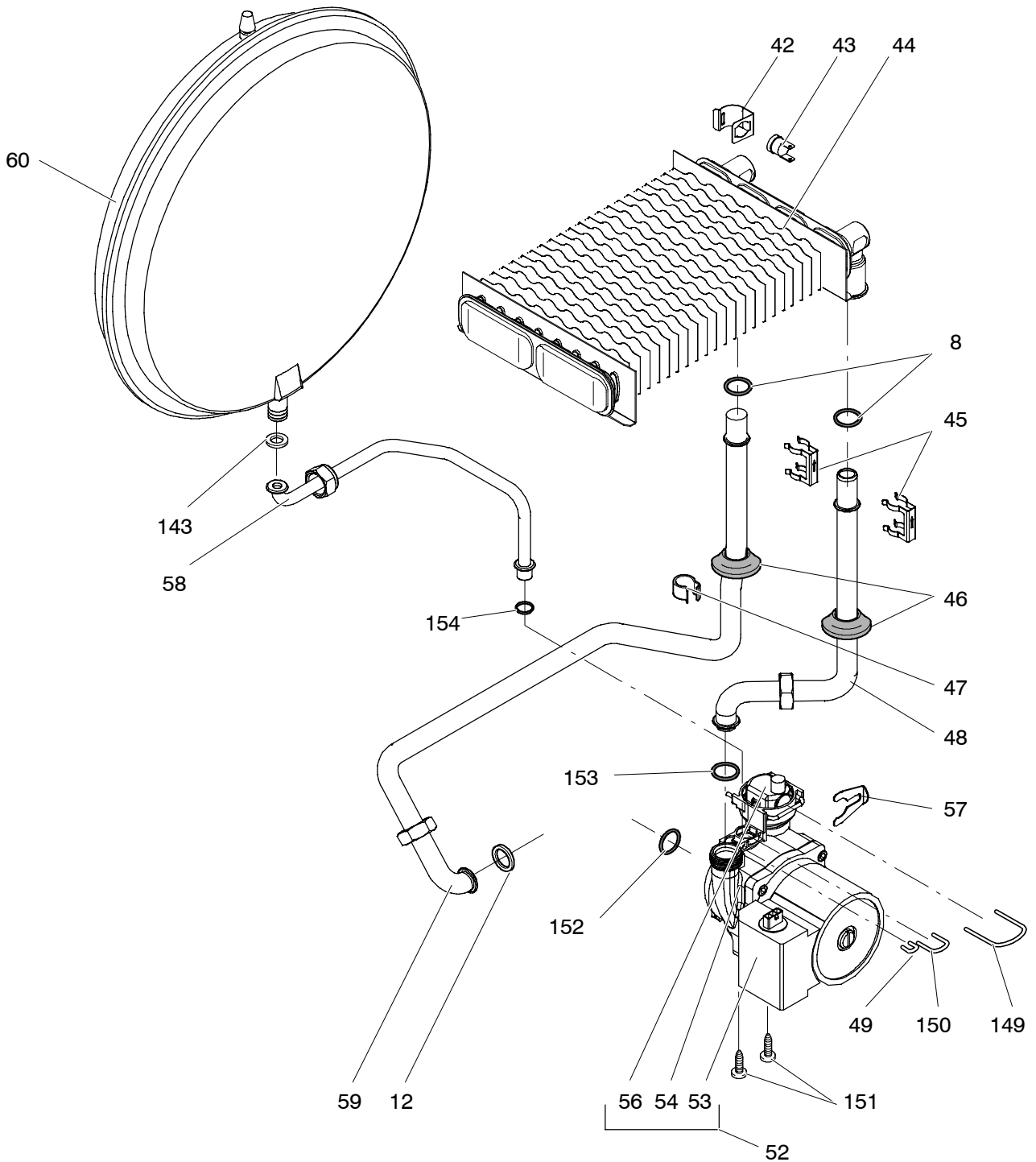
Pump and main circuit assembly
from serial no. N062560703 up to serial no. N024590604



M90D.24S
M90D.28S

47-970-15
47-970-16

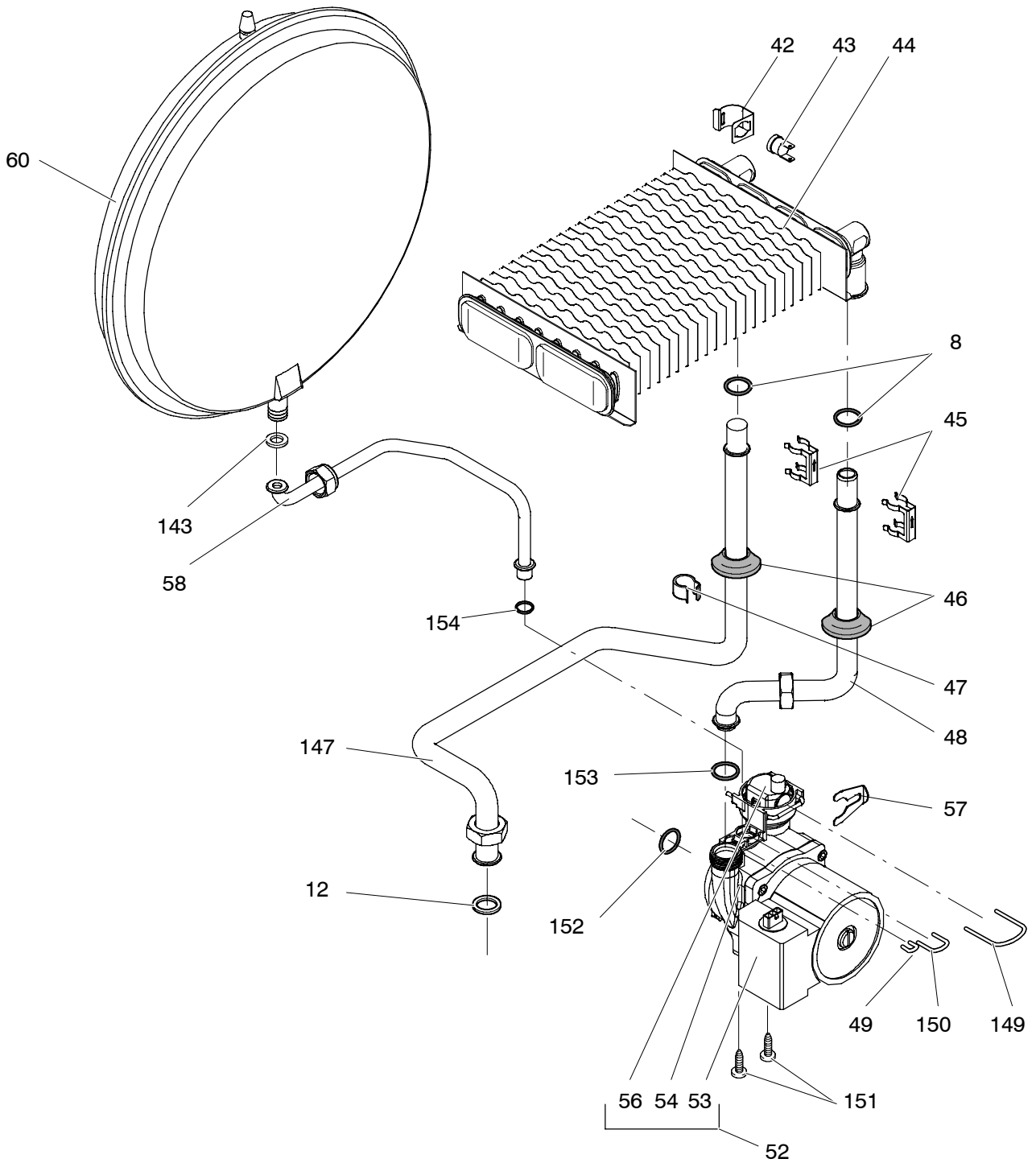
Pump and main circuit assembly
from serial no. N024600604



M90D.24SR
M90D.28SR

41-970-08
41-970-09

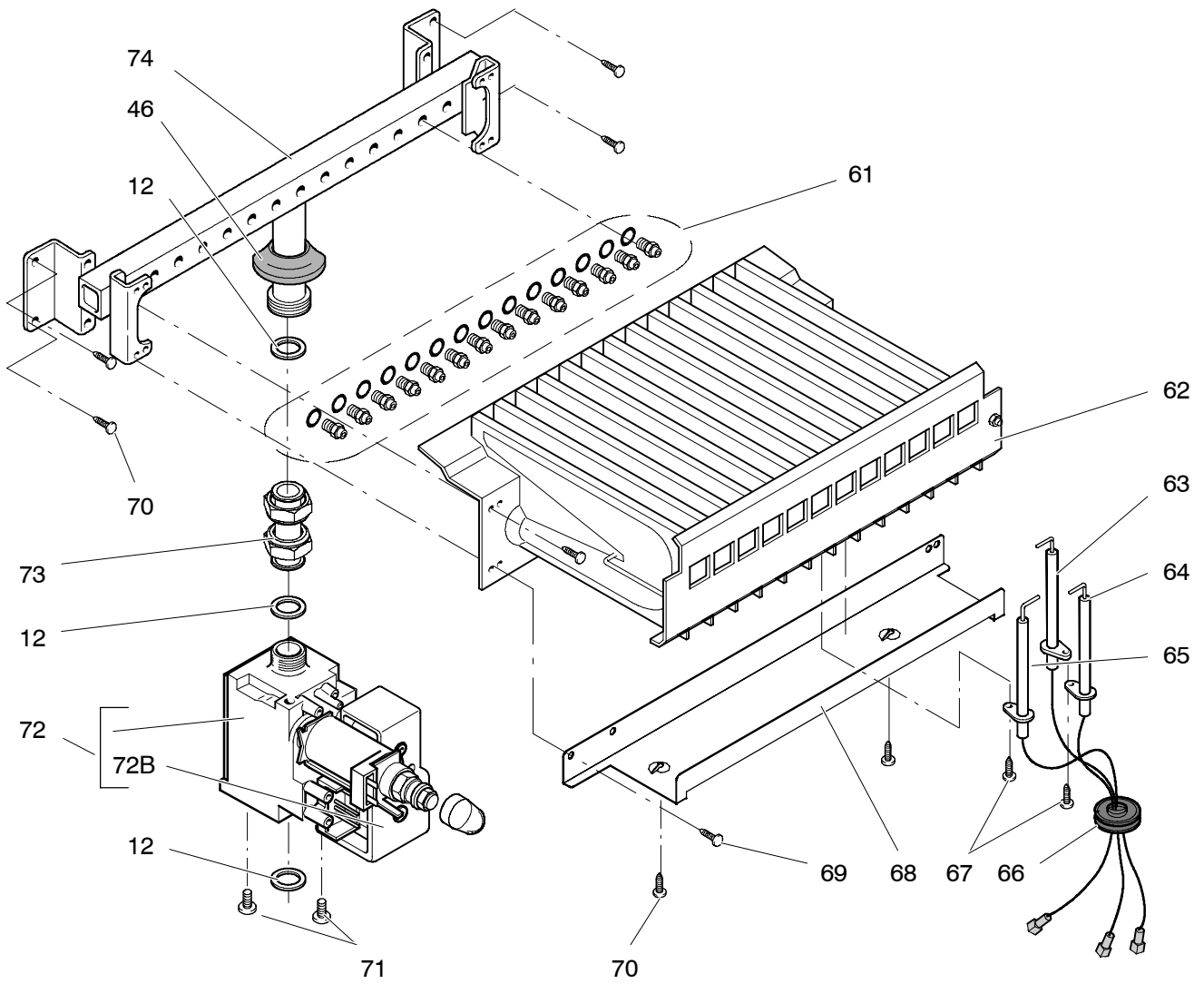
Pump and main circuit assembly
from serial no. N024600604



M90D.24S
M90D.28S
M90D.24SR
M90D.28SR

47-970-15
47-970-16
41-970-08
41-970-09

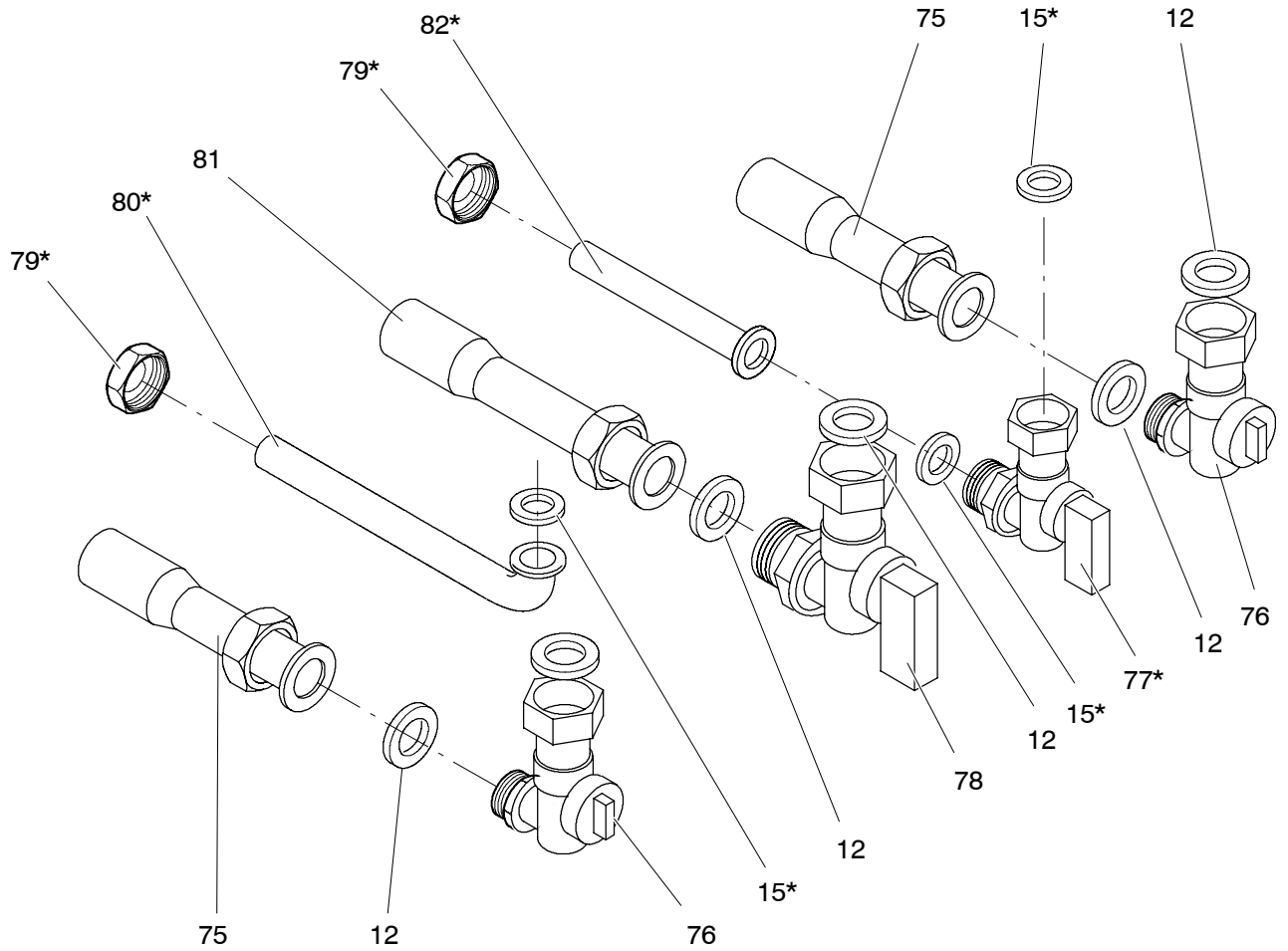
Gas assembly



M90D.24S
M90D.28S
M90D.24SR
M90D.28SR

47-970-15
47-970-16
41-970-08
41-970-09

Valves and connection pipes

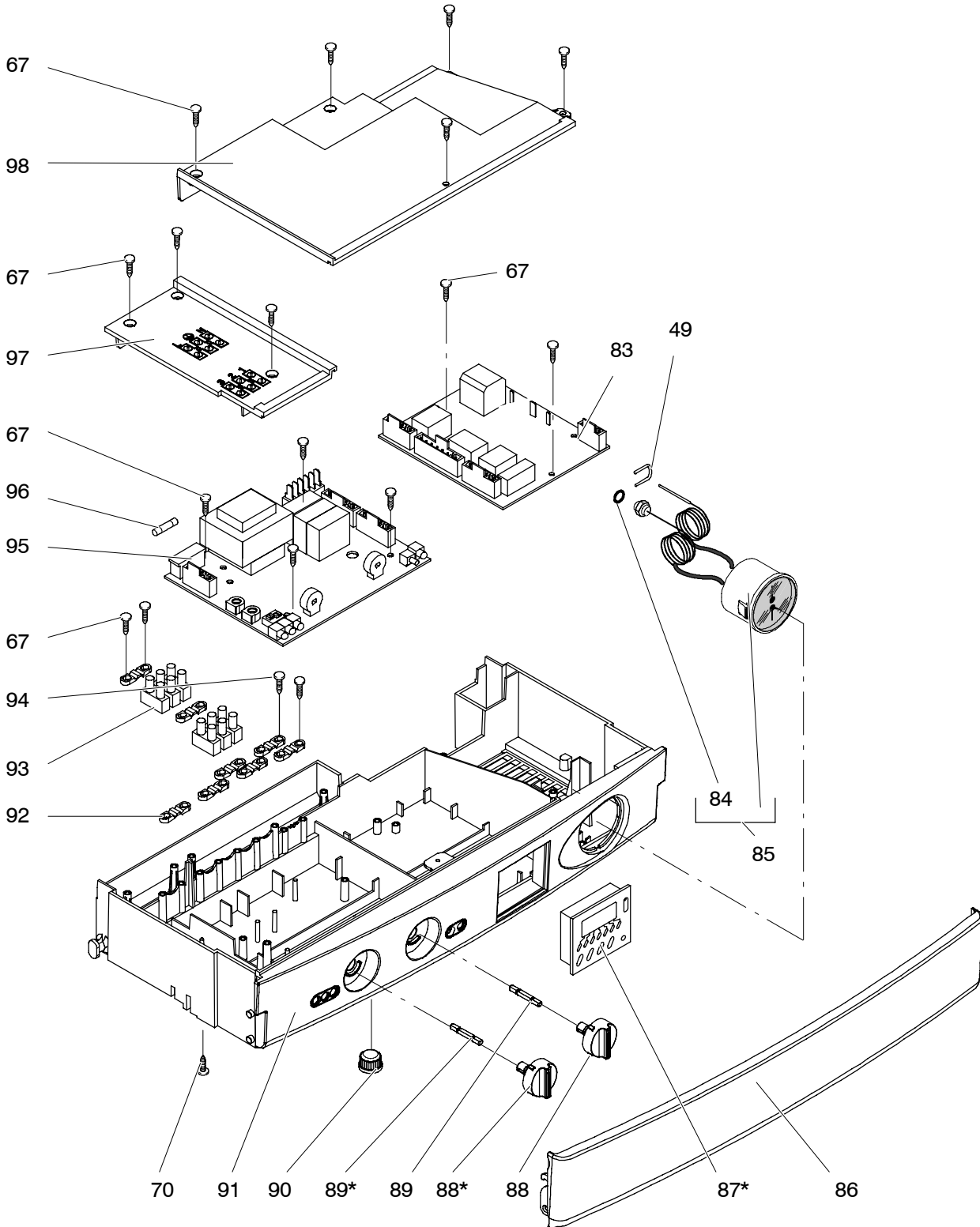


* Not for models M90D.24SR, M90D.28SR

M90D.24S
M90D.28S
M90D.24SR
M90D.28SR

47-970-15
47-970-16
41-970-08
41-970-09

Control panel and ignition device

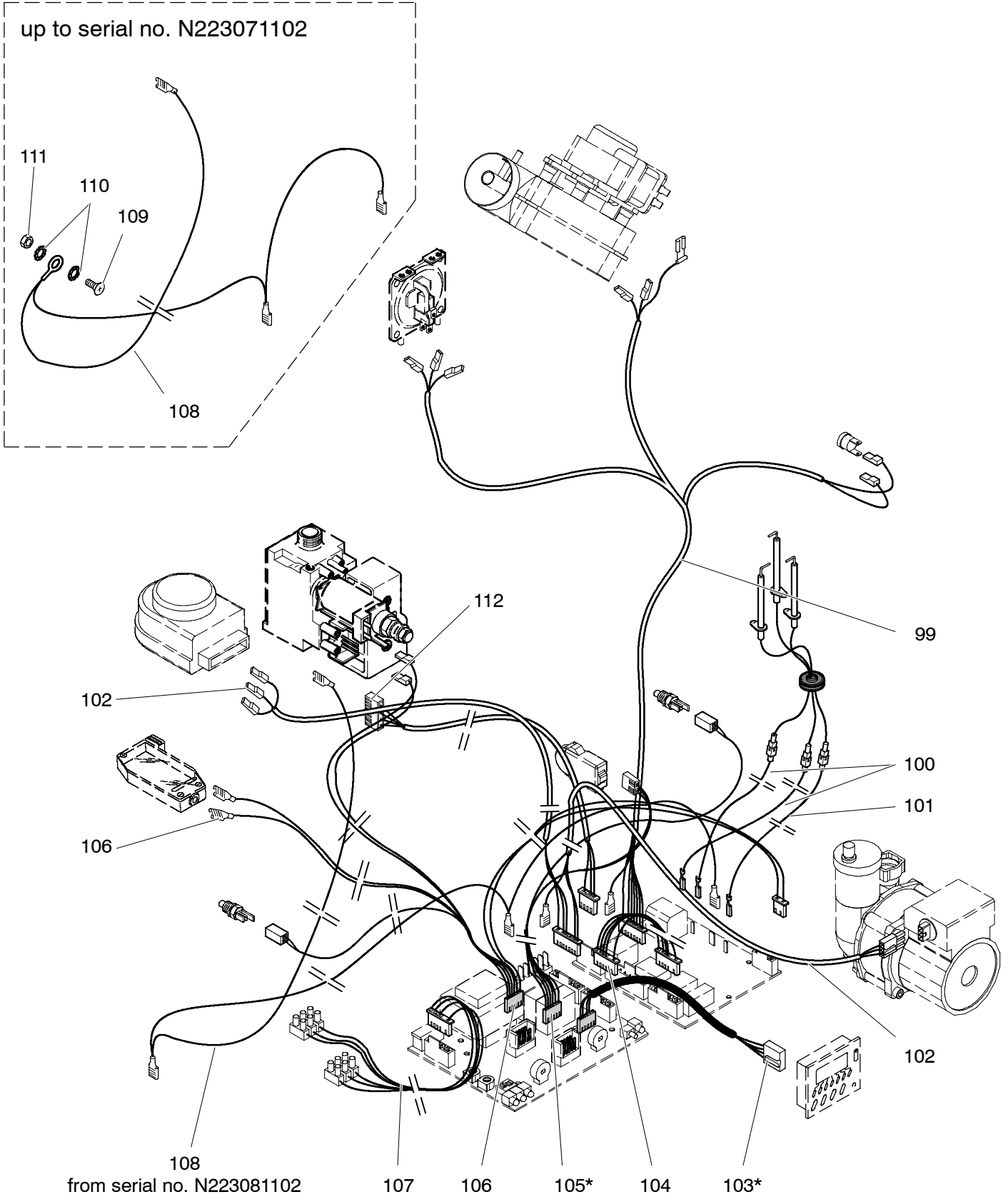


* Not for models M90D.24SR, M90D.28SR

M90D.24S
M90D.28S
M90D.24SR
M90D.28SR

47-970-15
47-970-16
41-970-08
41-970-09

Wiring

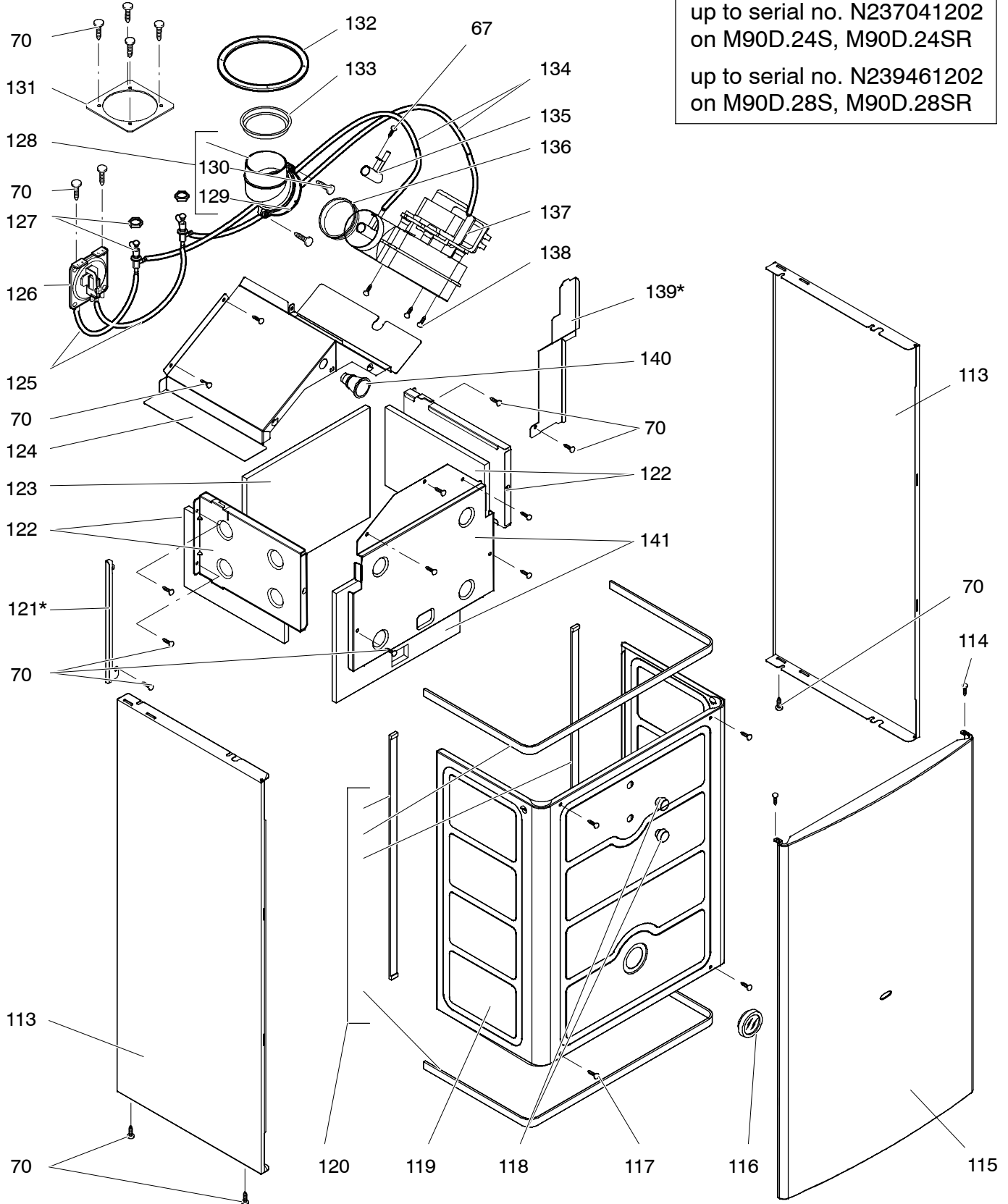


* Not for models M90D.24SR, M90D.28SR

M90D.24S
M90D.28S
M90D.24SR
M90D.28SR

47-970-15
47-970-16
41-970-08
41-970-09

Fan, combustion chamber and case panels

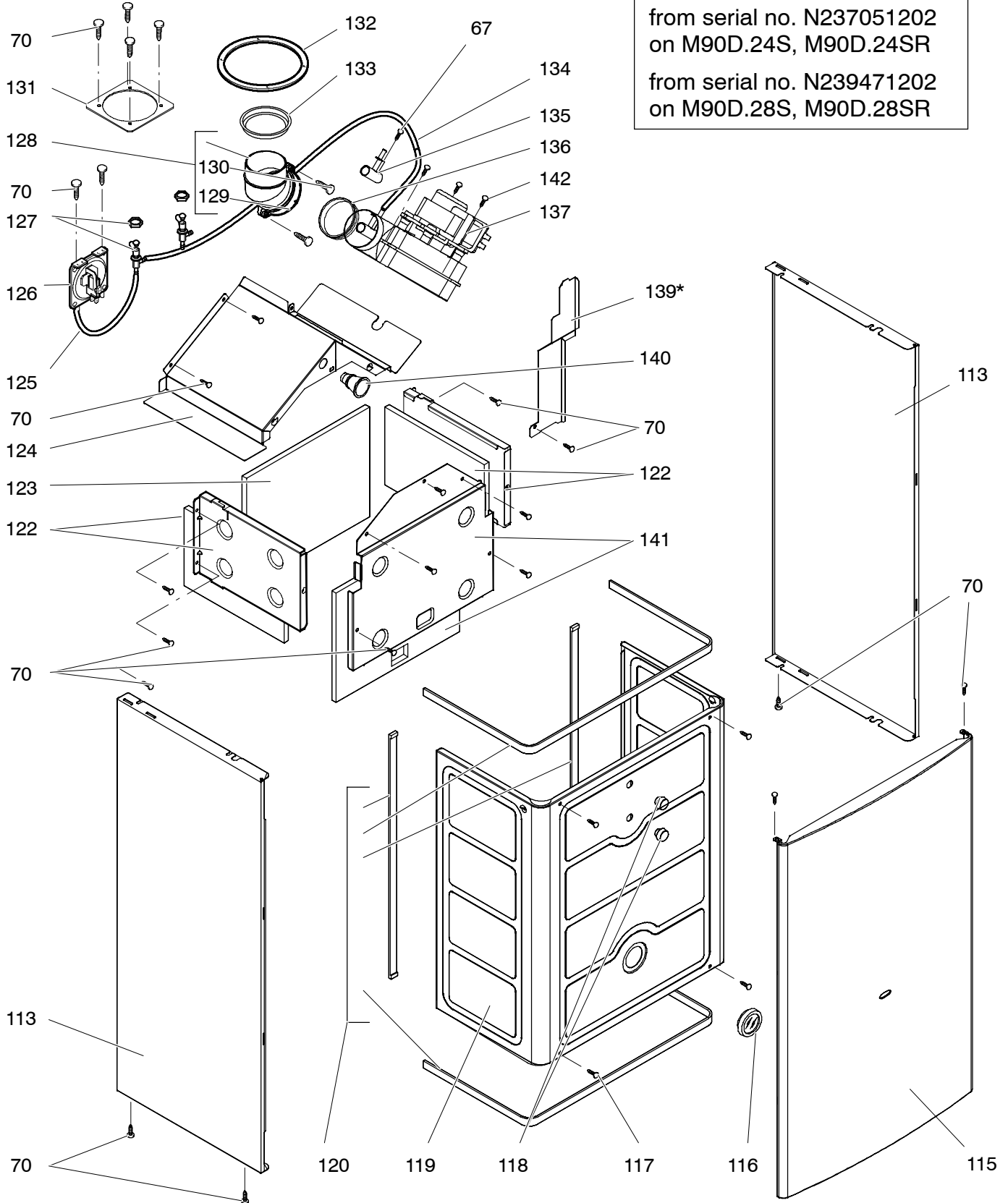


* For models M90D.28S, M90D.28SR only

M90D.24S
M90D.28S
M90D.24SR
M90D.28SR

47-970-15
47-970-16
41-970-08
41-970-09

Fan, combustion chamber and case panels



* For models M90D.28S, M90D.28SR only

DRAFT BRITISH GAS PART LIST

Date _____
 Sheet 1 of 12
 Manufacturer Biasi SpA – Italy
 Appliance(s) M90D.24S M90D.28S,
 GC Appliance Number(s) 47–970–15 47–970–16,
 Contract Name _____
 Telephone Number _____

(a)	(b)	(c)	(d)	(e)	(f)	(g)	(h)	(i)	(j)	(k)
Key no.	GC Part Number	Description	No. Off	Makers part number which have a CG number	Maker's old part number which have since been changed	Maker's new part number which DO NOT have a GC number	M B F	Original Supplier	Original Supplier part number	Retail price excl. VAT
		Position of data badge: inner side of left case panel								
	E83–012	Instructions booklets set	1	BI1911 502			M			
		up to serial no. N237041202 on M90D.24S, M90D.24SR								
		up to serial no. N239461202 on M90D.28S, M90D.28SR								
		Instructions booklets set	1			BI1911 505	M			
		from serial no. N237051202 on M90D.24S, M90D.24SR								
		from serial no. N239471202 on M90D.28S, M90D.28SR								
		up to serial no. N024590604 for all the models								
		Instructions booklets set from serial no. N024600604 for all	1			BI1911 510	M			
		the models								
1	E83–013	Safety valve 3 bar	1	BI1131 100			B	Watts Interme – Caldaro Italy	3 bar	
								Orkli (alternative)	3 bar	
2	E23–759	Safety valve connection	1	BI1001 127			M			
3	E83–015	Safety valve connection pipe	1	BI1131 102			M			
3 A	H05–158	Safety valve connection pipe	1	BI1131 106			M			
		(replacement for discontinued BI1131 102)								
4	164–026	Temperature probe (special)	2	BI1001 117			M			
5	164–025	Flat gasket 3/8" O.D 15 mm, i.d. 9.7 mm	2	BI1001 109			M			
6	E00–679	O–ring gasket 1,78x15,6	1	BI1001 131			M			
7	E00–669	Drainage valve	1	BI1011 104			B	Watts Interme – Caldaro Italy	RSR8 1/4"	
8	169–025	O–ring gasket 17,04x3,53 up to serial no. N024590604	5	KI1043 114			M			
8	169–025	O–ring gasket 17,04x3,53 from serial no. N024600604	2	KI1043 114			M			
9	E00–671	Screw M5x16 – Hexagon socket cap	2	BI1001 125			F			
11	E83–016	Return group kit	1	BI1131 501			M			
12	169–033	Flat gasket 3/4"	9	BI1001 108			M			

CONTINUATION SHEET

Sheet 2 of 12

Appliance number(s) 47-970-15 47-970-16,

(a)	(b)	(c)	(d)	(e)	(f)	(g)	(h)	(i)	(j)	(k)
Key no.	GC Part Number	Description	No. Off	Makers part number which have a CG number	Maker's old part number which have since been changed	Maker's new part number which DO NOT have a GC number	M B F	Original Supplier	Original Supplier part number	Retail price excl. VAT
13	E23-757	Toothed lock washer external 6,4 mm	2	BI1001 124			F			
14	E00-670	Screw M6x8 - BZP RPH	2	BI1001 123			F			
15	169-141	Gasket 1/2"	3	BI1001 106			M			
16	E83-018	Flow limiter 10 Litres/min	1	BI1091 102			B	Acqua Flow		
16 A	E83-019	Flow limiter 12 Litres/min	1	BI1091 103			B	Acqua Flow		
17	E00-678	O-ring gasket 2,62x20,63	1	BI1001 130			M			
18	E83-081	Magnetic flow switch and filter kit	1	BI1091 502			M			
19	E83-082	D.h.w. flow switch	1	BI1091 104			M			
20	E01-205	Exchanger DHW	1	BI1001 102			M			
21	E00-668	O-ring gasket 1,78x12,42 by-pass pipe	2	BI1001 115			M			
22	E83-083	By-pass pipe	1	BI1131 101			M			
23	169-060	O-ring gasket 18,64x3,53	4	KI1043 144			M			
24	E00-672	By-pass pipe fixing fork	2	BI1001 111			M			
25	E00-676	O-ring gasket 1,78x14	1	BI1001 129			M			
26	E83-086	Diverter valve actuator	1	BI1101 102			B	Elbi International SpA Collegno italy	1650/6/0	
27	E83-090	Diverter valve actuator fixing spring	1	BI1101 101			M			
28	E83-091	Diverter valve kit	1	BI1141 501			M			
29	E00-680	O-ring gasket 2,62x23,47	3	BI1011 107			M			
30	E83-092	O-ring gasket 2,7x13,6	2	BI1011 117			M			
31	E83-095	Flow group kit	1	BI1141 500			M			
33	E00-688	Central heating pressure switch membrane	1	BI1011 103			M			
34	E00-687	Central heating pressure switch disk	1	BI1011 111			M			
35	E00-686	Central heating pressure switch spring	1	BI1011 110			M			
36	E00-685	Screw M4x12 mm Stainless steel SCH	4	BI1011 109			F			
37	E00-681	Microswitch guide bush	1	BI1011 502			M			

CONTINUATION SHEET

Sheet 3 of 12

Appliance number(s) 47-970-15 47-970-16,

(a)	(b)	(c)	(d)	(e)	(f)	(g)	(h)	(i)	(j)	(k)
Key no.	GC Part Number	Description	No. Off	Makers part number which have a CG number	Maker's old part number which have since been changed	Maker's new part number which DO NOT have a GC number	M B F	Original Supplier	Original Supplier part number	Retail price excl. VAT
38	E00-684	Microswitch kit	1	BI1011 505			M			
39	E00-683	Microswitch box fixing clip	1	BI1011 105			M			
40	E00-682	Screw 2,9x13 mm AB self tapping BZP - RCH	3	BI1011 108			F			
41	E00-689	By-pass kit	1	BI1011 501			M			
42	E94-723	Overheat thermostat fixing clip	1	BI1182 100			M			
43	E83-101	Overheat thermostat	1	BI1172 105			B	Elth	261 105°C	
								Texas instruments (Klixon) alternative	1NT	
44	E94-579	Main exchanger M90D.24S, M90D.24SR	1	BI1182 101			M			
		up to serial no. N218480103								
44	H03-714	Main exchanger M90D.24S, M90D.24SR	1	BI1202 101			M			
		from serial no. N218490103								
44 A	E94-580	Main exchanger M90D.28S, M90D.28SR	1	BI1182 102			M			
		up to serial no. N126910103								
44 A	H03-716	Main exchanger M90D.28S, M90D.28SR	1	BI1202 102			M			
		from serial no. N126920103								
45	E94-737	Main exchanger connection clip	2	BI1182 106			M			
46	169-104	Grommet	3	BI1002 113			M			
47	169-045	Probe holder	1	BI1105 108			M			
48	E94-725	Main exchanger inlet pipe	1	BI1182 103			M			
		up to serial no. N218480103 on M90D.24S M90D.24SR								
		up to serial no. N126910103 on M90D.28S M90D.28SR								
48	H03-718	Main exchanger inlet pipe	1	BI1202 103			M			
		from serial no. N218490103 on M90D.24S M90D.24SR								
		from serial no. N126920103 on M90D.28S M90D.28SR								
		up to serial no. N024590604								

CONTINUATION SHEET

Sheet 4 of 12

Appliance number(s) 47-970-15 47-970-16,

(a)	(b)	(c)	(d)	(e)	(f)	(g)	(h)	(i)	(j)	(k)
Key no.	GC Part Number	Description	No. Off	Makers part number which have a CG number	Maker's old part number which have since been changed	Maker's new part number which DO NOT have a GC number	M B F	Original Supplier	Original Supplier part number	Retail price excl. VAT
48	H23-005	Main exchanger inlet pipe from serial no. N024600604	1	BI1272 102			M			
49	169-040	Fork	1	KI1042 115			M			
50	169-039	Fork	1	KI1042 120			M			
51	402-325	Screw M6x10 - BZP RPH	2	BI1172 115			F			
52	E83-111	Pump (complete)	1	BI1172 104			M			
52	A H04-218	Pump (complete) up to serial no. N024590604 (replacement for discontinued BI1172 104)	1	BI1222 101			M			
52	A H23-009	Pump (complete) from serial no. N024600604	1	BI1272 100			M			
53	E83-113	Pump (motor)	1	BI1172 114			B	Wilo	NFHUL 15/5	
53	A H04-220	Pump (motor) (replacement for discontinued BI1172 114) up to serial no. N024590604	1	BI1222 102			B	Wilo	NFHUL 15/5	
53	A H23-012	Pump (motor) from serial no. N024600604	1	BI1272 101			B	Wilo	NFSL 12/5	
54	E83-114	Pump gasket (front)	1	BI1172 113			M			
55	E83-116	Pump gasket (rear) up to serial no. N024590604	1	BI1172 112			M			
56	E83-117	Automatic air purger valve up to serial no. N024590604	1	BI1172 111			M			
56	H20-986	Automatic air purger valve from serial no. N024600604	1	BI1212 107			M			
57	E83-118	Pump connection fork up to serial no. N024590604	1	BI1172 110			M			
57	H20-987	Pump connection fork from serial no. N024600604	1	BI1262 116			M			
58	E83-119	Expansion vessel connection pipe up to serial no. N024590604	1	BI1172 109			M			
58	H23-014	Expansion vessel connection pipe from serial no. N024600604	1	BI1272 103			M			
59	E94-726	Main exchanger outlet pipe up to serial no. N218480103 on M90D.24S M90D.24SR up to serial no. N126910103 on M90D.28S M90D.28SR	1	BI1182 104			M			

CONTINUATION SHEET

Sheet 5 of 12

Appliance number(s) 47-970-15 47-970-16,

(a)	(b)	(c)	(d)	(e)	(f)	(g)	(h)	(i)	(j)	(k)
Key no.	GC Part Number	Description	No. Off	Makers part number which have a CG number	Maker's old part number which have since been changed	Maker's new part number which DO NOT have a GC number	M B F	Original Supplier	Original Supplier part number	Retail price excl. VAT
59	H03-720	Main exchanger outlet pipe	1	BI1202 104			M			
		from serial no. N218490103 on M90D.24S M90D.24SR								
		from serial no. N126920103 on M90D.28S M90D.28SR								
		up to serial no. N024590604 for all the models								
59	H23-015	Main exchanger outlet pipe	1	BI1212 110			M			
		from serial no. N024600604 for all the models								
60	E94-576	Expansion vessel	1	BI1182 105			B	Zilmet	13C0000700	
61	169-069	Injectors with gaskets 130 - NG	15	KI1064 505			B	Polidoro		
61 A	169-070	Injectors with gaskets 77 - LPG	15	KI1064 506			B	Polidoro		
62	173-148	Burner M90D.24S, M90D.24SR	1	KI1004 102			B	Polidoro		
62 A	173-149	Burner M90D.28S, M90D.28SR	1	KI1004 147			B	Polidoro		
63	E83-122	Detection electrode	1	BI1123 102			M			
64	E83-126	Ignition electrode - right	1	BI1123 103			M			
65	E83-127	Ignition electrode - left	1	BI1123 101			M			
66	169-125	Grommet	1	BI1002 115			M			
67	409-736	Tapping screw 3,5x9,5 recessed pan head	24	BI1013 115			F			
68	E83-128	Air deflector M90D.24S, M90D.24SR	1	BI1183 102			M			
		up to serial no. N239461202 on M90D.28S, M90D.28SR								
68	H03-681	Air deflector	1	BI1183 109			M			
		from serial no. N239471202 on M90D.28S, M90D.28SR								
69	409-531	Taptite screw M4x8 Recessed pan head Hardened steel	4	BI1013 111			F			
		Bright Zinc Plated BS3382 Clear passivated and lanolin								
		Dipped								

CONTINUATION SHEET

Sheet 6 of 12

Appliance number(s) 47-970-15 47-970-16,

(a)	(b)	(c)	(d)	(e)	(f)	(g)	(h)	(i)	(j)	(k)
Key no.	GC Part Number	Description	No. Off	Makers part number which have a CG number	Maker's old part number which have since been changed	Maker's new part number which DO NOT have a GC number	M B F	Original Supplier	Original Supplier part number	Retail price excl. VAT
70	409-722	Tapping Screw ISO No8 B 4,2x9,5 Recessed Pan Head	34	BI1013 110			F			
		Hardened Steel BS4174 Bright Zinc plate BS1706 Clear								
		Passivated								
71	402-124	Machine Screw M4x8 mm Recessed pan head Mild steel	2	BI1013 114			F			
		BS4183 Bright zinc plate BS3382 Clear passiv.								
72	E83-129	Gas valve	1	BI1093 104			B	Sit	845 Sigma	
72 A	H03-746	Gas valve (replacement for discontinued BI1093104)	1	BI1193 105			B	Sit	845 Sigma	
72 B		Gas valve on-off operator coils				BI1093 107	B	Sit	0.967.158	
73	E83-130	Gas pipe to the manifold	1	BI1183 101			M			
74	E83-131	Gas manifold with injectors NG M90D.24S, M90D.24SR	1	BI1183 103			B	Polidoro		
74 A	E83-132	Gas manifold with injectors LPG M90D.24S, M90D.24SR	1	BI1183 104			B	Polidoro		
74 B	E83-133	Gas manifold with injectors NG M90D.28S, M90D.28SR	1	BI1183 105			B	Polidoro		
74 C	E83-134	Gas manifold with injectors LPG M90D.28S, M90D.28SR	1	BI1183 106			B	Polidoro		
75	E83-135	C.h. connection pipe	2	BI1084 110			M			
76	E83-136	Tap 3/4" - c.h.	2	BI1084 105			B			
77	E83-137	Tap 1/2" - d.h.w.	1	BI1084 101			B			
78	E83-138	Tap 3/4" - gas	1	BI1084 100			B			
79	E01-226	Nut 1/2"	2	BI1004 101			M			
80	E83-139	Pipe 15 mm dia (bent) d.h.w.	1	BI1084 109			M			
81	E83-140	Pipe 22 mm dia gas	1	BI1084 111			M			
82	E83-141	Pipe 15 mm dia (straight) d.h.w.	1	BI1084 107			M			
83	E83-142	Full sequence control device	1	BI1305 101			B	Bertelli & Partners	FM30	
84	E83-144	O-ring gasket 1,78 x 6,75	1	BI1475 119			M			
85	E83-145	Temperature-pressure gauge	1	BI1475 108			M			
86	E94-727	Cover panel	1	BI1515 100			M			

CONTINUATION SHEET

Sheet 7 of 12

Appliance number(s) 47-970-15 47-970-16,

(a)	(b)	(c)	(d)	(e)	(f)	(g)	(h)	(i)	(j)	(k)
Key no.	GC Part Number	Description	No. Off	Makers part number which have a CG number	Maker's old part number which have since been changed	Maker's new part number which DO NOT have a GC number	M B F	Original Supplier	Original Supplier part number	Retail price excl. VAT
87	E83-147	Time switch	1	BI1475 118			B	Flash	Monotron 200	
88	E94-728	Knob	2	BI1515 101			M			
89	E83-149	Shaft	2	BI1475 105			M			
90	E83-150	Control panel plug	1	BI1475 110			M			
91		Control panel box	1			BI1515 102	M			
92	E83-152	Cable holder	8	KI1066 208			B	Fastpoint S.r.l.	1207.BB01 XS	
		(replacement for discontinued KI1066 102)								
93	E83-153	Terminal block	2	BI1475 109			B	Elettrogibi	PA27	
								Odoardo Korner (alternative)	OK-433-FV	
94	409-727	Screw 3,5x16 mm self tap RPH	4	BI1165 101			F			
95	E94-730	Electronic control p.c.b.	1	BI1475 114			M			
95 A	H05-201	Electronic control p.c.b.	1	BI1515 107			M			
		(replacement for discontinued BI1475 114)								
95 B		Electronic control p.c.b.	1			BI1605 112	M			
		(replacement for discontinued BI1515 107)								
96	169-083	Fuse 1.6A	1	BI1005 105			B			
97	E83-155	Service panel cover	1	BI1475 111			M			
98	E83-156	Control panel cover	1	BI1475 112			M			
99	E83-159	Fan cable	1	BI1485 112			M			
100	E83-160	Ignition electrode cable	2	BI1485 101			M			
101	E83-161	Flame detection electrode cable	1	BI1485 102			M			
102	E83-162	Pump-diverter valve cable	1	BI1485 103			M			
103	E83-163	Time switch cable	1	BI1485 111			M			
104	E83-164	Electronic control p.c.b.-ignition device connection cable	1	BI1485 104			M			
105	E83-165	D.h.w. flow switch and temp. probe cable	1	BI1485 105			M			

CONTINUATION SHEET

Sheet 8 of 12

Appliance number(s) 47-970-15 47-970-16,

(a)	(b)	(c)	(d)	(e)	(f)	(g)	(h)	(i)	(j)	(k)
Key no.	GC Part Number	Description	No. Off	Makers part number which have a CG number	Maker's old part number which have since been changed	Maker's new part number which DO NOT have a GC number	M B F	Original Supplier	Original Supplier part number	Retail price excl. VAT
106	E83-166	C.h. flow switch, temp. probe cable and modulator cable	1	BI1485 106			M			
107	E83-168	Power supply and external control cable	1	BI1485 107			M			
108	E83-169	Earth wiring (up to serial no. N223071102)	1	BI1485 108			M			
108	H03-683	Earth wiring (from serial no. N223081102)	1	BI1485 116			M			
109	402-225	Machine Screw M5x10 Recessed Pan Head Mild steel	1	BI1035 109			F			
		BS4183 Bright zinc plate BS3382 Clear Passivated								
110	164-133	Toothed lock washer external 5,3x10 mm stainless	2	BI1035 110			F			
111	404-609	Full nut M5 Hexagon Steel grade 8 BS3692 Bright zinc	1	BI1035 111			F			
		plate BS3382 clear passivated								
112	E83-170	Gas valve cable	1	BI1485 109			M			
113	E94-731	Side case panel	2	BI1346 500			M			
114	409-702	Screw 4,2x13 mm AB self tapping RPH BZP	2	BI1336 115			F			
115	E94-732	Front case panel	1	BI1346 501			M			
116	E69-243	Window (glass + rubber frame)	1	BI1206 118			M			
117	409-747	Screw 4,8x13 mm AB self tapping RPH BZP	4	BI1336 114			F			
118	E83-174	Sampling point plug	2	BI1336 110			M			
119	E83-175	Sealed chamber lid	1	BI1336 100			M			
120	E83-176	Sealed chamber gaskets kit	1	BI1336 500			M			
121	E83-177	Air deflector left M90D.28S, M90D.28SR	1	BI1336 112			M			
		up to serial no. N239461202								
122	E83-178	Combustion chamber side panel	2	BI1326 100			M			
123	E83-180	Combustion chamber rear panel M90D.24S, M90D.24SR	1	BI1326 107			M			
123 A	E83-181	Combustion chamber rear panel M90D.28S, M90D.28SR	1	BI1326 108			M			
124	E83-182	Flue hoodup to serial no. N237041202 on M90D.24S,	1	BI1336 101			M			
		M90D.24SR								

CONTINUATION SHEET

Sheet 9 of 12

Appliance number(s) 47-970-15 47-970-16,

(a)	(b)	(c)	(d)	(e)	(f)	(g)	(h)	(i)	(j)	(k)
Key no.	GC Part Number	Description	No. Off	Makers part number which have a CG number	Maker's old part number which have since been changed	Maker's new part number which DO NOT have a GC number	M B F	Original Supplier	Original Supplier part number	Retail price excl. VAT
124	H03-687	Flue hood from serial no. N237051202 on M90D.24S, M90D.24SR	1	BI1366 104			M			
124 A	E83-183	Flue hood up to serial no. N239461202 on M90D.28S, M90D.28SR	1	BI1336 102			M			
124 A	H03-688	Flue hood from serial no. N239471202 on M90D.28S, M90D.28SR	1	BI1366 105			M			
125	E01-187	Flue pressure switch tube up to serial no. N237041202 on M90D.24S, M90D.24SR up to serial no. N239461202 on M90D.28S, M90D.28SR	2	BI1016 107			M			
125	E01-187	Flue pressure switch tube from serial no. N237051202 on M90D.24S, M90D.24SR from serial no. N239471202 on M90D.28S, M90D.28SR	1	BI1016 107			M			
126	E05-422	Air pressure switch up to serial no. N237041202 on M90D.24S, M90D.24SR	1	BI1036 102			B	Yamatake-Honeywell	C6065 1,4 mbar	
126	169-127	Air pressure switch from serial no. N237051202 on M90D.24S, M90D.24SR	1	KI1267 103			B	Yamatake-Honeywell SIT (alternative)	C6065 0,88 mbar 380 0,88 mbar	
126 A	E83-184	Air pressure switch up to serial no. N239461202 on M90D.28S, M90D.28SR	1	BI1256 114			B	Yamatake-Honeywell	C6065 1,6 mbar	
126 A	H03-691	Air pressure switch from serial no. N239471202 on M90D.28S, M90D.28SR	1	BI1366 107			B	Yamatake-Honeywell SIT (alternative)	C6065 1,04 mbar 380 1,04 mbar	
127	E05-424	Air switch pressure test point	2	BI1036 101			M			
128	E83-185	Flue elbow (complete)	1	BI1336 108			M			
129	E83-186	Flue elbow clamp	1	BI1336 113			M			
130	402-127	Screw M4x16 mm BZP - RPH	2	BI1015 115			M			
131	E01-184	Gasket - Air intake twin kit	1	BI1016 101			M			

CONTINUATION SHEET

Sheet 10 of 12

Appliance number(s) 47-970-15 47-970-16,

(a)	(b)	(c)	(d)	(e)	(f)	(g)	(h)	(i)	(j)	(k)
Key no.	GC Part Number	Description	No. Off	Makers part number which have a CG number	Maker's old part number which have since been changed	Maker's new part number which DO NOT have a GC number	M B F	Original Supplier	Original Supplier part number	Retail price excl. VAT
132	169-110	Flue pipe gasket	1	BI1016 104			M			
133	E83-187	Flue restrictor Ø 47	1	BI1336 106			M			
133 A	H03-692	Flue restrictor Ø 44	1	BI1366 108			M			
		from serial no. N237051202 on M90D.24S, M90D.24SR								
		from serial no. N239471202 on M90D.28S, M90D.28SR								
134	E83-188	Venturi device tube	2	BI1256 101			M			
		up to serial no. N237041202 on M90D.24S, M90D.24SR								
		up to serial no. N239461202 on M90D.28S, M90D.28SR								
134	E83-188	Venturi device tube	1	BI1256 101			M			
		from serial no. N237051202 on M90D.24S, M90D.24SR								
		from serial no. N239471202 on M90D.28S, M90D.28SR								
135	E83-189	Venturi	1	BI1036 108			M			
		up to serial no. N237041202 on M90D.24S, M90D.24SR								
		up to serial no. N239461202 on M90D.28S, M90D.28SR								
135	H03-695	Venturi	1	BI1366 100			M			
		from serial no. N237051202 on M90D.24S, M90D.24SR								
		from serial no. N239471202 on M90D.28S, M90D.28SR								
136	E83-190	Flue elbow gasket	1	BI1336 103			M			
		up to serial no. N237041202 on M90D.24S, M90D.24SR								
		up to serial no. N239461202 on M90D.28S, M90D.28SR								
136	H03-697	Flue elbow gasket	1	BI1366 101			M			
		from serial no. N237051202 on M90D.24S, M90D.24SR								
		from serial no. N239471202 on M90D.28S, M90D.28SR								
137	E83-191	Fan, up to serial no. N237041202 on M90D.24S,	1	BI1336 104			B	LN di Natalini - Montecassiano Italy		
		M90D.24SR								

CONTINUATION SHEET

Sheet 11 of 12

Appliance number(s) 47-970-15 47-970-16,

(a)	(b)	(c)	(d)	(e)	(f)	(g)	(h)	(i)	(j)	(k)
Key no.	GC Part Number	Description	No. Off	Makers part number which have a CG number	Maker's old part number which have since been changed	Maker's new part number which DO NOT have a GC number	M B F	Original Supplier	Original Supplier part number	Retail price excl. VAT
137	H03-699	Fan, from serial no. N237051202 on M90D.24S, M90D.24SR	1	BI1366 102			B	FIME	GR02040 39W	
137 A	E83-193	Fan, up to serial no. N239461202 on M90D.28S, M90D.28SR	1	BI1336 116			B	LN di Natalini - Montecassiano Italy		
137 A	H03-700	Fan, from serial no. N239471202 on M90D.28S, M90D.28SR	1	BI1366 103			B	FIME	GR02045 47W	
138	409-720	Screw 3,5x6,5 mm AB self tapping BZP - RPH	3	KI1267 104			F			
139	E83-194	Air deflector right M90D.28S	1	BI1336 111			M			
140	E83-195	Flue sampling point connection	1	BI1336 109			M			
141	E83-196	Combustion chamber front panel M90D.24S, M90D.24SR	1	BI1326 101			M			
141 A	E83-197	Combustion chamber front panel up to serial no. N239461202 on M90D.28S, M90D.28SR	1	BI1326 102			M			
141 A	H03-701	Combustion chamber front panel from serial no. N239471202 on M90D.28S, M90D.28SR	1	BI1366 109			M			
142	409-721	Screw 4,2x13 mm B self tapping RPH BZP	3	BI1366 110			F			
143	H03-727	Flat gasket 3/8" O.D 15 mm, i.d. 8.5 mm up to serial no. N024590604	2	BI1202 105			M			
143	H03-727	Flat gasket 3/8" O.D 15 mm, i.d. 8.5 mm from serial no. N024600604	1	BI1202 105			M			
149	H20-990	Fork	1	BI1262 120			M			
150	169-015	Fork	1	KI1042 101			M			
151	H20-992	Screw 5X16	2	BI1262 115			F			
152	H20-945	O-ring gasket 17,04x4,00	1	BI1212 112			M			
153	H20-981	O-ring gasket 1,9X16	1	BI1262 114			M			
154	H20-996	O-ring gasket 2,62X9,92	1	BI1262 113			M			

DRAFT BRITISH GAS PART LIST

Date _____
 Sheet 1 of 11
 Manufacturer Biasi SpA – Italy
 Appliance(s) M90D.24SR, M90D.28SR
 GC Appliance Number(s) 41–970–08, 41–970–09
 Contract Name _____
 Telephone Number _____

(a)	(b)	(c)	(d)	(e)	(f)	(g)	(h)	(i)	(j)	(k)
Key no.	GC Part Number	Description	No. Off	Makers part number which have a CG number	Maker's old part number which have since been changed	Maker's new part number which DO NOT have a GC number	M B F	Original Supplier	Original Supplier part number	Retail price excl. VAT
		Position of data badge: inner side of left case panel								
	E83–012	Instructions booklets set	1	BI1911 502			M			
		up to serial no. N237041202 on M90D.24S, M90D.24SR								
		up to serial no. N239461202 on M90D.28S, M90D.28SR								
		Instructions booklets set	1			BI1911 505	M			
		from serial no. N237051202 on M90D.24S, M90D.24SR								
		from serial no. N239471202 on M90D.28S, M90D.28SR								
		up to serial no. N024590604 for all the models								
		Instructions booklets set from serial no. N024600604 for all	1			BI1911 510	M			
		the models								
1	E83–013	Safety valve 3 bar	1	BI1131 100			B	Watts Interme – Caldaro Italy	3 bar	
								Orkli (alternative)	3 bar	
2	E23–759	Safety valve connection	1	BI1001 127			M			
3	E83–015	Safety valve connection pipe	1	BI1131 102			M			
3 A	H05–158	Safety valve connection pipe	1	BI1131 106			M			
		(replacement for discontinued BI1131 102)								
4	164–026	Temperature probe (special)	1	BI1001 117			M			
5	164–025	Flat gasket 3/8" O.D 15 mm, i.d. 9.7 mm	1	BI1001 109			M			
6	E00–679	O–ring gasket 1,78x15,6	1	BI1001 131			M			
7	E00–669	Drainage valve	1	BI1011 104			B	Watts Interme – Caldaro Italy	RSR8 1/4"	
8	169–025	O–ring gasket 17,04x3,53 up to serial no. N024590604	5	KI1043 114			M			
8	169–025	O–ring gasket 17,04x3,53 from serial no. N024600604	2	KI1043 114			M			
10	402–941	Screw M5x30 – Hexagon socket cap	2	KI1217 115			F			
11	E83–016	Return group kit	1	BI1131 501			M			
12	169–033	Flat gasket 3/4"	9	BI1001 108			M			

CONTINUATION SHEET

Sheet 2 of 11

Appliance number(s) 41-970-08, 41-970-09

(a)	(b)	(c)	(d)	(e)	(f)	(g)	(h)	(i)	(j)	(k)
Key no.	GC Part Number	Description	No. Off	Makers part number which have a CG number	Maker's old part number which have since been changed	Maker's new part number which DO NOT have a GC number	M B F	Original Supplier	Original Supplier part number	Retail price excl. VAT
13	E23-757	Toothed lock washer external 6,4 mm	2	BI1001 124			F			
14	E00-670	Screw M6x8 - BZP RPH	2	BI1001 123			F			
21	E00-668	O-ring gasket 1,78x12,42 by-pass pipe	2	BI1001 115			M			
22	E83-083	By-pass pipe	1	BI1131 101			M			
23	169-060	O-ring gasket 18,64x3,53	4	KI1043 144			M			
24	E00-672	By-pass pipe fixing fork	2	BI1001 111			M			
25	E00-676	O-ring gasket 1,78x14	1	BI1001 129			M			
29	E00-680	O-ring gasket 2,62x23,47	3	BI1011 107			M			
32	E83-429	Flow group kit	1	BI1141 502			M			
33	E00-688	Central heating pressure switch membrane	1	BI1011 103			M			
34	E00-687	Central heating pressure switch disk	1	BI1011 111			M			
35	E00-686	Central heating pressure switch spring	1	BI1011 110			M			
36	E00-685	Screw M4x12 mm Stainless steel SCH	4	BI1011 109			F			
37	E00-681	Microswitch guide bush	1	BI1011 502			M			
38	E00-684	Microswitch kit	1	BI1011 505			M			
39	E00-683	Microswitch box fixing clip	1	BI1011 105			M			
40	E00-682	Screw 2,9x13 mm AB self tapping BZP - RCH	3	BI1011 108			F			
41	E00-689	By-pass kit	1	BI1011 501			M			
42	E94-723	Overheat thermostat fixing clip	1	BI1182 100			M			
43	E83-101	Overheat thermostat	1	BI1172 105			B	Elth	261 105°C	
								Texas instruments (Klixon) alternative	1NT	
44	E94-579	Main exchanger M90D.24S, M90D.24SR up to serial no. N218480103	1	BI1182 101			M			
44	H03-714	Main exchanger M90D.24S, M90D.24SR from serial no. N218490103	1	BI1202 101			M			

CONTINUATION SHEET

Sheet 3 of 11

Appliance number(s) 41-970-08, 41-970-09

(a)	(b)	(c)	(d)	(e)	(f)	(g)	(h)	(i)	(j)	(k)
Key no.	GC Part Number	Description	No. Off	Makers part number which have a CG number	Maker's old part number which have since been changed	Maker's new part number which DO NOT have a GC number	M B F	Original Supplier	Original Supplier part number	Retail price excl. VAT
44	A E94-580	Main exchanger M90D.28S, M90D.28SR up to serial no. N126910103	1	BI1182 102			M			
44	A H03-716	Main exchanger M90D.28S, M90D.28SR from serial no. N126920103	1	BI1202 102			M			
45	E94-737	Main exchanger connection clip	2	BI1182 106			M			
46	169-104	Grommet	3	BI1002 113			M			
47	169-045	Probe holder	1	BI1105 108			M			
48	E94-725	Main exchanger inlet pipe up to serial no. N218480103 on M90D.24S M90D.24SR up to serial no. N126910103 on M90D.28S M90D.28SR	1	BI1182 103			M			
48	H03-718	Main exchanger inlet pipe from serial no. N218490103 on M90D.24S M90D.24SR from serial no. N126920103 on M90D.28S M90D.28SR up to serial no. N024590604	1	BI1202 103			M			
48	H23-005	Main exchanger inlet pipe from serial no. N024600604	1	BI1272 102			M			
49	169-040	Fork	1	KI1042 115			M			
50	169-039	Fork	1	KI1042 120			M			
51	402-325	Screw M6x10 - BZP RPH	2	BI1172 115			F			
52	E83-111	Pump (complete)	1	BI1172 104			M			
52	A H04-218	Pump (complete) up to serial no. N024590604 (replacement for discontinued BI1172 104)	1	BI1222 101			M			
52	A H23-009	Pump (complete) from serial no. N024600604	1	BI1272 100			M			
53	E83-113	Pump (motor)	1	BI1172 114			B	Wilo	NFHUL 15/5	
53	A H04-220	Pump (motor) (replacement for discontinued BI1172 114) up to serial no. N024590604	1	BI1222 102			B	Wilo	NFHUL 15/5	

CONTINUATION SHEET

Sheet 4 of 11

Appliance number(s) 41-970-08, 41-970-09

(a)	(b)	(c)	(d)	(e)	(f)	(g)	(h)	(i)	(j)	(k)
Key no.	GC Part Number	Description	No. Off	Makers part number which have a CG number	Maker's old part number which have since been changed	Maker's new part number which DO NOT have a GC number	M B F	Original Supplier	Original Supplier part number	Retail price excl. VAT
53	A H23-012	Pump (motor) from serial no. N024600604	1	BI1272 101			B	Wilo	NFSL 12/5	
54	E83-114	Pump gasket (front)	1	BI1172 113			M			
55	E83-116	Pump gasket (rear) up to serial no. N024590604	1	BI1172 112			M			
56	E83-117	Automatic air purger valve up to serial no. N024590604	1	BI1172 111			M			
56	H20-986	Automatic air purger valve from serial no. N024600604	1	BI1212 107			M			
57	E83-118	Pump connection fork up to serial no. N024590604	1	BI1172 110			M			
57	H20-987	Pump connection fork from serial no. N024600604	1	BI1262 116			M			
58	E83-119	Expansion vessel connection pipe up to serial no. N024590604	1	BI1172 109			M			
58	H23-014	Expansion vessel connection pipe from serial no. N024600604	1	BI1272 103			M			
59	E94-726	Main exchanger outlet pipe up to serial no. N218480103 on M90D.24S M90D.24SR up to serial no. N126910103 on M90D.28S M90D.28SR	1	BI1182 104			M			
59	H03-720	Main exchanger outlet pipe from serial no. N218490103 on M90D.24S M90D.24SR from serial no. N126920103 on M90D.28S M90D.28SR up to serial no. N024590604 for all the models	1	BI1202 104			M			
59	H23-015	Main exchanger outlet pipe from serial no. N024600604 for all the models	1	BI1212 110			M			
60	E94-576	Expansion vessel	1	BI1182 105			B	Zilmet	13C0000700	
61	169-069	Injectors with gaskets 130 - NG	15	KI1064 505			B	Polidoro		
61	A 169-070	Injectors with gaskets 77 - LPG	15	KI1064 506			B	Polidoro		
62	173-148	Burner M90D.24S, M90D.24SR	1	KI1004 102			B	Polidoro		
62	A 173-149	Burner M90D.28S, M90D.28SR	1	KI1004 147			B	Polidoro		

CONTINUATION SHEET

Sheet 5 of 11

Appliance number(s) 41-970-08, 41-970-09

(a) Key no.	(b) GC Part Number	(c) Description	(d) No. Off	(e) Makers part number which have a CG number	(f) Maker's old part number which have since been changed	(g) Maker's new part number which DO NOT have a GC number	(h) M B F	(i) Original Supplier	(j) Original Supplier part number	(k) Retail price excl. VAT
63	E83-122	Detection electrode	1	BI1123 102			M			
64	E83-126	Ignition electrode - right	1	BI1123 103			M			
65	E83-127	Ignition electrode - left	1	BI1123 101			M			
66	169-125	Grommet	1	BI1002 115			M			
67	409-736	Tapping screw 3,5x9,5 recessed pan head	24	BI1013 115			F			
68	E83-128	Air deflector M90D.24S, M90D.24SR up to serial no. N239461202 on M90D.28S, M90D.28SR	1	BI1183 102			M			
68	H03-681	Air deflector from serial no. N239471202 on M90D.28S, M90D.28SR	1	BI1183 109			M			
69	409-531	Taptite screw M4x8 Recessed pan head Hardened steel Bright Zinc Plated BS3382 Clear passivated and lanolin Dipped	4	BI1013 111			F			
70	409-722	Tapping Screw ISO No8 B 4,2x9,5 Recessed Pan Head Hardened Steel BS4174 Bright Zinc plate BS1706 Clear Passivated	34	BI1013 110			F			
71	402-124	Machine Screw M4x8 mm Recessed pan head Mild steel BS4183 Bright zinc plate BS3382 Clear passiv.	2	BI1013 114			F			
72	E83-129	Gas valve	1	BI1093 104			B	Sit	845 Sigma	
72 A	H03-746	Gas valve (replacement for discontinued BI1093104)	1	BI1193 105			B	Sit	845 Sigma	
72 B		Gas valve on-off operator coils				BI1093 107	B	Sit	0.967.158	
73	E83-130	Gas pipe to the manifold	1	BI1183 101			M			
74	E83-131	Gas manifold with injectors NG M90D.24S, M90D.24SR	1	BI1183 103			B	Polidoro		
74 A	E83-132	Gas manifold with injectors LPG M90D.24S, M90D.24SR	1	BI1183 104			B	Polidoro		
74 B	E83-133	Gas manifold with injectors NG M90D.28S, M90D.28SR	1	BI1183 105			B	Polidoro		
74 C	E83-134	Gas manifold with injectors LPG M90D.28S, M90D.28SR	1	BI1183 106			B	Polidoro		

CONTINUATION SHEET

Sheet 6 of 11

Appliance number(s) 41-970-08, 41-970-09

(a)	(b)	(c)	(d)	(e)	(f)	(g)	(h)	(i)	(j)	(k)
Key no.	GC Part Number	Description	No. Off	Makers part number which have a CG number	Maker's old part number which have since been changed	Maker's new part number which DO NOT have a GC number	M B F	Original Supplier	Original Supplier part number	Retail price excl. VAT
75	E83-135	C.h. connection pipe	2	BI1084 110			M			
76	E83-136	Tap 3/4" - c.h.	2	BI1084 105			B			
78	E83-138	Tap 3/4" - gas	1	BI1084 100			B			
81	E83-140	Pipe 22 mm dia gas	1	BI1084 111			M			
83	E83-142	Full sequence control device	1	BI1305 101			B	Bertelli & Partners	FM30	
84	E83-144	O-ring gasket 1,78 x 6,75	1	BI1475 119			M			
85	E83-145	Temperature-pressure gauge	1	BI1475 108			M			
86	E94-727	Cover panel	1	BI1515 100			M			
88	E94-728	Knob	1	BI1515 101			M			
89	E83-149	Shaft	1	BI1475 105			M			
90	E83-150	Control panel plug	1	BI1475 110			M			
91		Control panel box	1			BI1515 103	M			
92	E83-152	Cable holder (replacement for discontinued KI1066 102)	8	KI1066 208			B	Fastpoint S.r.l.	1207.BB01 XS	
93	E83-153	Terminal block	2	BI1475 109			B	Elettrogibi Odoardo Korner (alternative)	PA27 OK-433-FV	
94	409-727	Screw 3,5x16 mm self tap RPH	4	BI1165 101			F			
95	E94-730	Electronic control p.c.b.	1	BI1475 114			M			
95 A	H05-201	Electronic control p.c.b. (replacement for discontinued BI1475 114)	1	BI1515 107			M			
95 B		Electronic control p.c.b. (replacement for discontinued BI1515 107)	1			BI1605 112	M			
96	169-083	Fuse 1.6A	1	BI1005 105			B			
97	E83-155	Service panel cover	1	BI1475 111			M			
98	E83-156	Control panel cover	1	BI1475 112			M			

CONTINUATION SHEET

Sheet 7 of 11

Appliance number(s) 41-970-08, 41-970-09

(a)	(b)	(c)	(d)	(e)	(f)	(g)	(h)	(i)	(j)	(k)
Key no.	GC Part Number	Description	No. Off	Makers part number which have a CG number	Maker's old part number which have since been changed	Maker's new part number which DO NOT have a GC number	M B F	Original Supplier	Original Supplier part number	Retail price excl. VAT
99	E83-159	Fan cable	1	BI1485 112			M			
100	E83-160	Ignition electrode cable	2	BI1485 101			M			
101	E83-161	Flame detection electrode cable	1	BI1485 102			M			
102	E83-200	Pump cable	1	BI1485 114			M			
104	E83-164	Electronic control p.c.b.-ignition device connection cable	1	BI1485 104			M			
106	E83-166	C.h. flow switch, temp. probe cable and modulator cable	1	BI1485 106			M			
107	E83-168	Power supply and external control cable	1	BI1485 107			M			
108	E83-169	Earth wiring (up to serial no. N223071102)	1	BI1485 108			M			
108	H03-683	Earth wiring (from serial no. N223081102)	1	BI1485 116			M			
109	402-225	Machine Screw M5x10 Recessed Pan Head Mild steel	1	BI1035 109			F			
		BS4183 Bright zinc plate BS3382 Clear Passivated								
110	164-133	Toothed lock washer external 5,3x10 mm stainless	2	BI1035 110			F			
111	404-609	Full nut M5 Hexagon Steel grade 8 BS3692 Bright zinc plate BS3382 clear passivated	1	BI1035 111			F			
112	E83-170	Gas valve cable	1	BI1485 109			M			
113	E94-731	Side case panel	2	BI1346 500			M			
114	409-702	Screw 4,2x13 mm AB self tapping RPH BZP	2	BI1336 115			F			
115	E94-732	Front case panel	1	BI1346 501			M			
116	E69-243	Window (glass + rubber frame)	1	BI1206 118			M			
117	409-747	Screw 4,8x13 mm AB self tapping RPH BZP	4	BI1336 114			F			
118	E83-174	Sampling point plug	2	BI1336 110			M			
119	E83-175	Sealed chamber lid	1	BI1336 100			M			
120	E83-176	Sealed chamber gaskets kit	1	BI1336 500			M			
121	E83-177	Air deflector left M90D.28S, M90D.28SR	1	BI1336 112			M			
		up to serial no. N239461202								

CONTINUATION SHEET

Sheet 8 of 11

Appliance number(s) 41-970-08, 41-970-09

(a)	(b)	(c)	(d)	(e)	(f)	(g)	(h)	(i)	(j)	(k)
Key no.	GC Part Number	Description	No. Off	Makers part number which have a CG number	Maker's old part number which have since been changed	Maker's new part number which DO NOT have a GC number	M B F	Original Supplier	Original Supplier part number	Retail price excl. VAT
122	E83-178	Combustion chamber side panel	2	BI1326 100			M			
123	E83-180	Combustion chamber rear panel M90D.24S, M90D.24SR	1	BI1326 107			M			
123 A	E83-181	Combustion chamber rear panel M90D.28S, M90D.28SR	1	BI1326 108			M			
124	E83-182	Flue hoodup to serial no. N237041202 on M90D.24S, M90D.24SR	1	BI1336 101			M			
124	H03-687	Flue hood from serial no. N237051202 on M90D.24S, M90D.24SR	1	BI1366 104			M			
124 A	E83-183	Flue hood up to serial no. N239461202 on M90D.28S, M90D.28SR	1	BI1336 102			M			
124 A	H03-688	Flue hood from serial no. N239471202 on M90D.28S, M90D.28SR	1	BI1366 105			M			
125	E01-187	Flue pressure switch tube up to serial no. N237041202 on M90D.24S, M90D.24SR up to serial no. N239461202 on M90D.28S, M90D.28SR	2	BI1016 107			M			
125	E01-187	Flue pressure switch tube from serial no. N237051202 on M90D.24S, M90D.24SR from serial no. N239471202 on M90D.28S, M90D.28SR	1	BI1016 107			M			
126	E05-422	Air pressure switch up to serial no. N237041202 on M90D.24S, M90D.24SR	1	BI1036 102			B	Yamatake-Honeywell	C6065 1,4 mbar	
126	169-127	Air pressure switch from serial no. N237051202 on M90D.24S, M90D.24SR	1	KI1267 103			B	Yamatake-Honeywell	C6065 0,88 mbar	
126 A	E83-184	Air pressure switch up to serial no. N239461202 on M90D.28S, M90D.28SR	1	BI1256 114			B	Yamatake-Honeywell	C6065 1,6 mbar	
126 A	H03-691	Air pressure switch from serial no. N239471202 on M90D.28S, M90D.28SR	1	BI1366 107			B	Yamatake-Honeywell	C6065 1,04 mbar	
								SIT (alternative)	380 0,88 mbar	
								SIT (alternative)	380 1,04 mbar	

CONTINUATION SHEET

Sheet 9 of 11

Appliance number(s) 41-970-08, 41-970-09

(a)	(b)	(c)	(d)	(e)	(f)	(g)	(h)	(i)	(j)	(k)
Key no.	GC Part Number	Description	No. Off	Makers part number which have a CG number	Maker's old part number which have since been changed	Maker's new part number which DO NOT have a GC number	M B F	Original Supplier	Original Supplier part number	Retail price excl. VAT
127	E05-424	Air switch pressure test point	2	BI1036 101			M			
128	E83-185	Flue elbow (complete)	1	BI1336 108			M			
129	E83-186	Flue elbow clamp	1	BI1336 113			M			
130	402-127	Screw M4x16 mm BZP - RPH	2	BI1015 115			M			
131	E01-184	Gasket - Air intake twin kit	1	BI1016 101			M			
132	169-110	Flue pipe gasket	1	BI1016 104			M			
133	E83-187	Flue restrictor Ø 47	1	BI1336 106			M			
133 A	H03-692	Flue restrictor Ø 44	1	BI1366 108			M			
		from serial no. N237051202 on M90D.24S, M90D.24SR								
		from serial no. N239471202 on M90D.28S, M90D.28SR								
134	E83-188	Venturi device tube	2	BI1256 101			M			
		up to serial no. N237041202 on M90D.24S, M90D.24SR								
		up to serial no. N239461202 on M90D.28S, M90D.28SR								
134	E83-188	Venturi device tube	1	BI1256 101			M			
		from serial no. N237051202 on M90D.24S, M90D.24SR								
		from serial no. N239471202 on M90D.28S, M90D.28SR								
135	E83-189	Venturi	1	BI1036 108			M			
		up to serial no. N237041202 on M90D.24S, M90D.24SR								
		up to serial no. N239461202 on M90D.28S, M90D.28SR								
135	H03-695	Venturi	1	BI1366 100			M			
		from serial no. N237051202 on M90D.24S, M90D.24SR								
		from serial no. N239471202 on M90D.28S, M90D.28SR								
136	E83-190	Flue elbow gasket	1	BI1336 103			M			
		up to serial no. N237041202 on M90D.24S, M90D.24SR								
		up to serial no. N239461202 on M90D.28S, M90D.28SR								

CONTINUATION SHEET

Sheet 10 of 11

Appliance number(s) 41-970-08, 41-970-09

(a)	(b)	(c)	(d)	(e)	(f)	(g)	(h)	(i)	(j)	(k)
Key no.	GC Part Number	Description	No. Off	Makers part number which have a CG number	Maker's old part number which have since been changed	Maker's new part number which DO NOT have a GC number	M B F	Original Supplier	Original Supplier part number	Retail price excl. VAT
136	H03-697	Flue elbow gasket	1	BI1366 101			M			
		from serial no. N237051202 on M90D.24S, M90D.24SR								
		from serial no. N239471202 on M90D.28S, M90D.28SR								
137	E83-191	Fan, up to serial no. N237041202 on M90D.24S,	1	BI1336 104			B	LN di Natalini - Montecassiano Italy		
		M90D.24SR								
137	H03-699	Fan, from serial no. N237051202 on M90D.24S,	1	BI1366 102			B	FIME	GR02040 39W	
		M90D.24SR								
137 A	E83-193	Fan, up to serial no. N239461202 on M90D.28S,	1	BI1336 116			B	LN di Natalini - Montecassiano Italy		
		M90D.28SR								
137 A	H03-700	Fan, from serial no. N239471202 on M90D.28S,	1	BI1366 103			B	FIME	GR02045 47W	
		M90D.28SR								
138	409-720	Screw 3,5x6,5 mm AB self tapping BZP - RPH	3	KI1267 104			F			
139	E83-194	Air deflector right M90D.28S	1	BI1336 111			M			
140	E83-195	Flue sampling point connection	1	BI1336 109			M			
141	E83-196	Combustion chamber front panel M90D.24S, M90D.24SR	1	BI1326 101			M			
141 A	E83-197	Combustion chamber front panel	1	BI1326 102			M			
		up to serial no. N239461202 on M90D.28S, M90D.28SR								
141 A	H03-701	Combustion chamber front panel	1	BI1366 109			M			
		from serial no. N239471202 on M90D.28S, M90D.28SR								
142	409-721	Screw 4,2x13 mm B self tapping RPH BZP	3	BI1366 110			F			
143	H03-727	Flat gasket 3/8" O.D 15 mm, i.d. 8.5 mm	2	BI1202 105			M			
		up to serial no. N024590604								
143	H03-727	Flat gasket 3/8" O.D 15 mm, i.d. 8.5 mm	1	BI1202 105			M			
		from serial no. N024600604								
144	H06-023	Return group kit	1	BI1171 100			M			

