



# Spare Parts List

M96A.24SM/C

M96A.28SM/C

M96A.32SM/C

M96A.24SR/C

M96A.28SR/C

**Issue 02/2009**

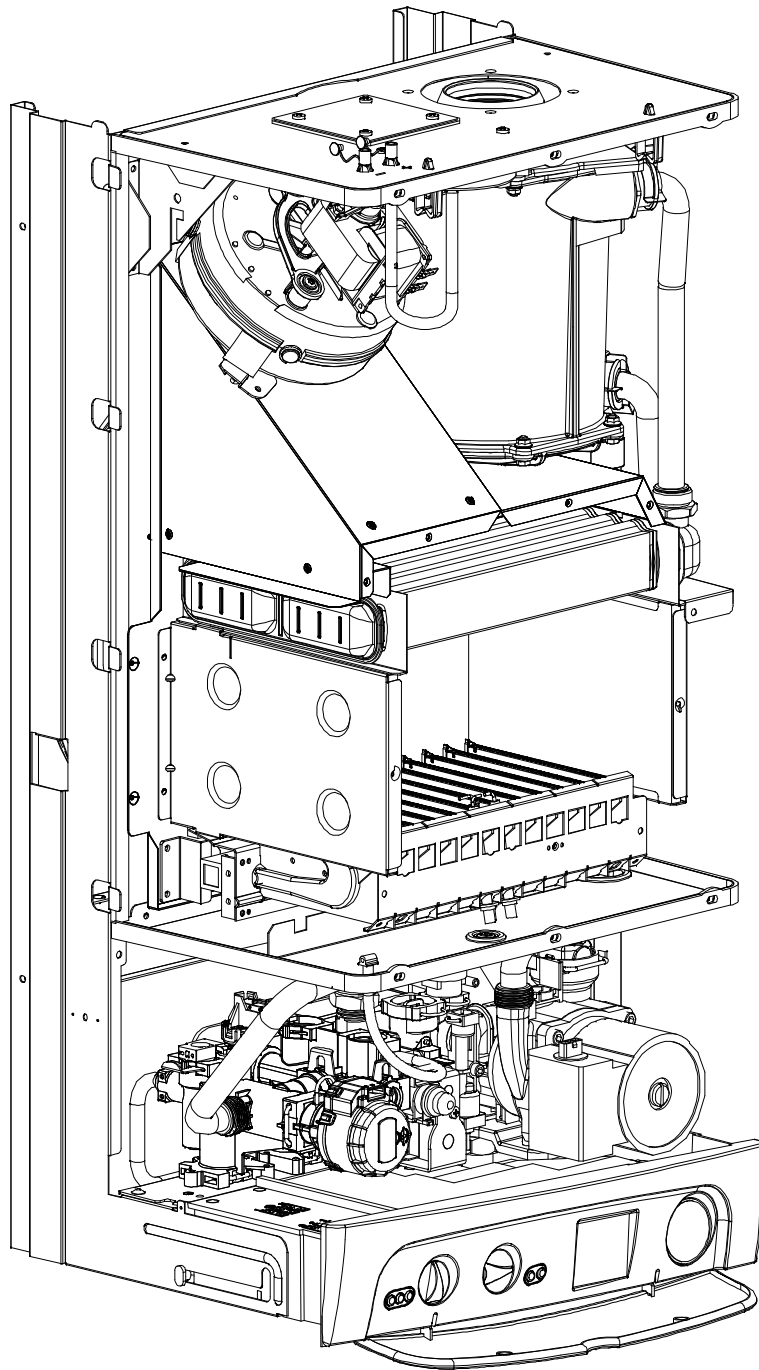
Table description	Issue	n. of pages
Overall view	12/2008	1
C.h. return group and d.h.w. heat exchanger	12/2008	1
C.h. flow group and three way diverter valve	12/2008	1
C.h. flow group and return groups	12/2008	1
Pump and main circuit assembly M96A.24SM/C, M96A.28SM/C, M96A.32SM/C	12/2008	1
Pump and main circuit assembly M96A.24SR/C, M96A.28SR/C	12/2008	1
Gas assembly	12/2008	1
Valves and connection pipes	12/2008	1
Control panel and ignition device	12/2008	1
Wiring	12/2008	1
Fan, combustion chamber and case panels	12/2008	1
List of parts M96A.24SM/C, M96A.28SM/C, M96A.32SM/C	02/2009	9
List of parts M96A.24SR/C, M96A.28SR/C	12/2008	7

M96A.24SM/C  
M96A.28SM/C  
M96A.32SM/C  
M96A.24SR/C  
M96A.28SR/C

47-583-17  
47-583-18  
47-583-19  
41-583-09  
41-583-10

Overall view

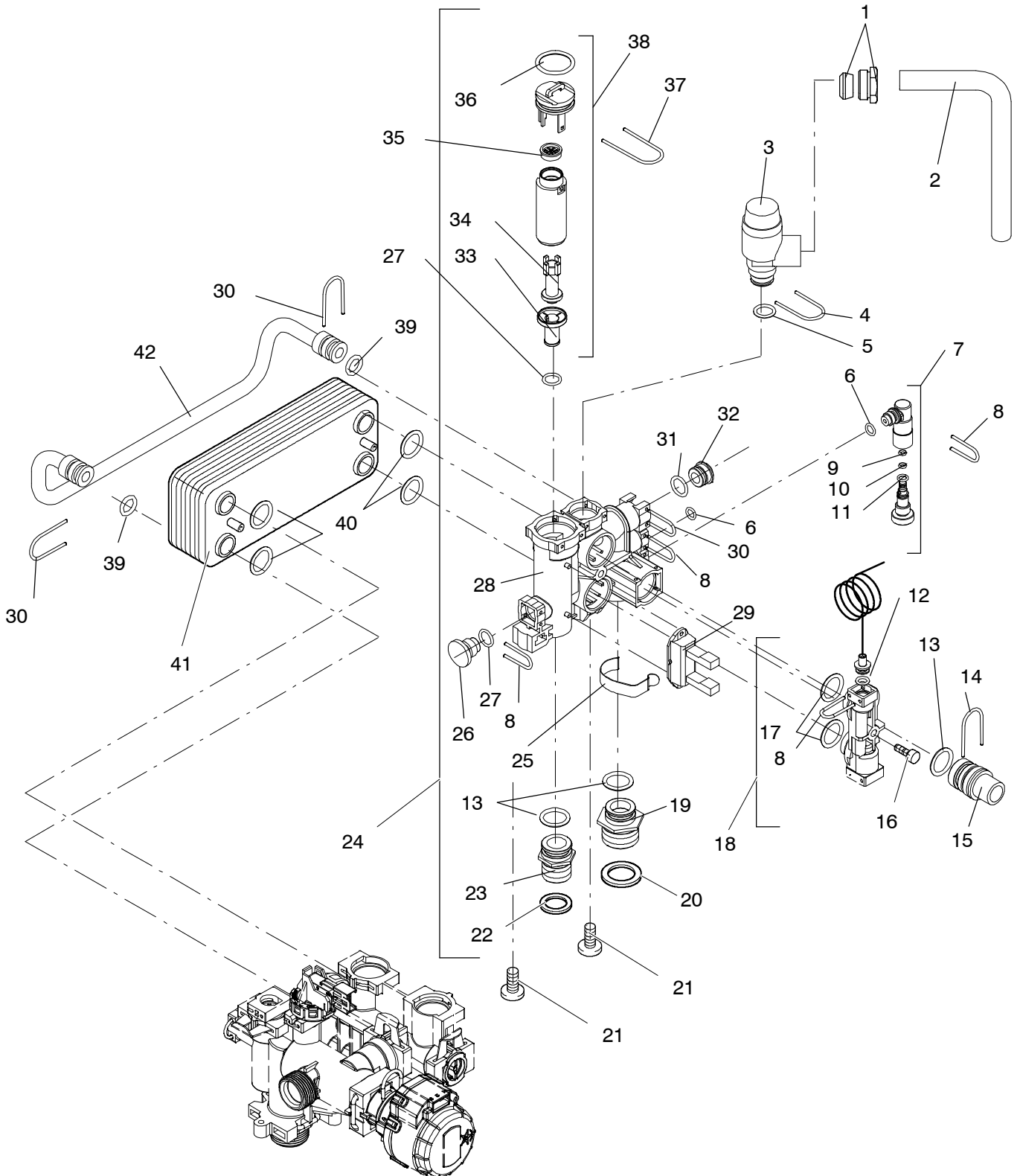
DATA BADGE: inner side of left case panel



M96A.24SM/C  
M96A.28SM/C  
M96A.32SM/C

47-583-17  
47-583-18  
47-583-19

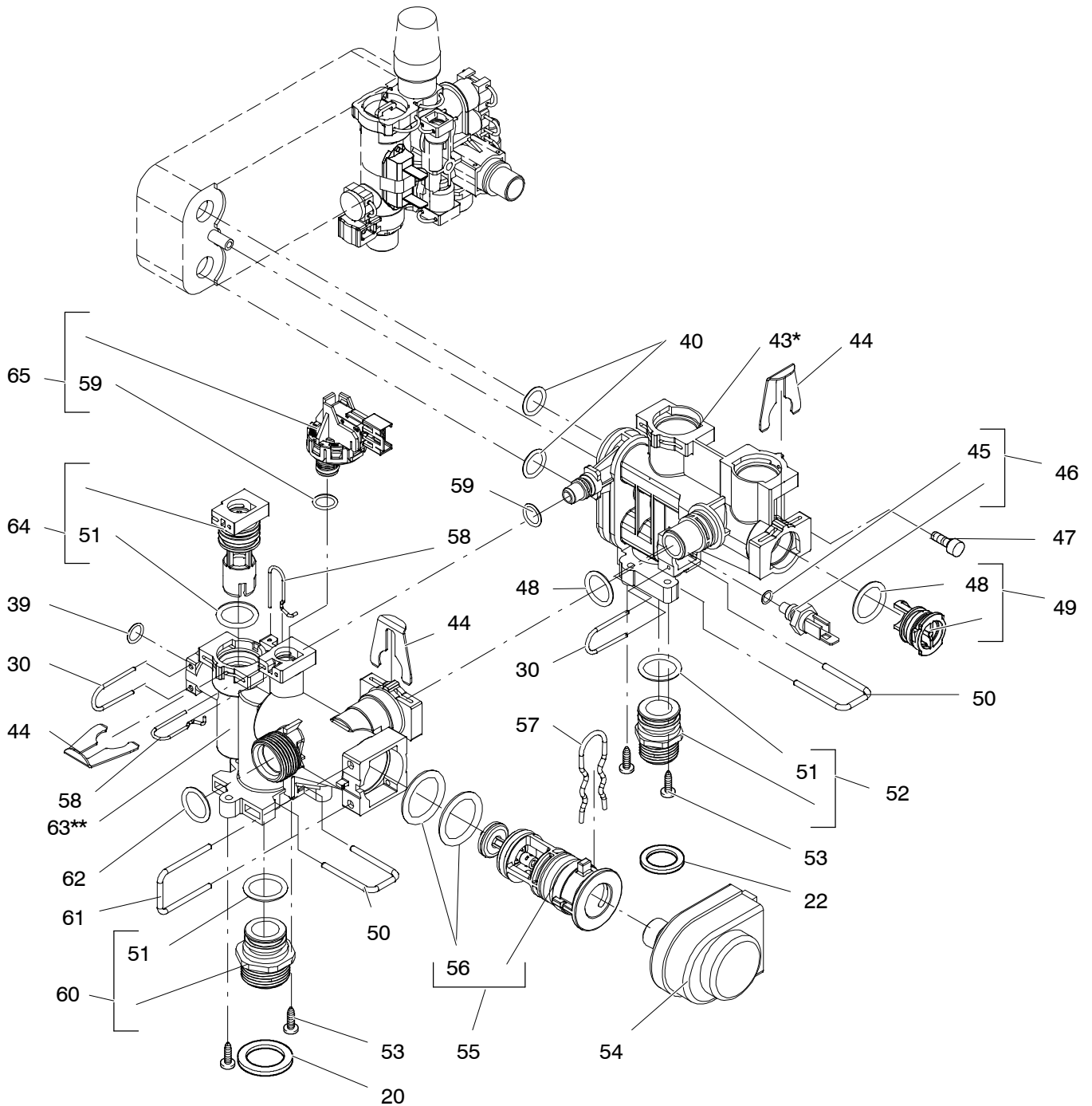
C.h. return group and d.h.w. heat exchanger



M96A.24SM/C  
M96A.28SM/C  
M96A.32SM/C

47-583-17  
47-583-18  
47-583-19

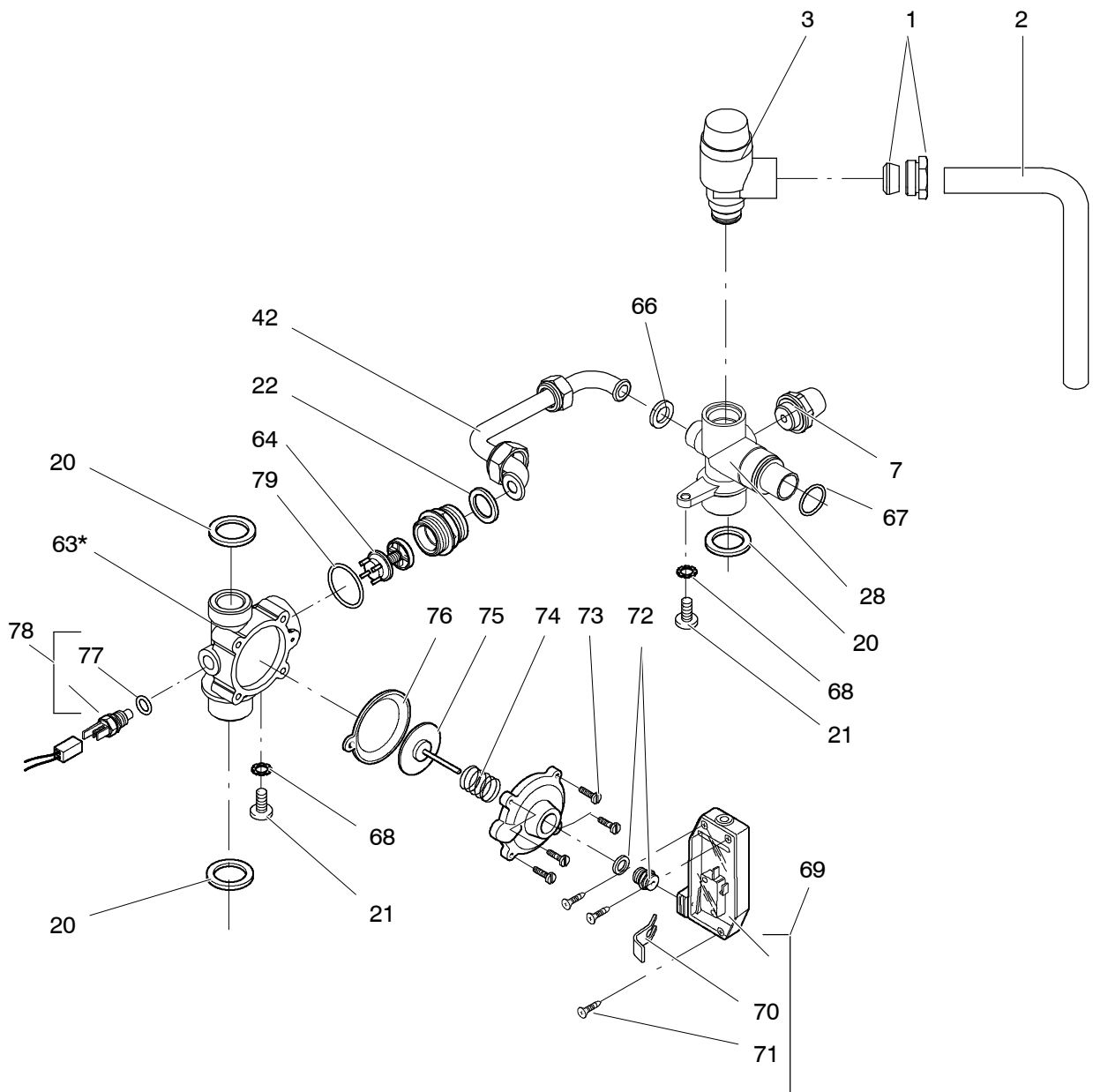
### C.h. flow group and three way diverter valve



\* Includes items 40, 45, 48, 51, 59

\*\* Includes items 62, 39, 48, 51, 56, 59

C.h. flow and return groups

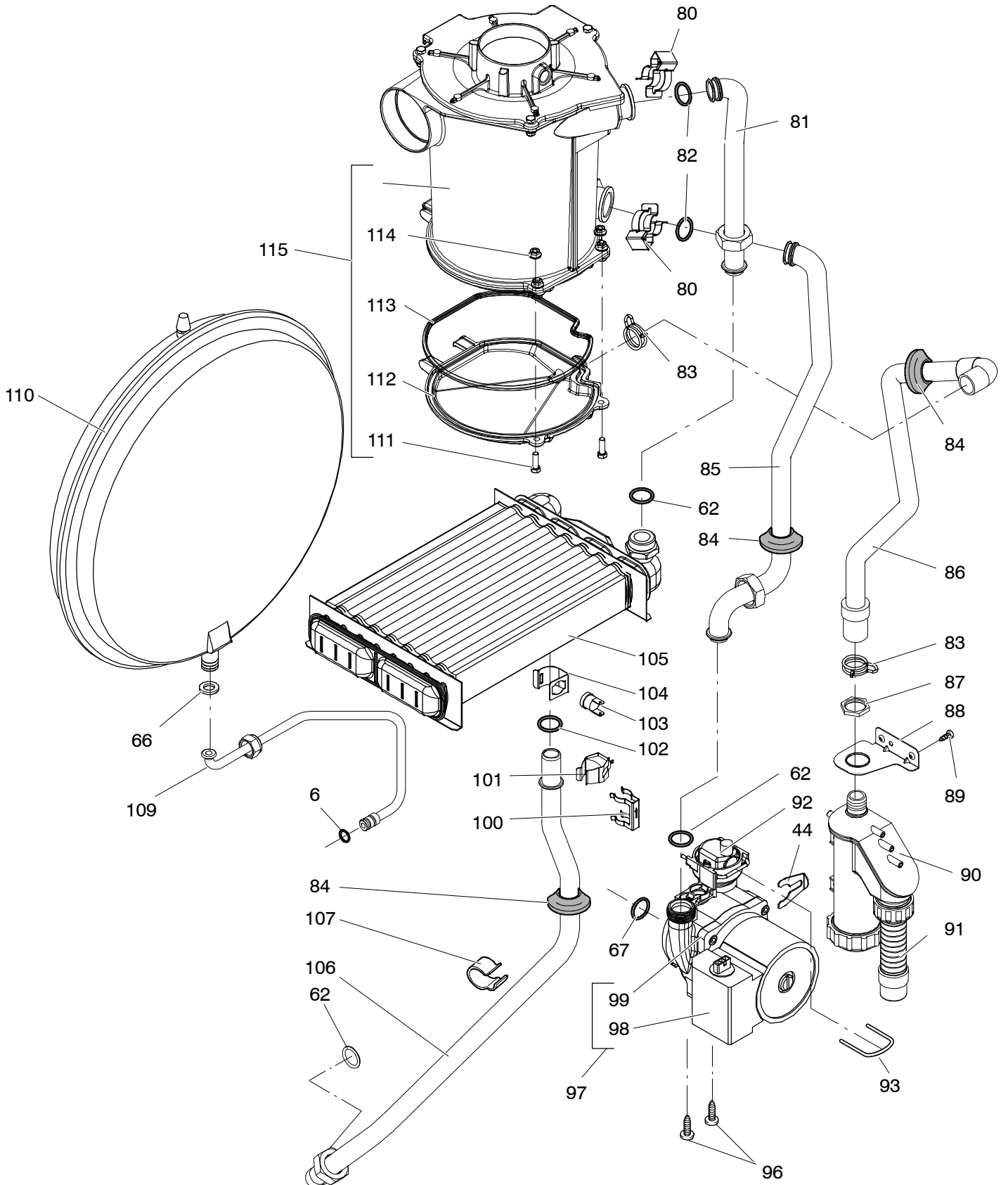


\* Includes items 79, 76, 75, 74, 73, 72, 64

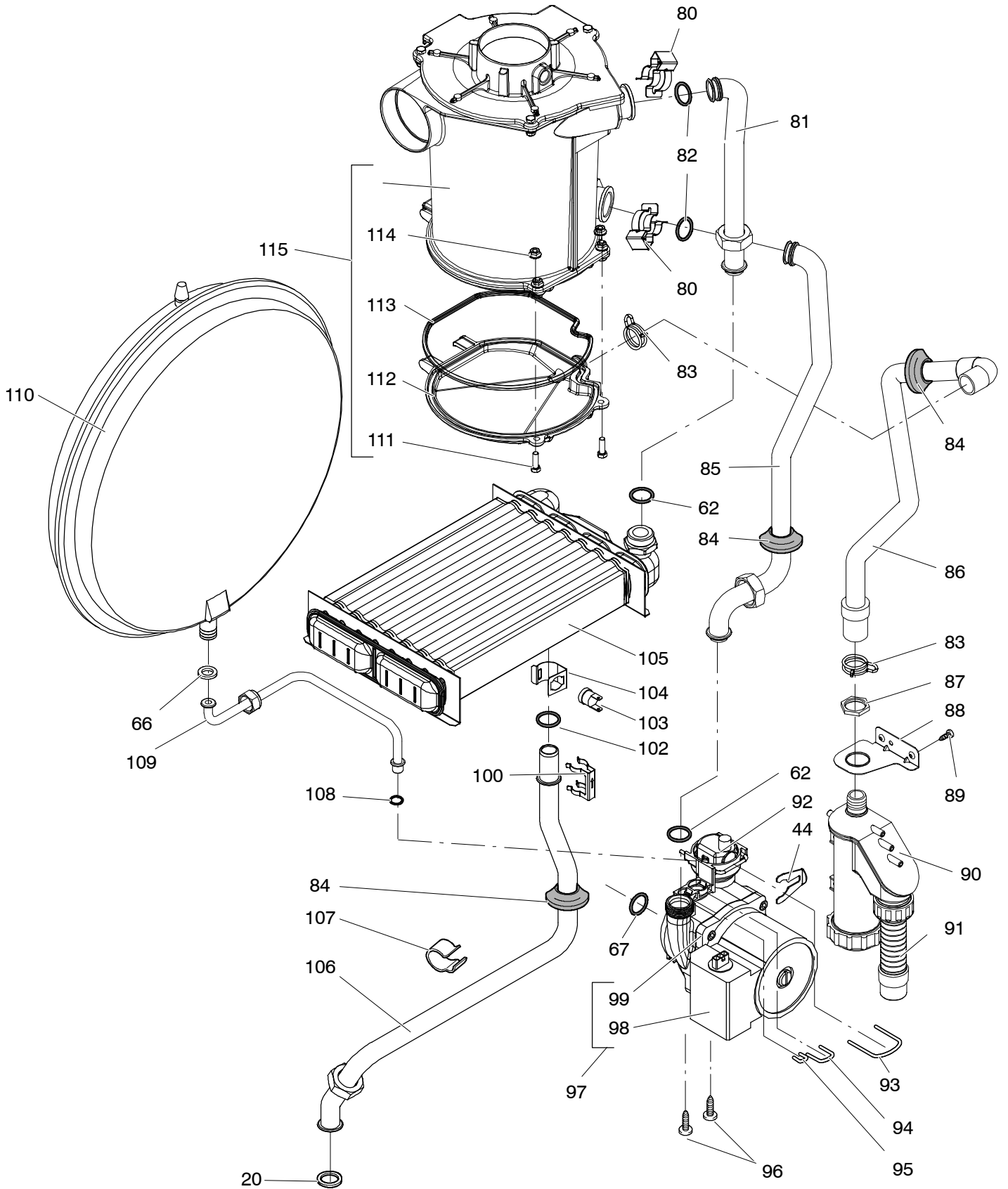
M96A.24SM/C  
M96A.28SM/C  
M96A.32SM/C

47-583-17  
47-583-18  
47-583-19

### Pump and main circuit assembly



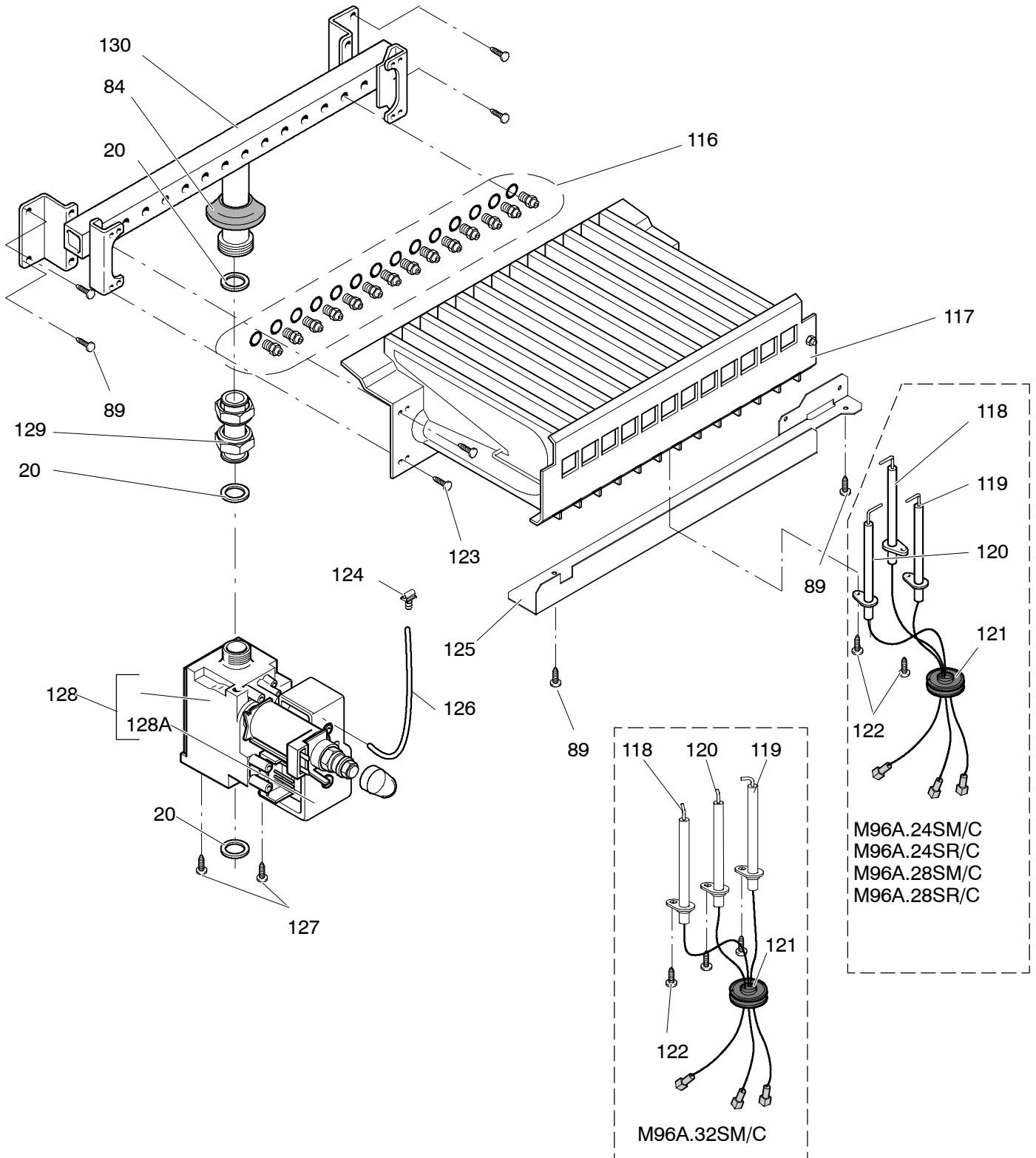
Pump and main circuit assembly



M96A.24SM/C  
M96A.28SM/C  
M96A.32SM/C  
M96A.24SR/C  
M96A.28SR/C

47-583-17  
47-583-18  
47-583-19  
41-583-09  
41-583-10

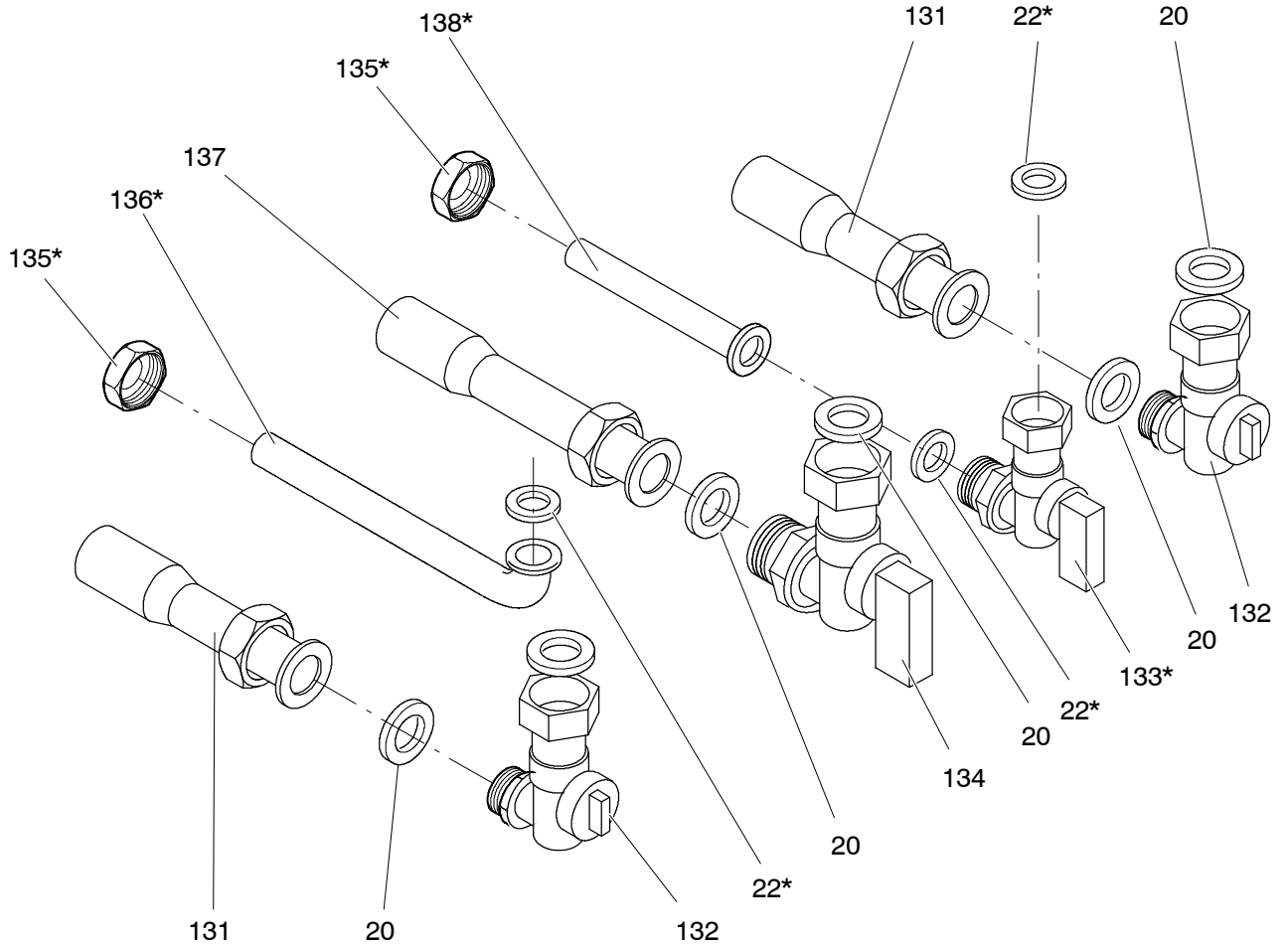
Gas assembly



M96A.24SM/C  
M96A.28SM/C  
M96A.32SM/C  
M96A.24SR/C  
M96A.28SR/C

47-583-17  
47-583-18  
47-583-19  
41-583-09  
41-583-10

### Valves and connection pipes

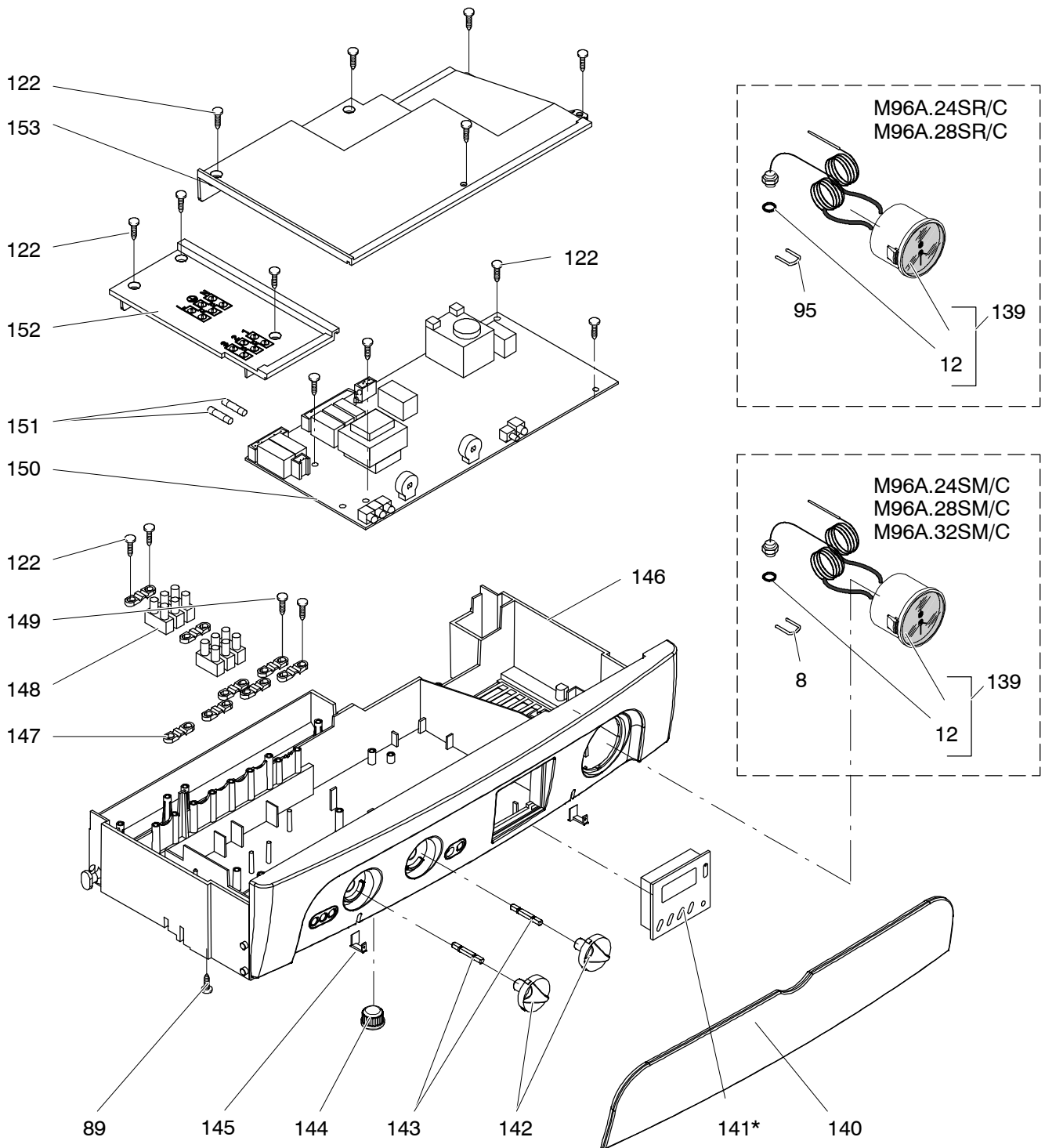


\* Not for model M96A.24SR/C, M96A.28SR/C

M96A.24SM/C  
M96A.28SM/C  
M96A.32SM/C  
M96A.24SR/C  
M96A.28SR/C

47-583-17  
47-583-18  
47-583-19  
41-583-09  
41-583-10

Control panel and ignition device

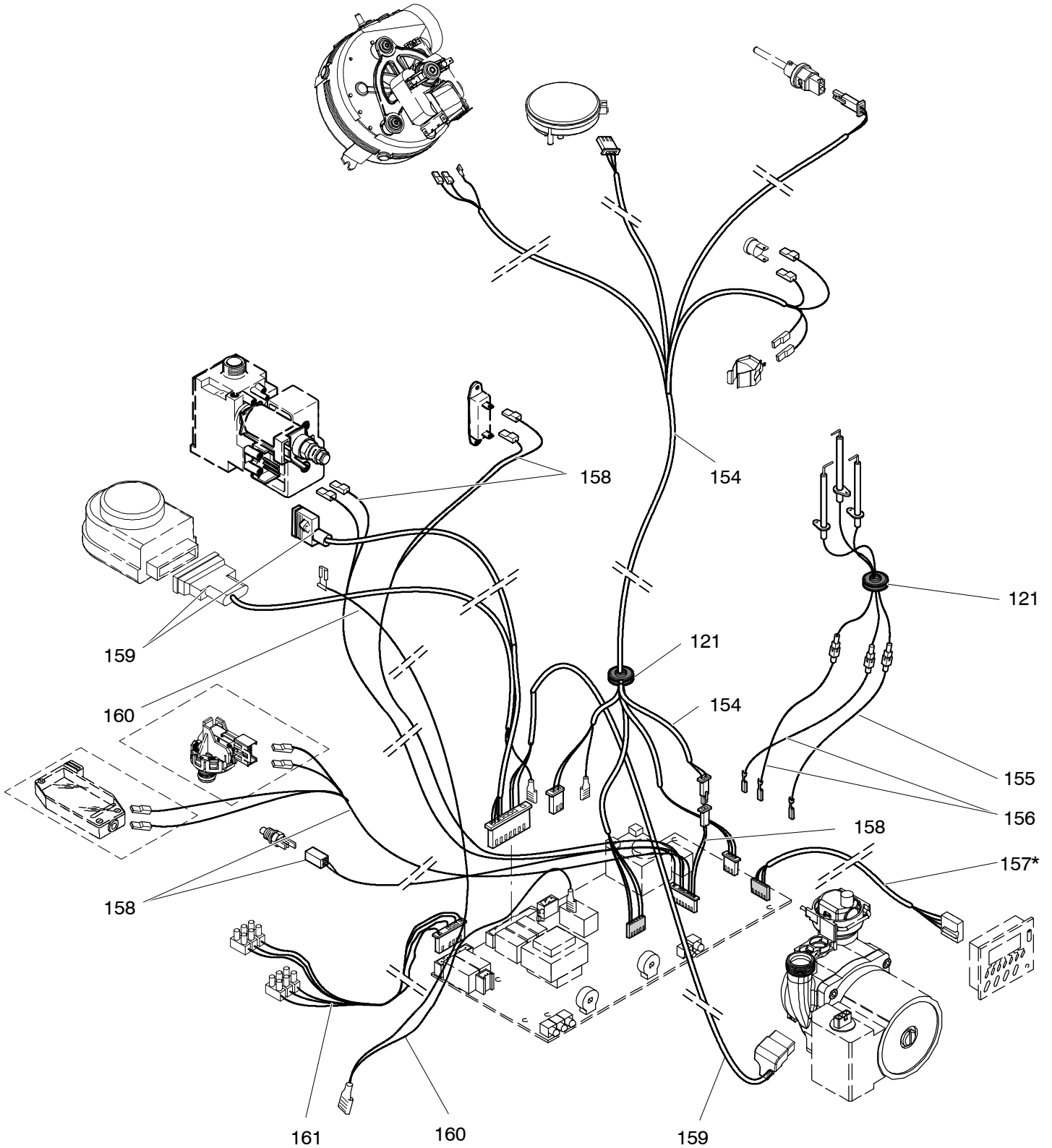


\* Not for model M96A.24SR/C, M96A.28SR/C

M96A.24SM/C  
M96A.28SM/C  
M96A.32SM/C  
M96A.24SR/C  
M96A.28SR/C

47-583-17  
47-583-18  
47-583-19  
41-583-09  
41-583-10

### Wiring

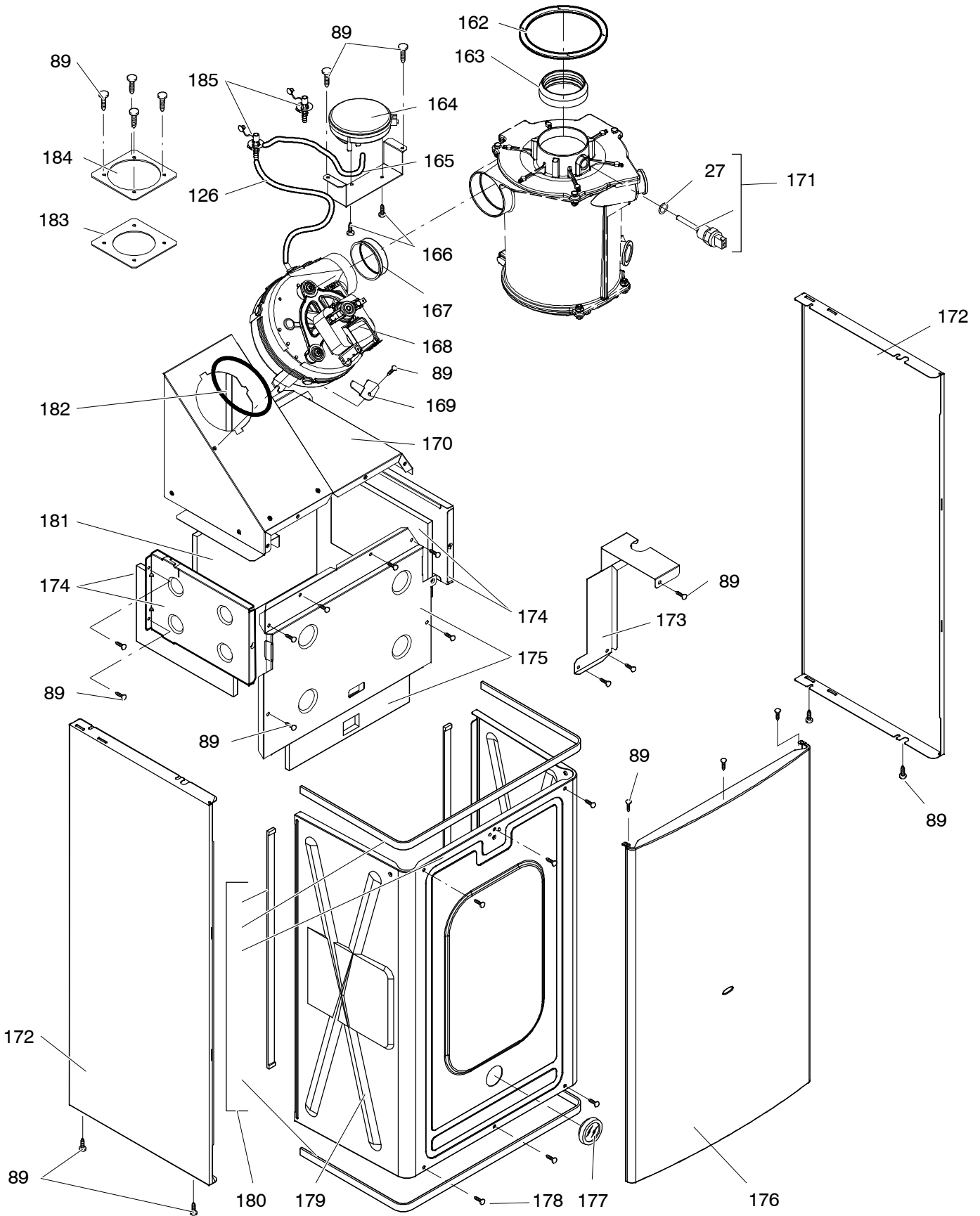


\* Not for model M96A.24SR/C, M96A.28SR/C

M96A.24SM/C  
M96A.28SM/C  
M96A.32SM/C  
M96A.24SR/C  
M96A.28SR/C

47-583-17  
47-583-18  
47-583-19  
41-583-09  
41-583-10

### Fan, combustion chamber and case panels



# DRAFT BRITISH GAS PART LIST

Date \_\_\_\_\_  
 Sheet  1  of  9   
 Manufacturer  Biasi SpA – Italy   
 Appliance(s)  M96A.24SM/C, M96A.28SM/C, M96A.32SM/C   
 GC Appliance Number(s)  47–583–17, 47–583–18, 47–583–19   
 Contract Name \_\_\_\_\_  
 Telephone Number \_\_\_\_\_

(a)	(b)	(c)	(d)	(e)	(f)	(g)	(h)	(i)	(j)	(k)
Key no.	GC Part Number	Description	No. Off	Makers part number which have a CG number	Maker's old part number which have since been changed	Maker's new part number which DO NOT have a GC number	M B F	Original Supplier	Original Supplier part number	Retail price excl. VAT
		Position of data badge: inner side of left case panel								
		Instructions booklets set	1			BI1913 513	M			
1	E23–759	Safety valve connection	1	BI1001 127			M			
2	H05–158	Safety valve connection pipe	1	BI1131 106			M			
3	H50–189	Safety valve 3 bar	1	BI1181 100			B	Watts Intermes	3 bar	
4	H50–480	Fork P.18,5	1	BI1181 101			M			
5	H50–481	O–ring gasket 2,62x15,08	1	BI1181 102			M			
6	H50–484	O–ring gasket 1,78x7,66	2	BI1182 108			M			
7	H50–398	Drainage valve	1	BI1181 501			M			
8	H50–473	Fork P.14	4	BI1181 107			M			
9	169–050	O–ring gasket 1,78x2,9	1	KI1043 145			M			
10	H50–488	O–ring gasket 1,78x3,69	1	BI1181 120			M			
11	169–014	O–ring gasket 1,78x6,07	1	KI1002 119			M			
12	E83–144	O–ring gasket 1,78 x 6,75	1	BI1475 119			M			
13	H50–467	O–ring gasket 2,62x17,13	3	BI1181 112			M			
14	169–026	Fork P.20.5	1	KI1031 101			M			
15	H50–487	Pump connection	1	BI1301 102			M			
16	H58–648	Screw M5x55 – Hexagon socket cap	1	BI1301 105			M			
17		O–ring gasket 3x17	2			KI1003 114	M			
18	H50–491	Filling group kit	1	BI1181 507			M			
19	H50–470	Threaded connection c.h.	1	BI1181 114			M			
20	169–033	Flat gasket 3/4"	9	BI1001 108			M			
21	402–325	Screw M6x10 – BZP RPH	2	BI1172 115			F			
22	169–141	Gasket 1/2"	3	BI1001 106			M			
23	H50–468	Threaded connection d.h.w.	1	BI1181 115			M			

# CONTINUATION SHEET

Sheet 2 of 9

Appliance number(s) 47-583-17, 47-583-18, 47-583-19

(a)	(b)	(c)	(d)	(e)	(f)	(g)	(h)	(i)	(j)	(k)
Key no.	GC Part Number	Description	No. Off	Makers part number which have a CG number	Maker's old part number which have since been changed	Maker's new part number which DO NOT have a GC number	M B F	Original Supplier	Original Supplier part number	Retail price excl. VAT
24	H50-492	Return group kit	1	BI1301 501			M			
25	H50-471	Reed fixing clip	1	BI1181 116			M			
26	H50-478	Return proup plug	1	BI1181 117			M			
27	H50-475	O-ring gasket 1,78x10,82	3	BI1181 110			M			
28	H50-399	Return group	1	BI1301 100			M			
29	169-010	D.h.w. flow switch	1	KI1042 107			M			
30	169-015	Fork P.14	3	KI1042 101			M			
31	E00-668	O-ring gasket 1,78x12,42	1	BI1001 115			M			
32	H50-482	Return group plug	1	BI1181 104			M			
33	H50-490	Filter	1	BI1181 106			M			
34	169-008	Float	1	KI1042 106			M			
35	H58-649	Flow limiter 10 Litres/min	1	BI1301 103			M			
35 A		Flow limiter 14 Litres/min	1			BI1301 106	M			
36	E00-680	O-ring gasket 2,62x23,47	1	BI1011 107			M			
37	H50-479	Fork P.20	1	BI1181 103			M			
38	H50-400	Magnetic flow switch and filter kit	1	BI1181 500			M			
39	164-036	O-ring gasket 2,62x10,78	1	KI1002 121			M			
40	169-060	O-ring gasket 18,64x3,53	4	KI1043 144			M			
41	E01-204	Exchanger DHW - M96A.24SM/C,	1	BI1001 101			M			
41 A	E01-205	Exchanger DHW - M96A.28SM/C, M96A.32SM/C	1	BI1001 102			M			
42		By-pass pipe	1			BI1301 107	M			
43		Flow group kit d.h.w.	1			BI1351 100	M			
44	H20-987	Pump connection fork	1	BI1262 116			M			
45		O-ring gasket 1,9x5,7	1			KI1042 102	M			
46		Temperature probe NTC d.h.w.	1			KI1042 501	M			

# CONTINUATION SHEET

Sheet 3 of 9

Appliance number(s) 47-583-17, 47-583-18, 47-583-19

(a)	(b)	(c)	(d)	(e)	(f)	(g)	(h)	(i)	(j)	(k)
Key no.	GC Part Number	Description	No. Off	Makers part number which have a CG number	Maker's old part number which have since been changed	Maker's new part number which DO NOT have a GC number	M B F	Original Supplier	Original Supplier part number	Retail price excl. VAT
47		Screw M5x35 – Hexagon socket cap	1			BI1351 101	F			
48		O–ring gasket 2,62x15,54	2			BI1351 102	M			
49		Flow group kit d.h.w. plug	1			BI1351 103	M			
50		Fork P21,6	2			BI1351 104	M			
51		O–ring gasket 2,62x17,96	3			BI1351 105	M			
52		Threaded connection d.h.w.	1			BI1351 106	M			
53		Tapping screw 5x12	4			BI1351 107	F			
54		Diverter valve actuator	1			BI1351 108	M			
55		Diverter valve kit	1			BI1351 109	M			
56		O–ring gasket 2,62x23,81	2			BI1351 110	M			
57		Diverter valve actuator fixing spring	1			BI1351 111	M			
58		Fork P11	2			BI1351 112	M			
59		O–ring gasket 1,90x8,90	1			BI1351 113	M			
60		Threaded connection c.h.	1			BI1351 114	M			
61		Fork P26	1			BI1351 115	M			
62	H20–981	O–ring gasket 1,9X16	2	BI1262 114			M			
63		Flow group kit c.h.	1			BI1351 116	M			
64		By–pass kit	1			BI1351 117	M			
65		Primary circuit pressure switch	1			BI1351 118	M			
66	H03–727	Flat gasket 3/8" O.D 15 mm, i.d. 8.5 mm	2	BI1202 105			M			
67	H20–945	O–ring gasket 17,04x4,00	5	BI1212 112			M			
80		Condensing heat exchanger connection clip	2			BI1432 106	M			
81		Condensing heat exchanger outlet pipe	1			BI1442 100	M			
82	H20–970	O–ring gasket 2,62x17.86	2	BI1262 112			M			
83	H20–972	Connection spring	2	BI1262 117			F			

# CONTINUATION SHEET

Sheet 4 of 9

Appliance number(s) 47-583-17, 47-583-18, 47-583-19

(a)	(b)	(c)	(d)	(e)	(f)	(g)	(h)	(i)	(j)	(k)
Key no.	GC Part Number	Description	No. Off	Makers part number which have a CG number	Maker's old part number which have since been changed	Maker's new part number which DO NOT have a GC number	M B F	Original Supplier	Original Supplier part number	Retail price excl. VAT
84	169-104	Grommet	4	BI1002 113			M			
85		Condensing heat exchanger inlet pipe	1			BI1442 101	M			
86		Condensate discharge pipe	1			BI1442 102	M			
87	169-142	Lock-nut	1	KI1005 107			M			
88		Condensate trap holder bracket	1			BI1442 103	M			
89	409-722	Tapping Screw ISO No8 B 4,2x9,5 Recessed Pan Head	34	BI1013 110			F			
		Hardened Steel BS4174 Bright Zinc plate BS1706 Clear								
		Passivated								
90		Condensate trap	1			BI1442 104	M			
91		Condensate connection hose	1			BI1442 105	M			
92	H20-986	Automatic air purger valve	1	BI1212 107			M			
93	H20-990	Fork	1	BI1262 120			M			
96	H20-992	Screw 5X16	2	BI1262 115			F			
97	H58-670	Pump (complete)	1	BI1911 103			M	Wilo	NFSL12/6HEP1 CRF9 83W	
98	H20-994	Pump (motor)	1	BI1262 119			B			
99	E83-114	Pump gasket	1	BI1172 113			M			
100	E94-737	Main exchanger connection clip	1	BI1182 106			M			
101		Spring mounting temperature probe	1			BI1442 106	M			
102	169-025	O-ring gasket 17,04x3,53	1	KI1043 114			M			
103	E83-101	Overheat thermostat	1	BI1172 105			B	Elth	261 105°C	
104	E94-723	Overheat thermostat fixing clip	1	BI1182 100			M			
105	H20-984	Main exchanger M96A.24SM/C	1	BI1262 101			M			
105 A	H45-158	Main exchanger M96A.28SM/C	1	BI1262 130			M			
105 B		Main exchanger M96A.32SM/C	1			BI1442 113	M			
106		Main exchanger outlet pipe	1			BI1442 110	M			

# CONTINUATION SHEET

Sheet 5 of 9

Appliance number(s) 47-583-17, 47-583-18, 47-583-19

(a)	(b)	(c)	(d)	(e)	(f)	(g)	(h)	(i)	(j)	(k)
Key no.	GC Part Number	Description	No. Off	Makers part number which have a CG number	Maker's old part number which have since been changed	Maker's new part number which DO NOT have a GC number	M B F	Original Supplier	Original Supplier part number	Retail price excl. VAT
107	169-045	Probe holder	1	BI1105 108			M			
109	H63-536	Expansion vessel connection pipe	1	BI1432 110			M			
110	E83-121	Expansion vessel M96A.24SM/C M96A.28SM/C	1	BI1172 103			B	Zilmet - Italy (alternative)	13C0000600	
110 A	E94-576	Expansion vessel M96A.32SM/C	1	BI1182 105			B	Zilmet - Italy (alternative)	13C0000600	
111		Screw M5x16 mm Hexagon head	1			BI1442 112	F			
112		Condensing heat exchanger bottom cover	1			BI1442 109	M			
113		Condensing heat exchanger gasket	1			BI1442 108	M			
114		Flanged nut M5 Hexagon	1			BI1442 111	F			
115		Condensing heat exchanger	1			BI1442 107	M			
116	169-069	Injectors with gaskets 130 - NG M96A.24SM/C	14	KI1064 505			B	Polidoro		
		M96A.28SM/C								
116 A	169-070	Injectors with gaskets 77 - LPG M96A.24SM/C	14	KI1064 506			B	Polidoro		
		M96A.28SM/C								
116 B		Injectors with gaskets 120 - NG M96A.32SM/C	15			BI1213 109	B	Polidoro		
116 C		Injectors with gaskets 78 - LPG M96A.32SM/C	15			BI1213 110	B	Polidoro		
117	173-148	Burner M96A.24SM/C	1	KI1004 102			B	Polidoro		
117 A	173-149	Burner M96A.28SM/C	1	KI1004 147			B	Polidoro		
117 B		Burner M96A.32SM/C	1			BI1213 108	B	Polidoro		
118	E83-122	Detection electrode M96A.24SM/C M96A.28SM/C	1	BI1123 102			M			
118 A	H05-183	Detection electrode M96A.32SM/C	1	BI1193 104			M			
119	E83-126	Ignition electrode - right M96A.24SM/C M96A.28SM/C	1	BI1123 103			M			
119 A	H05-185	Ignition electrode - right M96A.32SM/C	1	BI1193 103			M			
120	E83-127	Ignition electrode - left M96A.24SM/C M96A.28SM/C	1	BI1123 101			M			
120 A	H05-186	Ignition electrode - left M96A.32SM/C	1	BI1193 102			M			
121	169-125	Grommet	1	BI1002 115			M			

# CONTINUATION SHEET

Sheet 6 of 9

Appliance number(s) 47-583-17, 47-583-18, 47-583-19

(a)	(b)	(c)	(d)	(e)	(f)	(g)	(h)	(i)	(j)	(k)
Key no.	GC Part Number	Description	No. Off	Makers part number which have a CG number	Maker's old part number which have since been changed	Maker's new part number which DO NOT have a GC number	M B F	Original Supplier	Original Supplier part number	Retail price excl. VAT
122	409-736	Tapping screw 3,5x9,5 recessed pan head	28	BI1013 115			F			
123	409-531	Taptite screw M4x8 Recessed pan head Hardened steel	4	BI1013 111			F			
		Bright Zinc Plated BS3382 Clear passivated and lanolin								
		Dipped								
124		Compensating pressure sampling terminal	1			BI1213 105	M			
125		Air deflector	1			BI1213 104	M			
126	E83-188	Venturi device tube	1	BI1256 101			M			
127	402-124	Machine Screw M4x8 mm Recessed pan head Mild steel	2	BI1013 114			F			
		BS4183 Bright zinc plate BS3382 Clear passiv.								
128	H03-746	Gas valve	1	BI1193 105			B	Sit	0.845.083	
128 A	H08-602	Gas valve on-off operator coils		BI1093 107			B	Sit	0.967.158	
129	H21-019	Gas pipe to the manifold	1	BI1213 100			M			
130	E83-131	Gas manifold with injectors NG M96A.24SM/C	1	BI1183 103			B	Polidoro		
130 A	E83-132	Gas manifold with injectors LPG M96A.24SM/C	1	BI1183 104			B	Polidoro		
130 B	E83-133	Gas manifold with injectors NG M96A.28SM/C	1	BI1183 105			B	Polidoro		
130 C	E83-134	Gas manifold with injectors LPG M96A.28SM/C	1	BI1183 106			B	Polidoro		
130 D		Gas manifold with injectors NG M96A.32SM/C	1			BI1213 106	B	Polidoro		
130 E		Gas manifold with injectors LPG M96A.32SM/C	1			BI1213 107	B	Polidoro		
131	H21-025	C.h. connection pipe	2	BI1124 100			M			
132	E83-136	Tap 3/4" - c.h.	2	BI1084 105			B			
133	E83-137	Tap 1/2" - d.h.w.	1	BI1084 101			B			
134	E83-138	Tap 3/4" - gas	1	BI1084 100			B			
135	E01-226	Nut 1/2"	2	BI1004 101			M			
136	H21-027	Pipe 15 mm dia (bent) d.h.w.	1	BI1124 102			M			
137	E05-387	Pipe 22 mm dia gas	1	BI1014 112			M			

# CONTINUATION SHEET

Sheet 7 of 9

Appliance number(s) 47-583-17, 47-583-18, 47-583-19

(a)	(b)	(c)	(d)	(e)	(f)	(g)	(h)	(i)	(j)	(k)
Key no.	GC Part Number	Description	No. Off	Makers part number which have a CG number	Maker's old part number which have since been changed	Maker's new part number which DO NOT have a GC number	M B F	Original Supplier	Original Supplier part number	Retail price excl. VAT
138	H21-030	Pipe 15 mm dia (straight) d.h.w.	1	BI1124 103			M			
139	E83-145	Temperature-pressure gauge	1	BI1475 108			M			
140		Cover panel	1			BI1605 108	M			
141	E94-738	Time switch M96A.24SM/C, M96A.28SM/C, M96A.32SM/C	1	BI1525 101			B	Flash	Monotron 200 23011	
142	H27-577	Knob	2	BI1605 106			M			
143	E83-149	Shaft	2	BI1475 105			M			
144	E83-150	Control panel plug	1	BI1475 110			M			
145	H27-578	Hinge plugs (couple)	2	BI1605 107						
146		Control panel box M96A.24SM/C, M96A.28SM/C, M96A.32SM/C	1			BI1715 103	M			
147	E83-152	Cable holder.	10	KI1066 208			B	Fastpoint S.r.l.	1207.BB01 XS	
148	E83-153	Terminal block	2	BI1475 109			B	Elettrogibi	PA27	
								Odoardo Korner (alternative)	OK-433-FV	
149	409-727	Screw 3,5x16 mm self tap RPH	8	BI1165 101			F			
150		Electronic control - ignition p.c.b.	1			BI2015 100	M			
151	H44-170	Fuse 3,15AF	2	BI1295 108			B			
152	E83-155	Service panel cover	1	BI1475 111			M			
153	E83-156	Control panel cover	1	BI1475 112			M			
154		Fan cable	1			BI2025 100	M			
155		Flame detection electrode cable	1			BI1765 115	M			
156	H32-570	Ignition electrode cable	2	BI1765 102			M			
157		Time switch cable up to serial no. N050511108	1			BI2025 102	M			
	E83-163	Time switch cable from serial no. N050521108	1	BI1485 111			M			
158		Flow switches, temp. probes and modulator cable	1			BI2025 101	M			
159		Pump-diverter valve-gas valve cable	1			BI2025 103	M			

# CONTINUATION SHEET

Sheet 8 of 9

Appliance number(s) 47-583-17, 47-583-18, 47-583-19

(a)	(b)	(c)	(d)	(e)	(f)	(g)	(h)	(i)	(j)	(k)
Key no.	GC Part Number	Description	No. Off	Makers part number which have a CG number	Maker's old part number which have since been changed	Maker's new part number which DO NOT have a GC number	M B F	Original Supplier	Original Supplier part number	Retail price excl. VAT
160		Earth wiring	1			BI1765 121	M			
161	H39-041	Power supply and external control cable	1	BI1675 106			M			
162	169-110	Flue pipe gasket	1	BI1016 104			M			
163		Flue outlet gasket	1			BI1536 101	M			
164		Air pressure sensor	1			BI1536 103	B	Huba Control	401.93000	
165	E01-187	Flue pressure switch tube	1	BI1016 107			M			
166	E23-759	Screw 2,9x4,5 Recessend Pan Head Hardened Steel	2	BI1002 127			F			
		BS4174 Bright Zinc plate BS1706 Clear Passivated								
167		Fan outlet gasket	1			BI1536 102	M			
168		Fan M96A.24SM/C	1			BI1536 105	B	FIME	GR03630 47W	
168 A		Fan M96A.28SM/C	1			BI1536 106	B	FIME	GR03625 60W	
168 B		Fan M96A.32SM/C	1			BI1536 113	B	FIME	GR04015 80W	
169		Fan holder bracket	1			BI1536 107	M			
170		Flue hood M96A.24SM/C	1			BI1536108	M			
170 A		Flue hood M96A.28SM/C	1			BI1536 109	M			
170 B		Flue hood M96A.32SM/C	1			BI1536 114	M			
171		Flue temperature probe NTC	1			BI1536 104	M			
172	H21-052	Side case panel	2	BI1406 106			M			
173		Air deflector - right	1			BI1536 112	M			
174	E83-178	Combustion chamber side panel	2	BI1326 100			M			
175		Combustion chamber front panel M96A.24SM/C	1			BI1536 110	M			
175 A		Combustion chamber front panel M96A.28SM/C	1			BI1536 111	M			
		M96A.32SM/C								
176		Front case panel	1			BI1416 102	M			
177	E69-243	Window (glass + rubber frame)	1	BI1206 118			M			



# DRAFT BRITISH GAS PART LIST

Date \_\_\_\_\_  
 Sheet  1  of  7   
 Manufacturer  Biasi SpA – Italy   
 Appliance(s)  M96A.24SR/C, M96A.28SR/C,   
 GC Appliance Number(s)  41–583–09, 41–583–10,   
 Contract Name \_\_\_\_\_  
 Telephone Number \_\_\_\_\_

(a)	(b)	(c)	(d)	(e)	(f)	(g)	(h)	(i)	(j)	(k)
Key no.	GC Part Number	Description	No. Off	Makers part number which have a CG number	Maker's old part number which have since been changed	Maker's new part number which DO NOT have a GC number	M B F	Original Supplier	Original Supplier part number	Retail price excl. VAT
		Position of data badge: inner side of left case panel								
		Instructions booklets set	1			BI1913 514	M			
1	E23–759	Safety valve connection	1	BI1001 127			M			
2	H05–158	Safety valve connection pipe	1	BI1131 106			M			
3	E83–013	Safety valve 3 bar	1	BI1131 100			B	Watts Intermes	3 bar	
7	E00–669	Drainage valve	1	BI1011 104			B	Watts Intermes – Caldaro Italy	RSR8 1/4"	
12	E83–144	O–ring gasket 1,78 x 6,75	1	BI1475 119			M			
20	169–033	Flat gasket 3/4"	9	BI1001 108			M			
21	402–325	Screw M6x10 – BZP RPH	2	BI1172 115			F			
22	169–141	Gasket 1/2"	3	BI1001 106			M			
27	H50–475	O–ring gasket 1,78x10,82	3	BI1181 110			M			
28	H46–401	Return group kit	1	BI1171 105			M			
42	H63–681	By–pass pipe	1	BI1171 106			M			
44	H20–987	Pump connection fork	1	BI1262 116			M			
62	H20–981	O–ring gasket 1,9X16	2	BI1262 114			M			
63	H27–556	Flow group kit	1	BI1171 103			M			
64	H20–966	By–pass kit	1	BI1141 505			M			
66	H03–727	Flat gasket 3/8" O.D 15 mm, i.d. 8.5 mm	2	BI1202 105			M			
67	H20–945	O–ring gasket 17,04x4,00	5	BI1212 112			M			
68	E23–757	Toothed lock washer external 6,4 mm	2	BI1001 124			F			
69	E00–684	Microswitch kit	1	BI1011 505			M			
70	E00–683	Microswitch box fixing clip	1	BI1011 105			M			
71	E00–682	Screw 2,9x13 mm AB self tapping BZP – RCH	3	BI1011 108			F			
72	E00–681	Microswitch guide bush	1	BI1011 502			M			
73	E00–685	Screw M4x12 mm Stainless steel SCH	4	BI1011 109			F			

# CONTINUATION SHEET

Sheet 2 of 7

Appliance number(s) 41-583-09, 41-583-10,

(a)	(b)	(c)	(d)	(e)	(f)	(g)	(h)	(i)	(j)	(k)
Key no.	GC Part Number	Description	No. Off	Makers part number which have a CG number	Maker's old part number which have since been changed	Maker's new part number which DO NOT have a GC number	M B F	Original Supplier	Original Supplier part number	Retail price excl. VAT
74	E00-686	Central heating pressure switch spring	1	BI1011 110			M			
75	E00-687	Central heating pressure switch disk	1	BI1011 111			M			
76	E00-688	Central heating pressure switch membrane	1	BI1011 103			M			
77	H23-733	O-ring gasket 9,25x1,78 (NTC)	1	KI1001 128			M			
78	164-026	Temperature probe	1	BI1001 117			M			
79	E00-680	O-ring gasket 2,62x23,47	1	BI1011 107			M			
80		Condensing heat exchanger connection clip	2			BI1432 106	M			
81		Condensing heat exchanger outlet pipe	1			BI1442 100	M			
82	H20-970	O-ring gasket 2,62x17,86	2	BI1262 112			M			
83	H20-972	Connection spring	2	BI1262 117			F			
84	169-104	Grommet	4	BI1002 113			M			
85		Condensing heat exchanger inlet pipe	1			BI1442 101	M			
86		Condensate discharge pipe	1			BI1442 102	M			
87	169-142	Lock-nut	1	KI1005 107			M			
88		Condensate trap holder bracket	1			BI1442 103	M			
89	409-722	Tapping Screw ISO No8 B 4,2x9,5 Recessed Pan Head	34	BI1013 110			F			
		Hardened Steel BS4174 Bright Zinc plate BS1706 Clear								
		Passivated								
90		Condensate trap	1			BI1442 104	M			
91		Condensate connection hose	1			BI1442 105	M			
92	H20-986	Automatic air purger valve	1	BI1212 107			M			
93	H20-990	Fork	1	BI1262 120			M			
94	169-015	Fork	1	KI1042 101			M			
95	169-040	Fork	1	KI1042 115			M			
96	H20-992	Screw 5X16	2	BI1262 115			F			

# CONTINUATION SHEET

Sheet 3 of 7

Appliance number(s) 41-583-09, 41-583-10,

(a)	(b)	(c)	(d)	(e)	(f)	(g)	(h)	(i)	(j)	(k)
Key no.	GC Part Number	Description	No. Off	Makers part number which have a CG number	Maker's old part number which have since been changed	Maker's new part number which DO NOT have a GC number	M B F	Original Supplier	Original Supplier part number	Retail price excl. VAT
97	H20-993	Pump (complete)	1	BI1262 103			M	Wilo	NFSL12/6-1 HE CRF9-S 82W	
98	H20-994	Pump (motor)	1	BI1262 119			B			
99	E83-114	Pump gasket	1	BI1172 113			M			
100	E94-737	Main exchanger connection clip	1	BI1182 106			M			
102	169-025	O-ring gasket 17,04x3,53	1	KI1043 114			M			
103	E83-101	Overheat thermostat	1	BI1172 105			B	Elth	261 105°C	
104	E94-723	Overheat thermostat fixing clip	1	BI1182 100			M			
105	H20-984	Main exchanger M96A.24SR/C	1	BI1262 101			M			
105 A	H45-158	Main exchanger M96A.28SR/C	1	BI1262 130			M			
106	H27-563	Main exchanger outlet pipe	1	BI1262 121			M			
107	169-045	Probe holder	1	BI1105 108			M			
108	H20-996	O-ring gasket 2,62X9,92	1	BI1262 113			M			
109	H20-997	Expansion vessel connection pipe	1	BI1262 105			M			
110	E83-121	Expansion vessel M96A.24SR/C M96A.28SR/C	1	BI1172 103			B	Zilmet - Italy (alternative)	13C0000600	
111		Screw M5x16 mm Hexagon head	1			BI1442 112	F			
112		Condensing heat exchanger bottom cover	1			BI1442 109	M			
113		Condensing heat exchanger gasket	1			BI1442 108	M			
114		Flanged nut M5 Hexagon	1			BI1442 111	F			
115		Condensing heat exchanger	1			BI1442 107	M			
116	169-069	Injectors with gaskets 130 - NG M96A.24SR/C	14	KI1064 505			B	Polidoro		
		M96A.28SR/C								
116 A	169-070	Injectors with gaskets 77 - LPG M96A.24SR/C	14	KI1064 506			B	Polidoro		
		M96A.28SR/C								
117	173-148	Burner M96A.24SR/C	1	KI1004 102			B	Polidoro		
117 A	173-149	Burner M96A.28SR/C	1	KI1004 147			B	Polidoro		

# CONTINUATION SHEET

Sheet 4 of 7

Appliance number(s) 41-583-09, 41-583-10,

(a)	(b)	(c)	(d)	(e)	(f)	(g)	(h)	(i)	(j)	(k)
Key no.	GC Part Number	Description	No. Off	Makers part number which have a CG number	Maker's old part number which have since been changed	Maker's new part number which DO NOT have a GC number	M B F	Original Supplier	Original Supplier part number	Retail price excl. VAT
118	E83-122	Detection electrode	1	BI1123 102			M			
119	E83-126	Ignition electrode – right	1	BI1123 103			M			
120	E83-127	Ignition electrode – left	1	BI1123 101			M			
121	169-125	Grommet	1	BI1002 115			M			
122	409-736	Tapping screw 3,5x9,5 recessed pan head	28	BI1013 115			F			
123	409-531	Taptite screw M4x8 Recessed pan head Hardened steel	4	BI1013 111			F			
		Bright Zinc Plated BS3382 Clear passivated and lanolin								
		Dipped								
124		Compensating pressure sampling terminal	1			BI1213 105	M			
125		Air deflector	1			BI1213 104	M			
126	E83-188	Venturi device tube	1	BI1256 101			M			
127	402-124	Machine Screw M4x8 mm Recessed pan head Mild steel	2	BI1013 114			F			
		BS4183 Bright zinc plate BS3382 Clear passiv.								
128	H03-746	Gas valve	1	BI1193 105			B	Sit	0.845.083	
128 A	H08-602	Gas valve on-off operator coils		BI1093 107			B	Sit	0.967.158	
129	H21-019	Gas pipe to the manifold	1	BI1213 100			M			
130	E83-131	Gas manifold with injectors NG M96A.24SR/C	1	BI1183 103			B	Polidoro		
130 A	E83-132	Gas manifold with injectors LPG M96A.24SR/C	1	BI1183 104			B	Polidoro		
130 B	E83-133	Gas manifold with injectors NG M96A.28SR/C	1	BI1183 105			B	Polidoro		
130 C	E83-134	Gas manifold with injectors LPG M96A.28SR/C	1	BI1183 106			B	Polidoro		
131	H21-025	C.h. connection pipe	2	BI1124 100			M			
132	E83-136	Tap 3/4" – c.h.	2	BI1084 105			B			
134	E83-138	Tap 3/4" – gas	1	BI1084 100			B			
137	E05-387	Pipe 22 mm dia gas	1	BI1014 112			M			
139	E83-145	Temperature-pressure gauge	1	BI1475 108			M			

# CONTINUATION SHEET

Sheet 5 of 7

Appliance number(s) 41-583-09, 41-583-10,

(a)	(b)	(c)	(d)	(e)	(f)	(g)	(h)	(i)	(j)	(k)
Key no.	GC Part Number	Description	No. Off	Makers part number which have a CG number	Maker's old part number which have since been changed	Maker's new part number which DO NOT have a GC number	M B F	Original Supplier	Original Supplier part number	Retail price excl. VAT
140		Cover panel	1			BI1605 108	M			
142	H27-577	Knob	2	BI1605 106			M			
143	E83-149	Shaft	2	BI1475 105			M			
144	E83-150	Control panel plug	1	BI1475 110			M			
145	H27-578	Hinge plugs (couple)	2	BI1605 107						
146		Control panel box M96A.24SR/C, M96A.28SR/C	1			BI1715 104	M			
147	E83-152	Cable holder.	10	KI1066 208			B	Fastpoint S.r.l.	1207.BB01 XS	
148	E83-153	Terminal block	2	BI1475 109			B	Elettrogibi	PA27	
								Odoardo Korner (alternative)	OK-433-FV	
149	409-727	Screw 3,5x16 mm self tap RPH	8	BI1165 101			F			
150		Electronic control - ignition p.c.b.	1			BI2015 100	M			
151	H44-170	Fuse 3,15AF	2	BI1295 108			B			
152	E83-155	Service panel cover	1	BI1475 111			M			
153	E83-156	Control panel cover	1	BI1475 112			M			
154		Fan cable	1			BI2025 106	M			
155		Flame detection electrode cable	1			BI1765 115	M			
156	H32-570	Ignition electrode cable	2	BI1765 102			M			
	E83-163	Time switch cable from serial no. N050521108	1	BI1485 111			M			
158	H46-380	Flow switch, temp. probe and modulator cable	1	BI1765 106			M			
159		Pump-gas valve cable	1			BI2025 105	M			
160		Earth wiring	1			BI1765 121	M			
161	H39-041	Power supply and external control cable	1	BI1675 106			M			
162	169-110	Flue pipe gasket	1	BI1016 104			M			
163		Flue outlet gasket	1			BI1536 101	M			
164		Air pressure sensor	1			BI1536 103	B	Huba Control	401.93000	

# CONTINUATION SHEET

Sheet 6 of 7

Appliance number(s) 41-583-09, 41-583-10,

(a)	(b)	(c)	(d)	(e)	(f)	(g)	(h)	(i)	(j)	(k)
Key no.	GC Part Number	Description	No. Off	Makers part number which have a CG number	Maker's old part number which have since been changed	Maker's new part number which DO NOT have a GC number	M B F	Original Supplier	Original Supplier part number	Retail price excl. VAT
165	E01-187	Flue pressure switch tube	1	BI1016 107			M			
166	E23-759	Screw 2,9x4,5 Recessend Pan Head Hardened Steel	2	BI1002 127			F			
		BS4174 Bright Zinc plate BS1706 Clear Passivated								
167		Fan outlet gasket	1			BI1536 102	M			
168		Fan M96A.24SR/C	1			BI1536 105	B	FIME	GR03630 47W	
168 A		Fan M96A.28SR/C	1			BI1536 106	B	FIME	GR03625 60W	
169		Fan holder bracket	1			BI1536 107	M			
170		Flue hood M96A.24SR/C	1			BI1536108	M			
170 A		Flue hood M96A.28SR/C	1			BI1536 109	M			
171		Flue temperature probe NTC	1			BI1536 104	M			
172	H21-052	Side case panel	2	BI1406 106			M			
173		Air deflector - right	1			BI1536 112	M			
174	E83-178	Combustion chamber side panel	2	BI1326 100			M			
175		Combustion chamber front panel M96A.24SR/C	1			BI1536 110	M			
175 A		Combustion chamber front panel M96A.28SR/C	1			BI1536 111	M			
176		Front case panel	1			BI1416 102	M			
177	E69-243	Window (glass + rubber frame)	1	BI1206 118			M			
178	409-747	Screw 4,8x13 mm AB self tapping RPH BZP	4	BI1336 114			F			
179	H21-059	Sealed chamber lid	1	BI1406 105			M			
180	H21-060	Sealed chamber gaskets kit	1	BI1406 500			M			
181	E83-180	Combustion chamber rear panel M96A.24SR/C	1	BI1326 107			M			
181 A	E83-181	Combustion chamber rear panel M96A.28SR/C	1	BI1326 108			M			
182	H21-063	Fan inlet gasket	1	BI1406 111			M			
183	H21-070	Air restrictor d. 50	1	BI1406 115			M			
183 A	H21-071	Air restrictor d. 55	1	BI1406 116			M			

