



Spare Parts List

M96A.24SM/C

M96A.28SM/C

Issue 09/2008

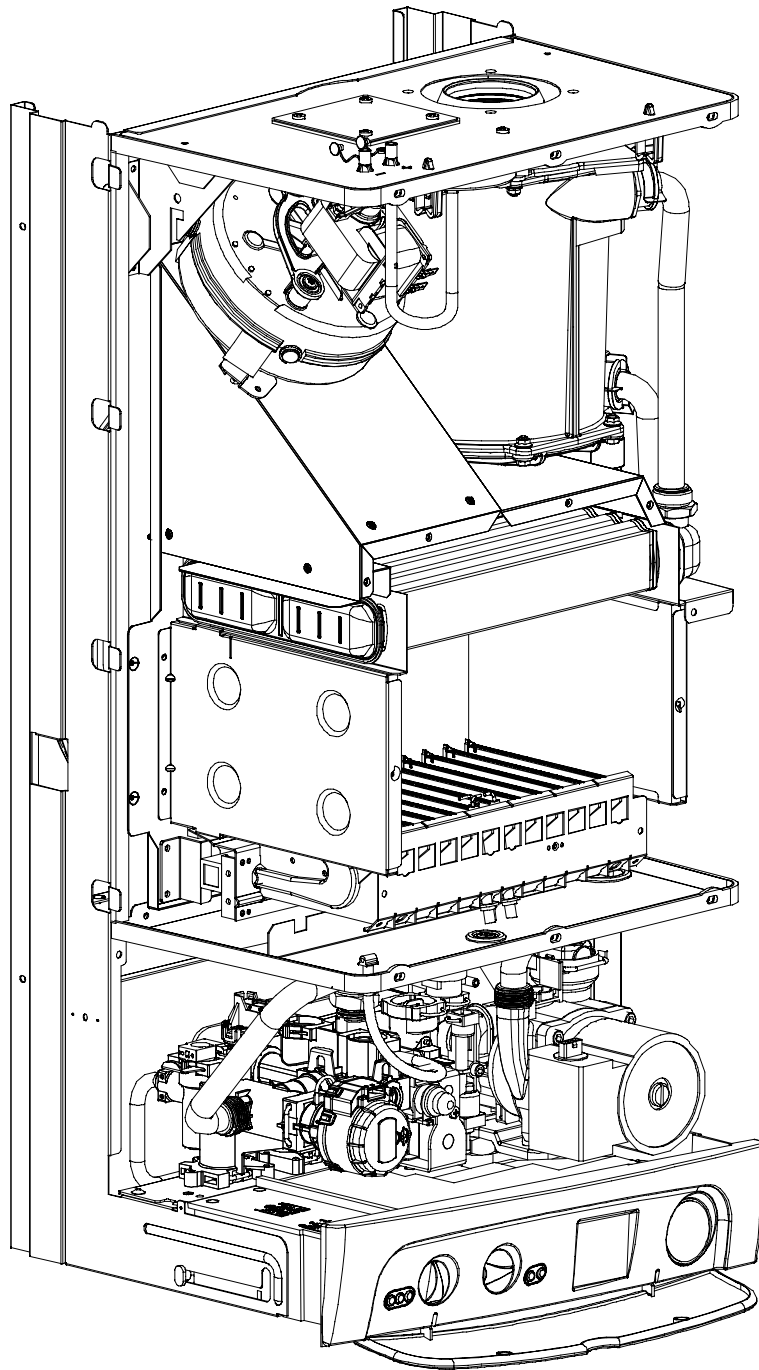
Table description	Issue	n. of pages
Overall view	09/2008	1
C.h. return group and d.h.w. heat exchanger	09/2008	1
C.h. flow group and three way diverter valve	09/2008	1
Pump and main circuit assembly	09/2008	1
Gas assembly	09/2008	1
Valves and connection pipes	09/2008	1
Control panel and ignition device	09/2008	1
Wiring	09/2008	1
Fan, combustion chamber and case panels	09/2008	1
List of partss	09/2008	8

M96A.24SM/C
M96A.28SM/C

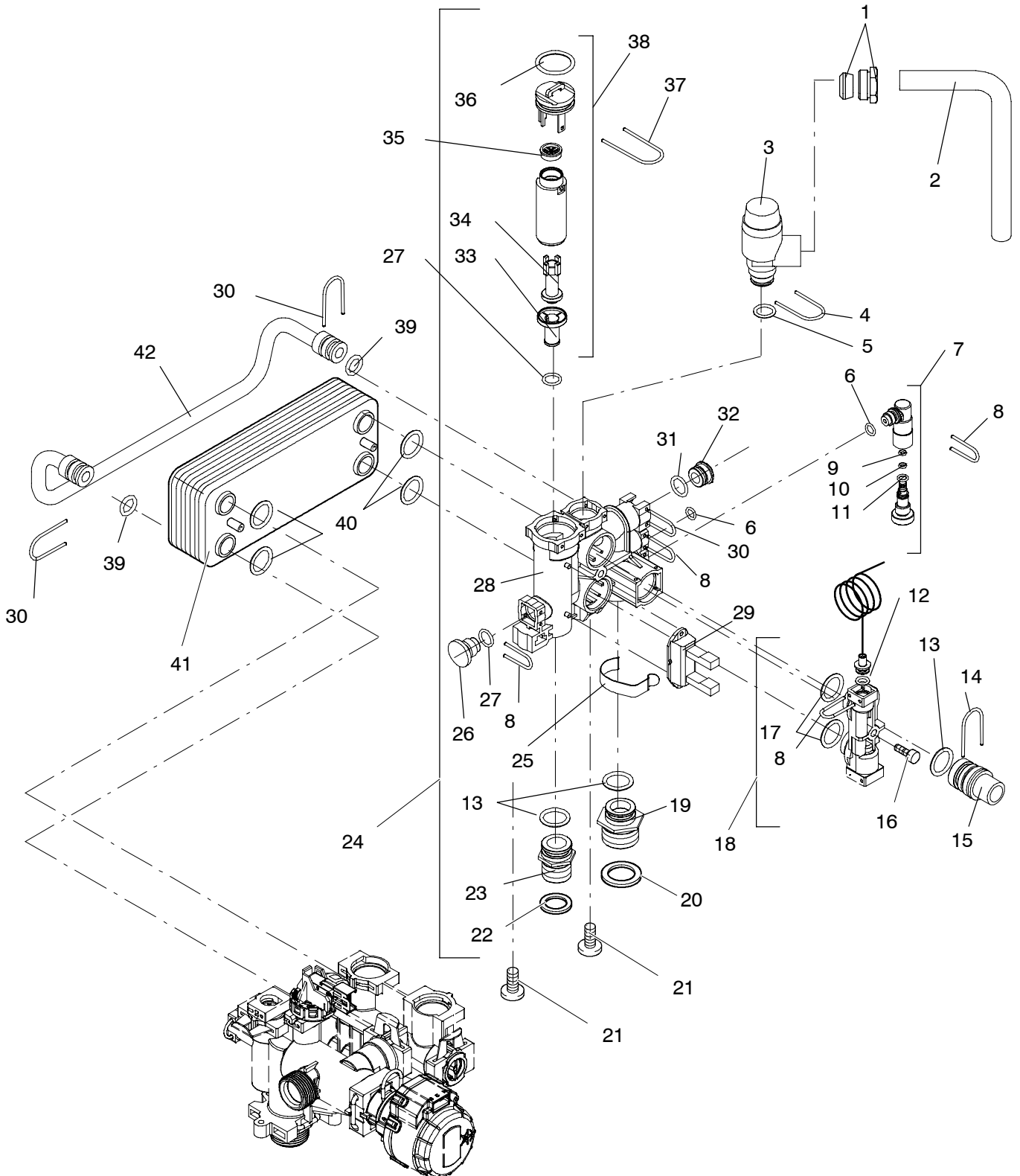
47-583-17
47-583-18

Overall view

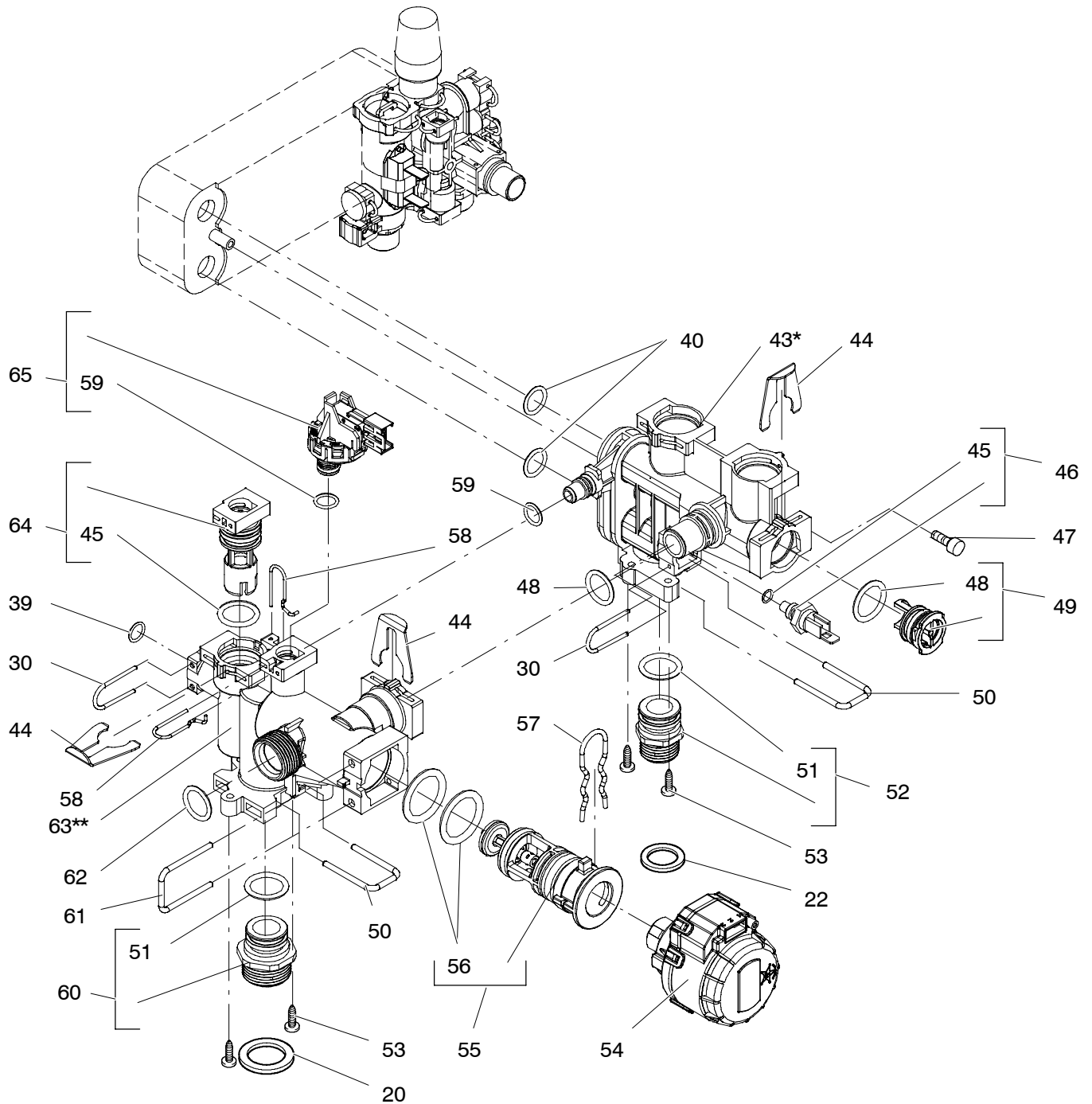
DATA BADGE: inner side of left case panel



C.h. return group and d.h.w. heat exchanger



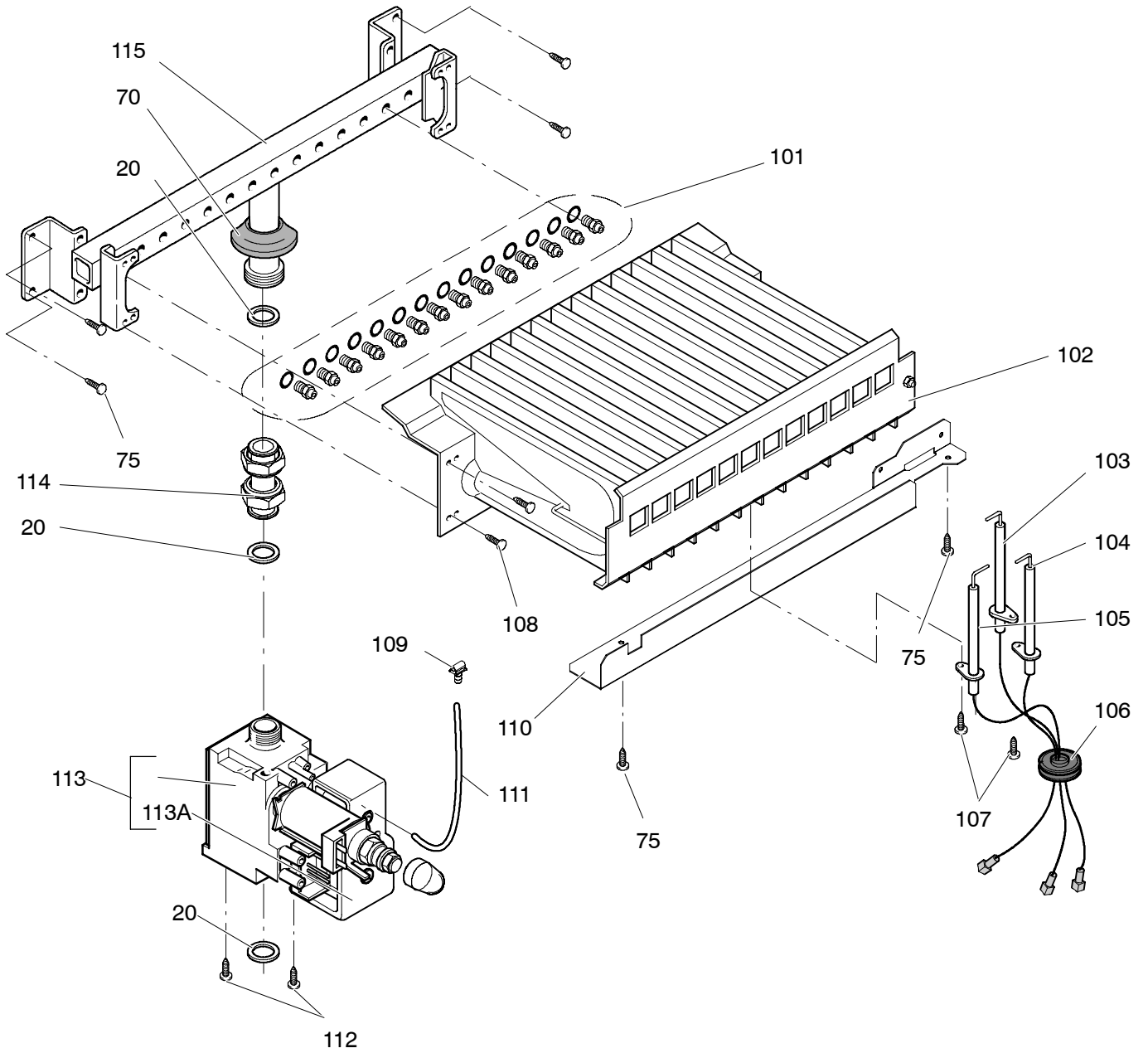
C.h. flow group and three way diverter valve



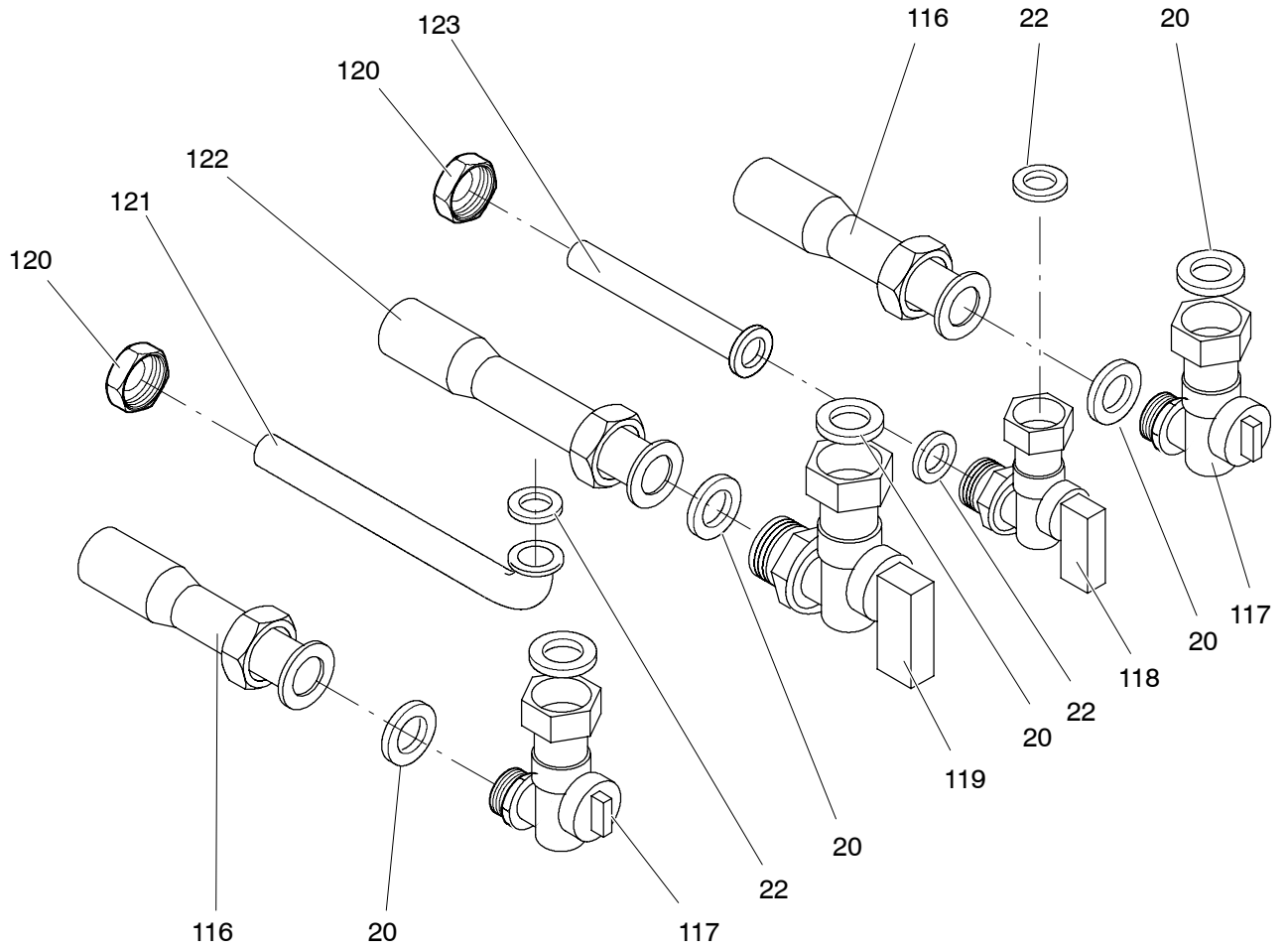
* Includes items 40, 45, 48, 51, 59

** Includes items 62, 39, 48, 51, 56, 59

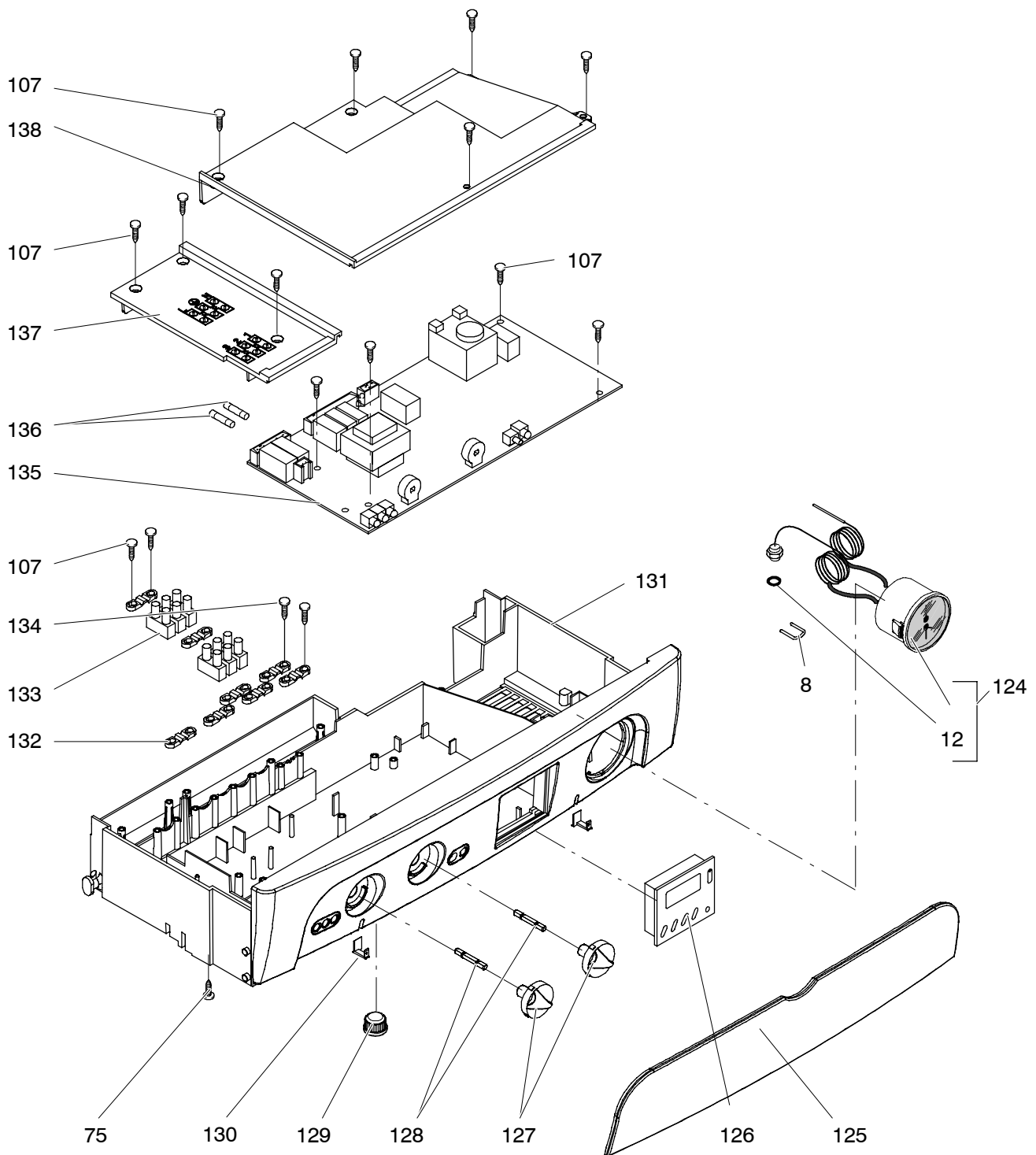
Gas assembly



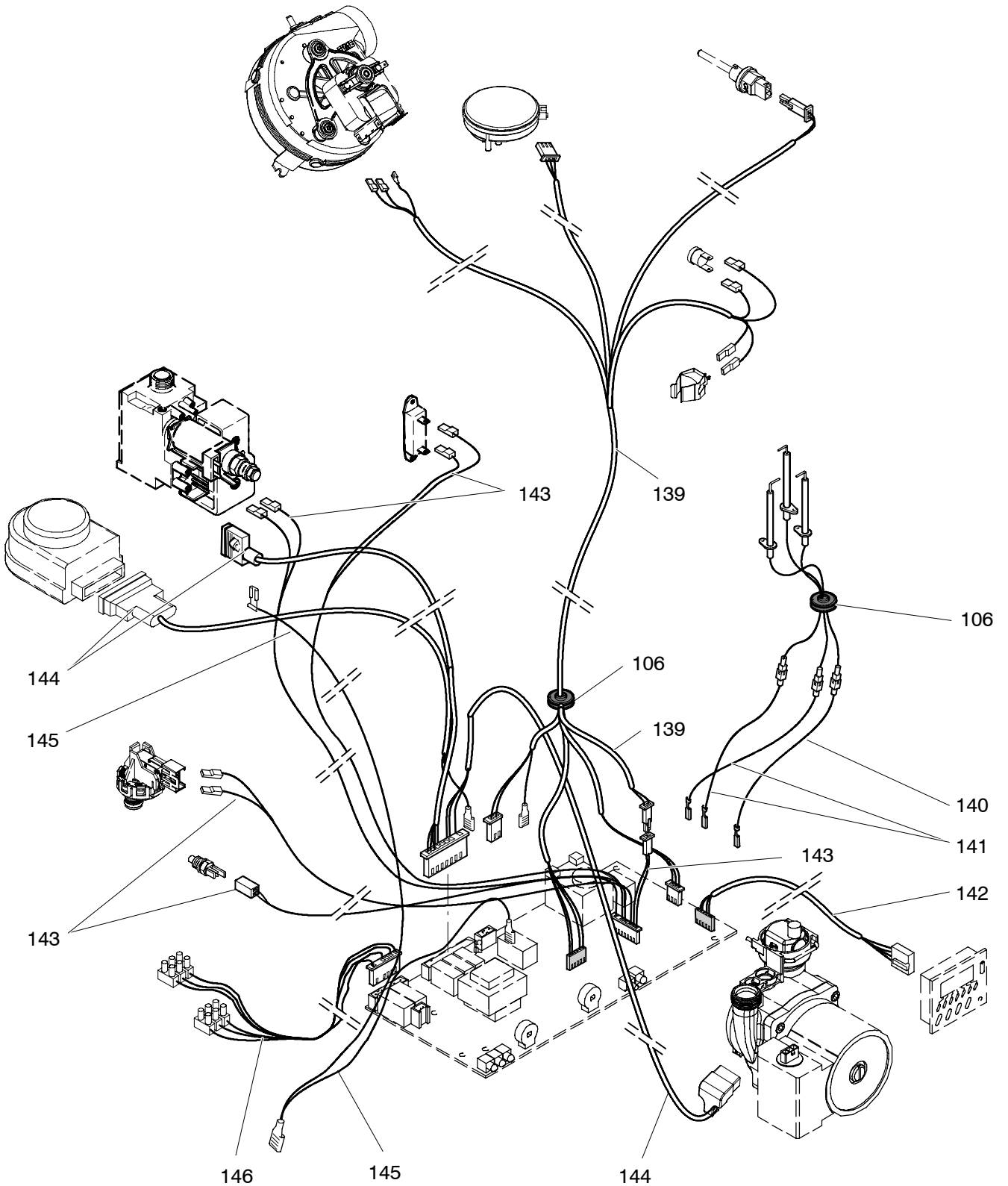
Valves and connection pipes



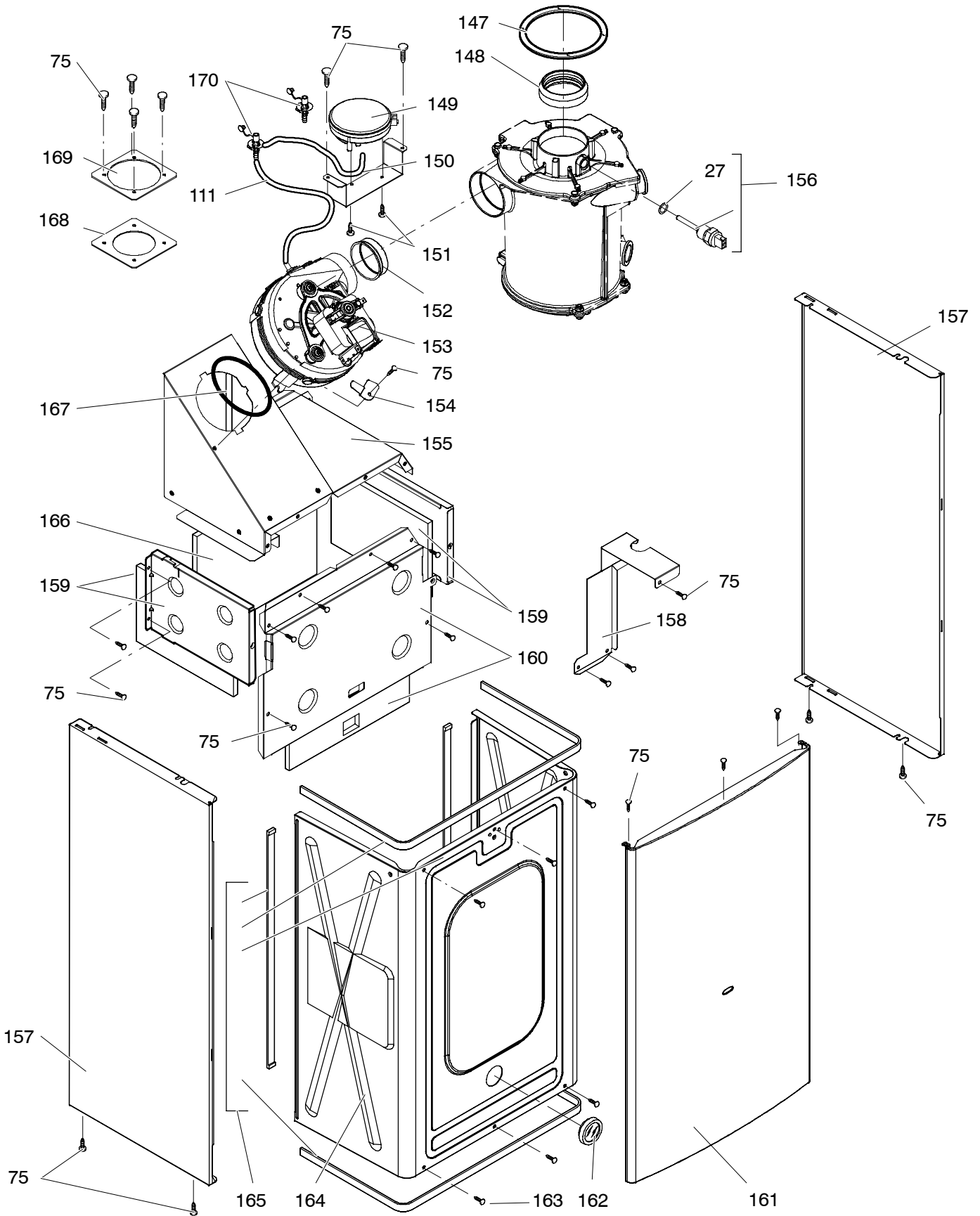
Control panel and ignition device



Wiring



Fan, combustion chamber and case panels



DRAFT BRITISH GAS PART LIST

Date _____
 Sheet 1 of 8
 Manufacturer Biasi SpA – Italy
 Appliance(s) M96A.24SM/C, M96A.28SM/C
 GC Appliance Number(s) 47–583–17, 47–583–18
 Contract Name _____
 Telephone Number _____

(a)	(b)	(c)	(d)	(e)	(f)	(g)	(h)	(i)	(j)	(k)
Key no.	GC Part Number	Description	No. Off	Makers part number which have a CG number	Maker's old part number which have since been changed	Maker's new part number which DO NOT have a GC number	M B F	Original Supplier	Original Supplier part number	Retail price excl. VAT
		Position of data badge: inner side of left case panel								
		Instructions booklets set	1			BI1913 513	M			
1	E23–759	Safety valve connection	1	BI1001 127			M			
2	H05–158	Safety valve connection pipe	1	BI1131 106			M			
3	H50–189	Safety valve 3 bar	1	BI1181 100			B	Watts Intermes	3 bar	
4	H50–480	Fork P.18,5	1	BI1181 101			M			
5	H50–481	O–ring gasket 2,62x15,08	1	BI1181 102			M			
6	H50–484	O–ring gasket 1,78x7,66	2	BI1182 108			M			
7	H50–398	Drainage valve	1	BI1181 501			M			
8	H50–473	Fork P.14	4	BI1181 107			M			
9	169–050	O–ring gasket 1,78x2,9	1	KI1043 145			M			
10	H50–488	O–ring gasket 1,78x3,69	1	BI1181 120			M			
11	169–014	O–ring gasket 1,78x6,07	1	KI1002 119			M			
12	E83–144	O–ring gasket 1,78 x 6,75	1	BI1475 119			M			
13	H50–467	O–ring gasket 2,62x17,13	3	BI1181 112			M			
14	169–026	Fork P.20.5	1	KI1031 101			M			
15	H50–487	Pump connection	1	BI1301 102			M			
16	H58–648	Screw M5x55 – Hexagon socket cap	1	BI1301 105			M			
17		O–ring gasket 3x17	2			KI1003 114	M			
18	H50–491	Filling group kit	1	BI1181 507			M			
19	H50–470	Threaded connection c.h.	1	BI1181 114			M			
20	169–033	Flat gasket 3/4"	9	BI1001 108			M			
21	402–325	Screw M6x10 – BZP RPH	2	BI1172 115			F			
22	169–141	Gasket 1/2"	3	BI1001 106			M			
23	H50–468	Threaded connection d.h.w.	1	BI1181 115			M			

CONTINUATION SHEET

Sheet 2 of 8

Appliance number(s) 47-583-17, 47-583-18

(a)	(b)	(c)	(d)	(e)	(f)	(g)	(h)	(i)	(j)	(k)
Key no.	GC Part Number	Description	No. Off	Makers part number which have a CG number	Maker's old part number which have since been changed	Maker's new part number which DO NOT have a GC number	M B F	Original Supplier	Original Supplier part number	Retail price excl. VAT
24	H50-492	Return group kit	1	BI1301 501			M			
25	H50-471	Reed fixing clip	1	BI1181 116			M			
26	H50-478	Return proup plug	1	BI1181 117			M			
27	H50-475	O-ring gasket 1,78x10,82	3	BI1181 110			M			
28	H50-399	Return group kit	1	BI1301 100			M			
29	169-010	D.h.w. flow switch	1	KI1042 107			M			
30	H50-477	Fork P.14	3	BI1181 105			M			
31	E00-668	O-ring gasket 1,78x12,42	1	BI1001 115			M			
32	H50-482	Return proup plug	1	BI1181 104			M			
33	H50-490	Filter	1	BI1181 106			M			
34	169-008	Float	1	KI1042 106			M			
35	H58-649	Flow limiter 10 Litres/min	1	BI1301 103			M			
35 A		Flow limiter 14 Litres/min	1			BI1301 106	M			
36	E00-680	O-ring gasket 2,62x23,47	1	BI1011 107			M			
37	H50-479	Fork P.20	1	BI1181 103			M			
38	H50-400	Magnetic flow switch and filter kit	1	BI1181 500			M			
39	164-036	O-ring gasket 2,62x10,78	1	KI1002 121			M			
40	169-060	O-ring gasket 18,64x3,53	4	KI1043 144			M			
41	E01-204	Exchanger DHW - M96A.24SM/C,	1	BI1001 101			M			
41 A	E01-205	Exchanger DHW - M96A.28SM/C,	1	BI1001 102			M			
42	H58-651	By-pass pipe	1	BI1301 104			M			
43		Flow group kit d.h.w.	1			BI1351 100	M			
44	H20-987	Pump connection fork	1	BI1262 116			M			
45		O-ring gasket 1,9x5,7	1			KI1042 102	M			
46		Temperature probe NTC d.h.w.	1			KI1042 501	M			

CONTINUATION SHEET

Sheet 3 of 8

Appliance number(s) 47-583-17, 47-583-18

(a)	(b)	(c)	(d)	(e)	(f)	(g)	(h)	(i)	(j)	(k)
Key no.	GC Part Number	Description	No. Off	Makers part number which have a CG number	Maker's old part number which have since been changed	Maker's new part number which DO NOT have a GC number	M B F	Original Supplier	Original Supplier part number	Retail price excl. VAT
47		Screw M5x35 – Hexagon socket cap	1			BI1351 101	F			
48		O–ring gasket 2,62x15,54	2			BI1351 102	M			
49		Flow group kit d.h.w. plug	1			BI1351 103	M			
50		Fork P21,6	2			BI1351 104	M			
51		O–ring gasket 2,62x17,96	3			BI1351 105	M			
52		Threaded connection d.h.w.	1			BI1351 106	M			
53		Tapping screw 5x12	4			BI1351 107	F			
54		Diverter valve actuator	1			BI1351 108	M			
55		Diverter valve kit	1			BI1351 109	M			
56		O–ring gasket 2,62x23,81	2			BI1351 110	M			
57		Diverter valve actuator fixing spring	1			BI1351 111	M			
58		Fork P11	2			BI1351 112	M			
59		O–ring gasket 1,90x8,90	1			BI1351 113	M			
60		Threaded connection c.h.	1			BI1351 114	M			
61		Fork P26	1			BI1351 115	M			
62	H20–981	O–ring gasket 1,9X16	2	BI1262 114			M			
63		Flow group kit c.h.	1			BI1351 116	M			
64		By–pass kit	1			BI1351 117	M			
65		Primary circuit pressure switch	1			BI1351 118	M			
66		Condensing heat exchanger connection clip	2			BI1432 106	M			
67		Condensing heat exchanger outlet pipe	1			BI1442 100	M			
68	H20–970	O–ring gasket 2,62x17,86	2	BI1262 112			M			
69	H20–972	Connection spring	2	BI1262 117			F			
70	169–104	Grommet	4	BI1002 113			M			
71		Condensing heat exchanger inlet pipe	1			BI1442 101	M			

CONTINUATION SHEET

Sheet 4 of 8

Appliance number(s) 47-583-17, 47-583-18

(a)	(b)	(c)	(d)	(e)	(f)	(g)	(h)	(i)	(j)	(k)
Key no.	GC Part Number	Description	No. Off	Makers part number which have a CG number	Maker's old part number which have since been changed	Maker's new part number which DO NOT have a GC number	M B F	Original Supplier	Original Supplier part number	Retail price excl. VAT
72		Condensate discharge pipe	1			BI1442 102	M			
73	169-142	Lock-nut	1	KI1005 107			M			
74		Condensate trap holder bracket	1			BI1442 103	M			
75	409-722	Tapping Screw ISO No8 B 4,2x9,5 Recessed Pan Head	34	BI1013 110			F			
		Hardened Steel BS4174 Bright Zinc plate BS1706 Clear								
		Passivated								
76		Condensate trap	1			BI1442 104	M			
77		Condensate connection hose	1			BI1442 105	M			
78	H20-986	Automatic air purger valve	1	BI1212 107			M			
79	H20-990	Fork	1	BI1262 120			M			
80	H20-992	Screw 5X16	2	BI1262 115			F			
81	H58-670	Pump (complete)	1	BI1911 103			M	Wilo	NFSL12/6HEP1 CRF9 83W	
82	H20-994	Pump (motor)	1	BI1262 119			B			
83	E83-114	Pump gasket	1	BI1172 113			M			
84	H20-945	O-ring gasket 17,04x4,00	5	BI1212 112			M			
85	E94-737	Main exchanger connection clip	1	BI1182 106			M			
86		Spring mounting temperature probe	1			BI1442 106	M			
87	169-025	O-ring gasket 17,04x3,53	1	KI1043 114			M			
88	E83-101	Overheat thermostat	1	BI1172 105			B	Elth	261 105°C	
89	E94-723	Overheat thermostat fixing clip	1	BI1182 100			M			
90	H20-984	Main exchanger M96A.24SM/C	1	BI1262 101			M			
90 A	H45-158	Main exchanger M96A.28SM/C	1	BI1262 130			M			
91		Main exchanger outlet pipe	1			BI1442 110	M			
92	169-045	Probe holder	1	BI1105 108			M			
93	H63-536	Expansion vessel connection pipe	1	BI1432 110			M			

CONTINUATION SHEET

Sheet 5 of 8

Appliance number(s) 47-583-17, 47-583-18

(a)	(b)	(c)	(d)	(e)	(f)	(g)	(h)	(i)	(j)	(k)
Key no.	GC Part Number	Description	No. Off	Makers part number which have a CG number	Maker's old part number which have since been changed	Maker's new part number which DO NOT have a GC number	M B F	Original Supplier	Original Supplier part number	Retail price excl. VAT
94	H03-727	Flat gasket 3/8" O.D 15 mm, i.d. 8.5 mm	2	BI1202 105			M			
95	E83-121	Expansion vessel	1	BI1172 103			B	CIMM Srl - Castello di Godego Italy	CP387 6L	
								Zilmet - Italy (alternative)	13C0000600	
96		Screw M5x16 mm Hexagon head	1			BI1442 112	F			
97		Condensing heat exchanger bottom cover	1			BI1442 109	M			
98		Condensing heat exchanger gasket	1			BI1442 108	M			
99		Flanged nut M5 Hexagon	1			BI1442 111	F			
100		Condensing heat exchanger	1			BI1442 107	M			
101	169-069	Injectors with gaskets 130 - NG	14	KI1064 505			B	Polidoro		
101 A	169-070	Injectors with gaskets 77 - LPG	14	KI1064 506			B	Polidoro		
102	173-148	Burner M96A.24SM/C	1	KI1004 102			B	Polidoro		
102 A	173-149	Burner M96A.28SM/C	1	KI1004 147			B	Polidoro		
103	E83-122	Detection electrode	1	BI1123 102			M			
104	E83-126	Ignition electrode - right	1	BI1123 103			M			
105	E83-127	Ignition electrode - left	1	BI1123 101			M			
106	169-125	Grommet	1	BI1002 115			M			
107	409-736	Tapping screw 3,5x9,5 recessed pan head	28	BI1013 115			F			
108	409-531	Taptite screw M4x8 Recessed pan head Hardened steel	4	BI1013 111			F			
		Bright Zinc Plated BS3382 Clear passivated and lanolin								
		Dipped								
109		Compensating pressure sampling terminal	1			BI1213 105	M			
110		Air deflector	1			BI1213 104	M			
111	E83-188	Venturi device tube	1	BI1256 101			M			
112	402-124	Machine Screw M4x8 mm Recessed pan head Mild steel	2	BI1013 114			F			
		BS4183 Bright zinc plate BS3382 Clear passiv.								

CONTINUATION SHEET

Sheet 6 of 8

Appliance number(s) 47-583-17, 47-583-18

(a)	(b)	(c)	(d)	(e)	(f)	(g)	(h)	(i)	(j)	(k)
Key no.	GC Part Number	Description	No. Off	Makers part number which have a CG number	Maker's old part number which have since been changed	Maker's new part number which DO NOT have a GC number	M B F	Original Supplier	Original Supplier part number	Retail price excl. VAT
113	H03-746	Gas valve	1	BI1193 105			B	Sit	0.845.083	
113 A	H08-602	Gas valve on-off operator coils		BI1093 107			B	Sit	0.967.158	
114	H21-019	Gas pipe to the manifold	1	BI1213 100			M			
115	E83-131	Gas manifold with injectors NG M96A.24SM/C	1	BI1183 103			B	Polidoro		
115 A	E83-132	Gas manifold with injectors LPG M96A.24SM/C	1	BI1183 104			B	Polidoro		
115 B	E83-133	Gas manifold with injectors NG M96A.28SM/C	1	BI1183 105			B	Polidoro		
115 C	E83-134	Gas manifold with injectors LPG M96A.28SM/C	1	BI1183 106			B	Polidoro		
116	H21-025	C.h. connection pipe	2	BI1124 100			M			
117	E83-136	Tap 3/4" - c.h.	2	BI1084 105			B			
118	E83-137	Tap 1/2" - d.h.w.	1	BI1084 101			B			
119	E83-138	Tap 3/4" - gas	1	BI1084 100			B			
120	E01-226	Nut 1/2"	2	BI1004 101			M			
121	H21-027	Pipe 15 mm dia (bent) d.h.w.	1	BI1124 102			M			
122	E05-387	Pipe 22 mm dia gas	1	BI1014 112			M			
123	H21-030	Pipe 15 mm dia (straight) d.h.w.	1	BI1124 103			M			
124	E83-145	Temperature-pressure gauge	1	BI1475 108			M			
125		Cover panel M96A.24SM/C, M96A.28SM/C	1			BI1605 108	M			
126	E94-738	Time switch M96A.24SM/C, M96A.28SM/C	1	BI1525 101			B	Flash	Monotron 200 23011	
127	H27-577	Knob M96A.24SM/C, M96A.28SM/C	2	BI1605 106			M			
128	E83-149	Shaft	2	BI1475 105			M			
129	E83-150	Control panel plug	1	BI1475 110			M			
130	H27-578	Hinge plugs (couple)	2	BI1605 107						
131		Control panel box M96A.24SM/C, M96A.28SM/C	1			BI1715 103	M			
132	E83-152	Cable holder.	10	KI1066 208			B	Fastpoint S.r.l.	1207.BB01 XS	

CONTINUATION SHEET

Sheet 7 of 8

Appliance number(s) 47-583-17, 47-583-18

(a)	(b)	(c)	(d)	(e)	(f)	(g)	(h)	(i)	(j)	(k)
Key no.	GC Part Number	Description	No. Off	Makers part number which have a CG number	Maker's old part number which have since been changed	Maker's new part number which DO NOT have a GC number	M B F	Original Supplier	Original Supplier part number	Retail price excl. VAT
133	E83-153	Terminal block	2	BI1475 109			B	Elettrogibi	PA27	
								Odoardo Korner (alternative)	OK-433-FV	
134	409-727	Screw 3,5x16 mm self tap RPH	8	BI1165 101			F			
135		Electronic control - ignition p.c.b.	1			BI2015 100	M			
136	H44-170	Fuse 3,15AF	2	BI1295 108			B			
137	E83-155	Service panel cover	1	BI1475 111			M			
138	E83-156	Control panel cover	1	BI1475 112			M			
139		Fan cable	1			BI2025 100	M			
140		Flame detection electrode cable	1			BI1765 115	M			
141	H32-570	Ignition electrode cable	2	BI1765 102			M			
142		Time switch cable	1			BI2025 102	M			
143		Flow switches, temp. probes and modulator cable	1			BI2025 101	M			
144		Pump-diverter valve-gas valve cable	1			BI2025 103	M			
145		Earth wiring	1			BI1765 121	M			
146	H39-041	Power supply and external control cable	1	BI1675 106			M			
147	169-110	Flue pipe gasket	1	BI1016 104			M			
148		Flue outlet gasket	1			BI1536 101	M			
149		Air pressure sensor	1			BI1536 103	B	Huba Control	401.93000	
150	E01-187	Flue pressure switch tube	1	BI1016 107			M			
151	E23-759	Screw 2,9x4,5 Recessend Pan Head Hardened Steel	2	BI1002 127			F			
		BS4174 Bright Zinc plate BS1706 Clear Passivated								
152		Fan outlet gasket	1			BI1536 102	M			
153		Fan M96A.24SM/C	1			BI1536 105	B	FIME	GR03630 47W	
153 A		Fan M96A.28SM/C	1			BI1536 106	B	FIME	GR03625 60W	
154		Fan holder bracket	1			BI1536 107	M			

CONTINUATION SHEET

Sheet 8 of 8

Appliance number(s) 47-583-17, 47-583-18

(a)	(b)	(c)	(d)	(e)	(f)	(g)	(h)	(i)	(j)	(k)
Key no.	GC Part Number	Description	No. Off	Makers part number which have a CG number	Maker's old part number which have since been changed	Maker's new part number which DO NOT have a GC number	M B F	Original Supplier	Original Supplier part number	Retail price excl. VAT
155		Flue hood M96A.24SM/C	1			BI1536108	M			
155	A	Flue hood M96A.28SM/C	1			BI1536 109	M			
156		Flue temperature probe NTC	1			BI1536 104	M			
157	H21-052	Side case panel M96A.24SM/C, M96A.28SM/C	2	BI1406 106			M			
158		Air deflector - right	1			BI1536 112	M			
159	E83-178	Combustion chamber side panel	2	BI1326 100			M			
160		Combustion chamber front panel M96A.24SM/C	1			BI1536 110	M			
160	A	Combustion chamber front panel M96A.28SM/C	1			BI1536 111	M			
161		Front case panel M96A.24SM/C, M96A.28SM/C	1			BI1416 102	M			
162	E69-243	Window (glass + rubber frame)	1	BI1206 118			M			
163	409-747	Screw 4,8x13 mm AB self tapping RPH BZP	4	BI1336 114			F			
164	H21-059	Sealed chamber lid	1	BI1406 105			M			
165	H21-060	Sealed chamber gaskets kit	1	BI1406 500			M			
166	E83-180	Combustion chamber rear panel M96A.24SM/C	1	BI1326 107			M			
166	A E83-181	Combustion chamber rear panel M96A.28SM/C	1	BI1326 108			M			
167	H21-063	Fan inlet gasket	1	BI1406 111			M			
168	H21-070	Air restrictor d. 50	1	BI1406 115			M			
168	A H21-071	Air restrictor d. 55	1	BI1406 116			M			
169	E01-184	Gasket - Air intake twin kit	1	BI1016 101			M			
170		Air switch pressure test point	2			BI1536 100	M			